

**SC501MF1.5T-IE2 - SC501MF2.2T-IE2**  
**SC501MF1.5M**



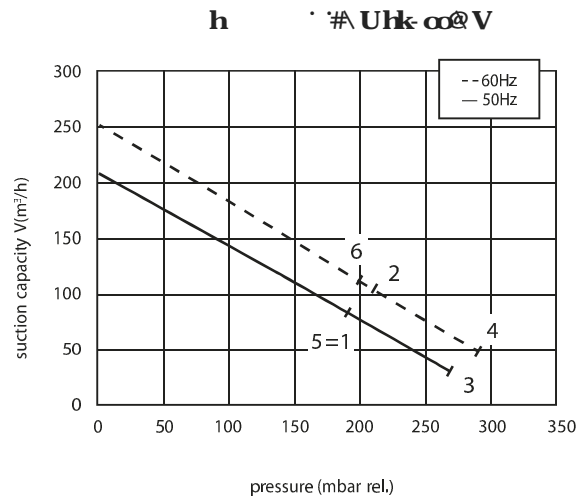
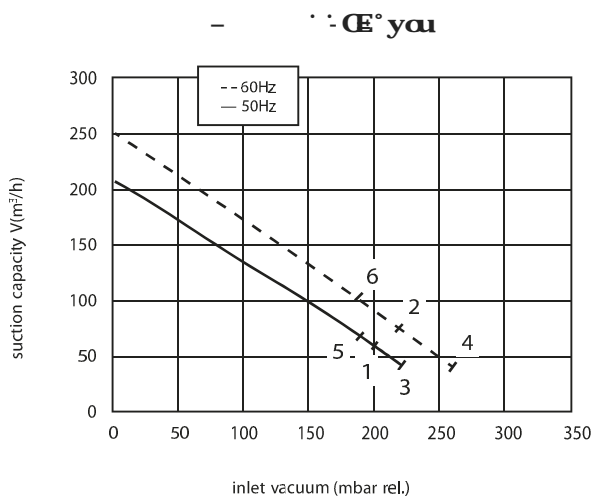
Ook leverbaar in ATEX uitvoering  
Also available in ATEX version



De constructie van de ringventilatoren is gebaseerd op het principe van de zijkanalen. De ventilatoren kunnen zowel als afzuig- of als compressieventilator werken en zijn ontworpen voor continu gebruik. Het apparaat wordt direct op de motoras gemonteerd. Alle draaiende delen zijn dynamisch uitgebalanceerd om absolute afwezigheid van trillingen te garanderen. Volledig gegoten aluminium constructie voor maximale stevigheid en gebruiksgemak.

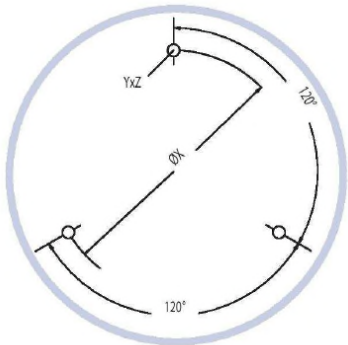
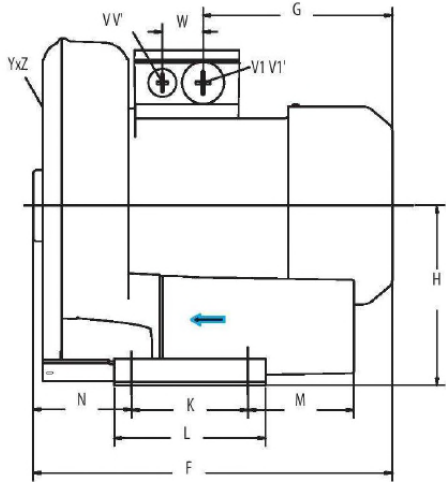
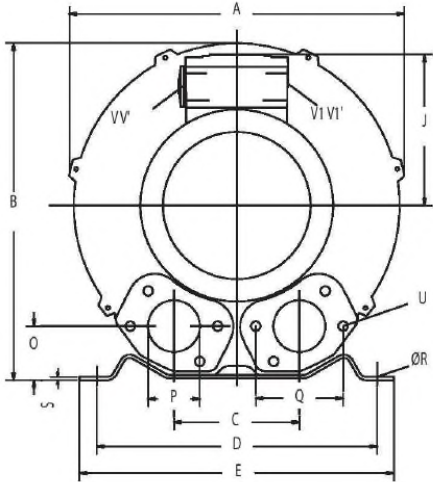
Construction of the ring blowers fans is based on the lateral ducts principle. The blowers can operate as either exhaust or compression fans and are designed for continuous service. The device is assembled directly on the motor shaft. All the rotating parts are dynamically balanced to ensure absolute absence of vibration. Full die-cast aluminium construction for maximum sturdiness and ease of handling.

Curve n.	Model n.	Frequency (Hz)	Output power (kW)	Voltage (V)	Rated current (A)	Noise dB (A)	Weight (Kg)
1	SC501MF1.5T-IE2	50	1.5	230/400	6.15 Δ/3.56Y	64	21
2	SC501MF1.5T-IE2	60	1.75	260/460	6.31 Δ/3.65Y	70	21
3	SC501MF2.2T-IE2	50	2.2	230/400	8.16Δ/4.73Y	64	25
4	SC501MF2.2T-IE2	60	2.55	260/460	7.62 Δ/4.40Y	70	25
5	SC501MF1.5M	50	1.5	230	9	64	24
6	SC501MF1.5M	60	1.75	230	9.5	70	24



The characteristic data given here refer to the handling of gas with inlet temperature of 15° C, normal density of 1,23 kg/m<sup>3</sup> and absolute pressure of 1.013 mbar. Tolerance of ±10%. The data may change without any notification.

Dimensions = mm



	Phase	A	B	C	D	E	F	G	H	J	K	L	M	N	O	P	Q	ØR	S	U	V	V'	V1	V1'	YxZ	X-holes	ØX
SC501MF1.5M	1	334	337	120	260	295	346	191	175	128	115	155	96	87	48	G2"	83	14	4	M8 X 17	M16 X 1.5	M25 X 1.5	M25 X 1.5	M16 X 1.5	M8 x 20	0°/120°/240°	Ø200
SC501MF1.5T-IE2	3	334	337	120	260	295	346	191	175	128	115	155	96	87	48	G2"	83	14	4	M8 X 17	M16 X 1.5	M25 X 1.5	M25 X 1.5	M16 X 1.5	M8 x 20	0°/120°/240°	Ø200
SC501MF2.2T-IE2	3	334	337	120	260	295	346	191	175	128	115	155	96	87	48	G2"	83	14	4	M8 X 17	M16 X 1.5	M25 X 1.5	M25 X 1.5	M16 X 1.5	M8 x 20	0°/120°/240°	Ø200