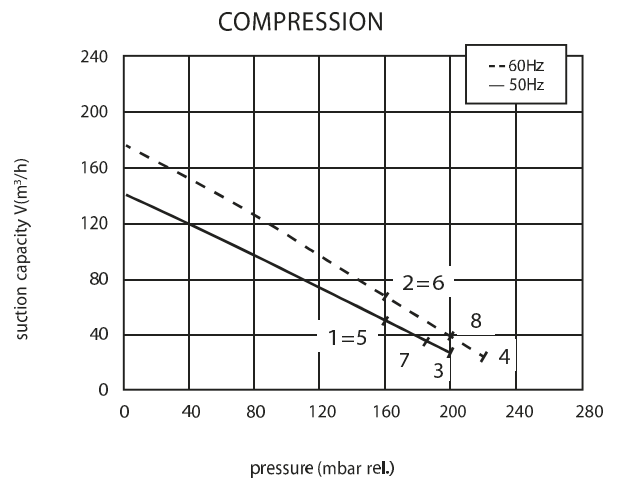
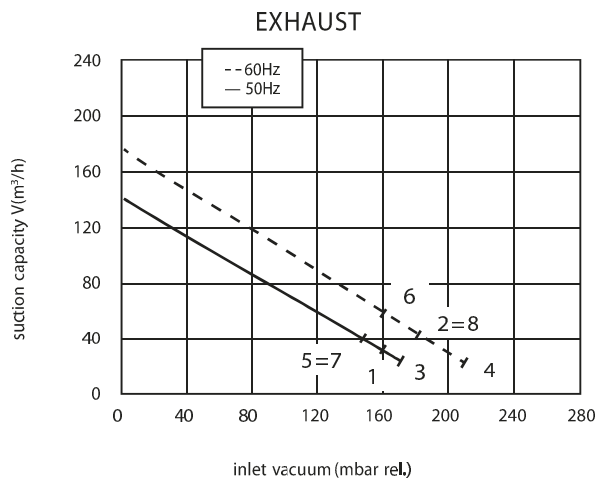


SC401MF0.85T-IE2 - SC401MF0.85M
SC401MF1.3T-IE2 - SC401MF1.3M



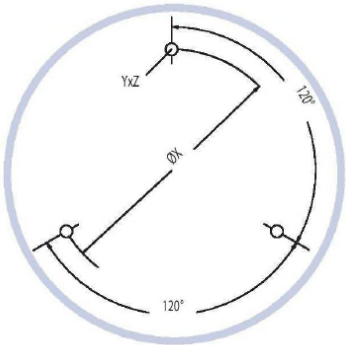
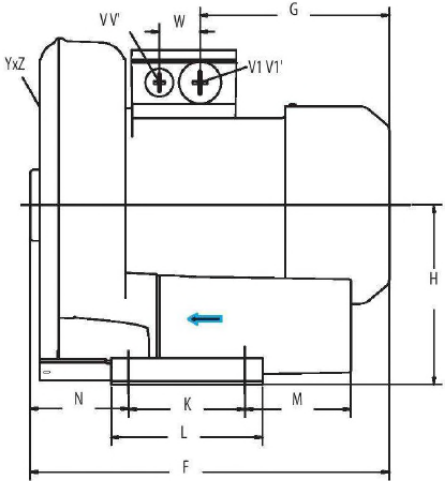
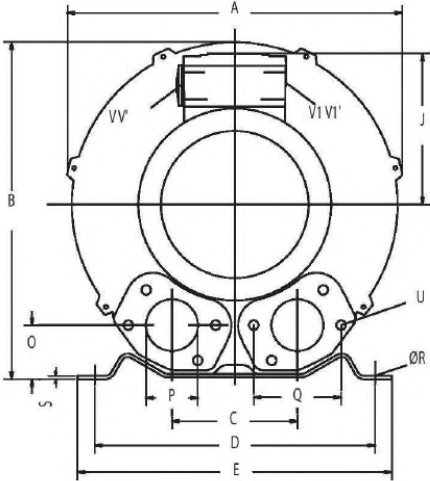
Construction of the ring blowers fans is based on the lateral ducts principle. The blowers can operate as either exhaust or compression fans and are designed for continuous service. The device is assembled directly on the motor shaft; all the rotating parts are dynamically balanced to ensure absolute absence of vibration. Full die-cast aluminium construction for maximum sturdiness and ease of handling.

Curve n.	Model n.	Frequency (Hz)	Output power (kW)	Voltage (V)	Rated current (A)	Noise dB (A)	Weight (Kg)
1	SC401MF0.85T-IE2	50	0.85	230/400	3.51Δ/2.03Y	63	15
2	SC401MF0.85T-IE2	60	0.95	260/460	3.33 Δ/1.93Y	64	15
3	SC401MF1.3T-IE2	50	1.3	230/400	5.16 Δ/2.99Y	63	16
4	SC401MF1.3T-IE2	60	1.5	260/460	4.67 Δ/2.70Y	64	16
5	SC401MF0.85M	50	0.85	230	5	63	16
6	SC401MF0.85M	60	0.95	230	5.8	64	16
7	SC401MF1.3M	50	1.3	230	7.3	63	17
8	SC401MF1.3M	60	1.5	230	7.8	64	17



The characteristic data given here refer to the handling of gas with inlet temperature of 15° C, normal density of 1,23 kg/m³ and absolute pressure of 1.013 mbar. Tolerance of ±10%. The data may change without any notification.

Dimensions = mm



	Phase	A	B	C	D	E	F	G	H	J	K	L	M	N	O	P	Q	ØR	S	U	V	V'	V1	V1'	YxZ	X-holes	ØX
SC401MF0.85M	1	285	302	115	225	255	294	160	154	120	95	130	70	75	46	G1" ½	72	12	3	M6x19	M16x1.5	M25x1.5	M25x1.5	M16x1.5	M6x15	0°/120°/240°	Ø174
SC401MF1.3M	1	285	302	115	225	255	294	160	154	120	95	130	70	75	46	G1" ½	72	12	3	M6x19	M16x1.5	M25x1.5	M25x1.5	M16x1.5	M6x15	0°/120°/240°	Ø174
SC401MF0.85T-IE2	3	285	302	115	225	255	292	160	154	120	95	130	70	75	46	G1" ½	72	12	3	M6x19	M16x1.5	M25x1.5	M25x1.5	M16x1.5	M6x15	0°/120°/240°	Ø174
SC401MF1.3T-IE2	3	285	302	115	225	255	292	160	154	120	95	130	70	75	46	G1" ½	72	12	3	M6x19	M16x1.5	M25x1.5	M25x1.5	M16x1.5	M6x15	0°/120°/240°	Ø174