

Specifications



Housings: PP



Single block strong high density UV treated and recyclable polypropylene (PPH) with no welded joint. Reversible and rotatable to any the 8 standard discharge positions by 45° increments. All fan mounting hardware in stainless steel.

Wheels: PP



Forward curved centrifugal type impeller made, of injection molded PPH. Fan wheel supplied with hub cap constructed of PPH. Wheels electronically and dynamically balanced to ISO 1940.

Motors



Direct drive, asynchronous, single or three phase, IP55. Single speed: three phase 230/400 V-50/60Hz, single phase 230V-50Hz. Explosion proof motors available on request. Motor is outside the airstream. Three phase motors speed adjustable by variable frequency inverter drive.



(1)



(2)

Motor Support

Several options: no stand, metal stand constructed of epoxy coated sheet metal⁽¹⁾, polypropylene motor pedestal⁽²⁾.



ATEX

SEAT Series Fans are also available in ATEX Zone II, known outside Europe as explosion proof, category 3 G execution in accordance with ATEX directive 94/9/CE. ATEX declaration of conformity available on our web site www.seat-ventilation.com. The performances curves of explosion proof fans are identical with the ones of the standard version.

Temperature resistance

PPH casing and wheel recommended up to 60°C.

Performance

Fan performance based on tests conducted in accordance with AMCA 210-85 and ISO 5801.

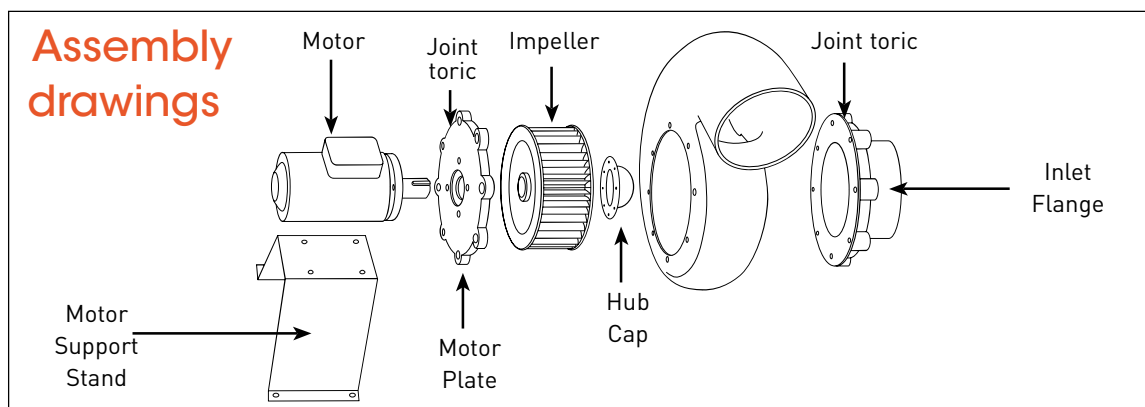
Electrical data and weight*

	RPM (T/min)	(kW)	(V)	AMP draw (A)	Weight (Kgs)	Reference
Single phase						
SEAT 15	1500	0,25	230	2,5	8,30	51152010
	3000	0,37	230	3,1	8,10	51153010
SEAT 20	1500	0,25	230	2,5	9,00	51202010
	3000	0,75	230	5,4	10,50	51203010
SEAT 25	1500	0,37	230	3,1	11,90	51252010
SEAT 30	1500	1,10	230	9,7	13,90	51302010
Three Phase						
SEAT 15	1000	0,18	230/400	1,5/0,85	8,30	51151000
	1500	0,25	230/400	1,3/0,75	7,70	51152000
	3000	0,37	230/400	1,7/1,00	8,00	51153000
SEAT 20	1000	0,18	230/400	1,5/0,85	9,70	51201000
	1500	0,25	230/400	1,3/0,75	9,00	51202000
	3000	0,75	230/400	3,2/1,9	11,40	51203000
SEAT 25	3000	1,10	230/400	4,7/2,7	15,90	51203001
	1000	0,18	230/400	1,5/0,85	11,40	51251000
	1500	0,37	230/400	2,1/1,2	11,50	51252000
	1500	0,55	230/400	3/1,8	12,30	51252055
	3000	1,50	230/400	5,9/3,4	22,10	51253001
SEAT 30	3000	2,20	230/400	8,8/5,1	23,90	51253000
	3000	3,00	230/400	10/3,6	36,00	51253007
	1000	0,55	230/400	3/1,8	19,60	51301000
SEAT 35	1500	1,10	230/400	4,7/2,7	23,70	51302000
	1000	2,20	230/400	9,6/5,5	43,20	51351000
SEAT 35	1500	5,50	230/400	20,8/11,9	53,00	51352000
	1500	4,00	230/400	14,8/8,5	43,60	51352400
SEAT 50	1200	4,00	690/400	9,5/5,5	215,00	51501000

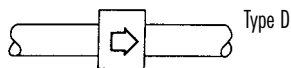
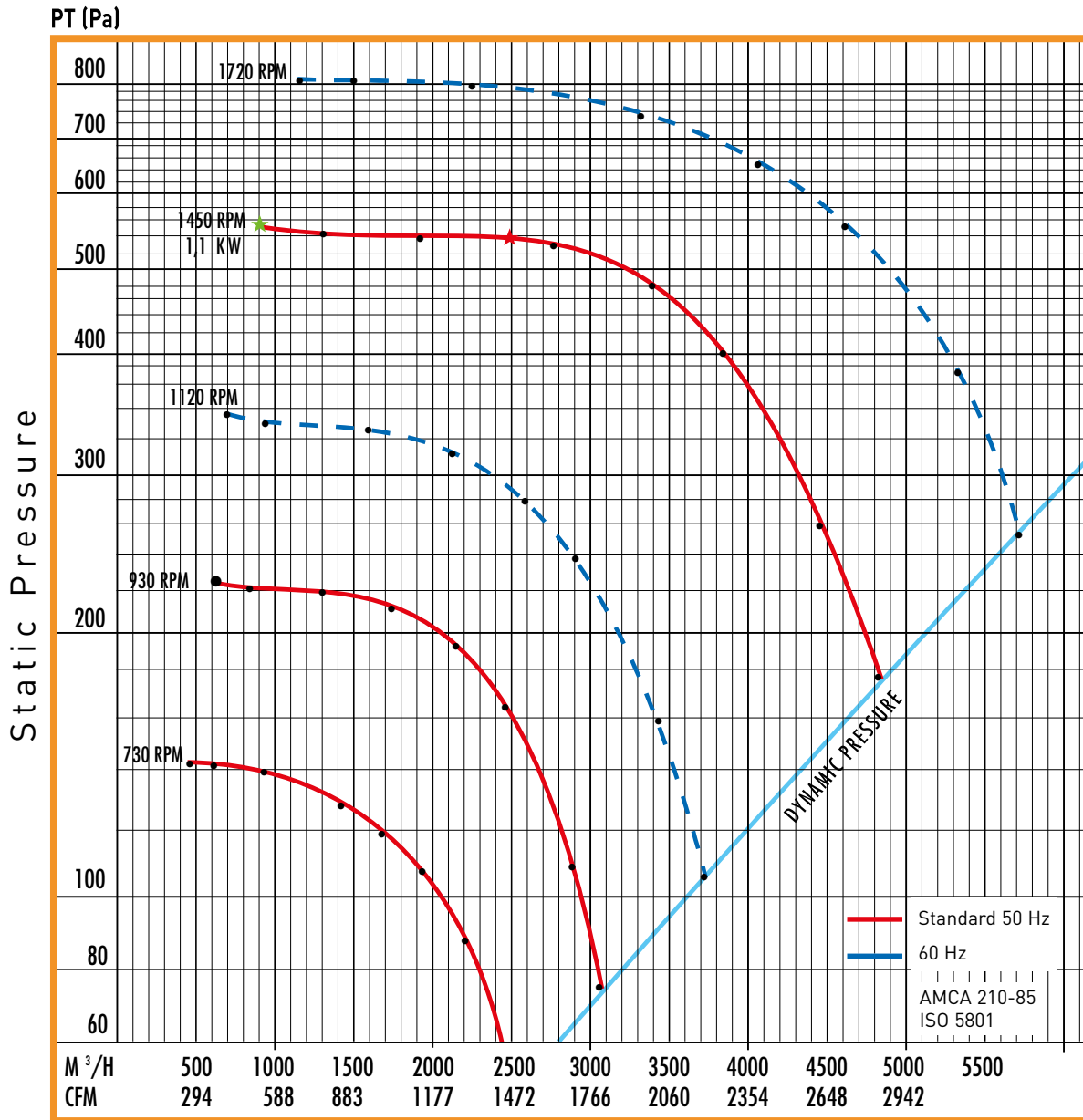


ATEX						
SEAT 15 ATEX	1500	0,18	230/400	0,97/0,56	11,30	51152003
	3000	0,37	230/400	1,64/0,95	10,20	51153003
SEAT 20 ATEX	1500	0,18	230/400	0,97/0,56	9,70	51202003
	3000	0,75	230/400	3,3/1,9	13,20	51203003
SEAT 25 ATEX	1000	0,18	230/400	1,06/0,61	12,80	51251003
	1500	0,37	230/400	1,7/1,1	12,80	51252003
SEAT 30 ATEX	3000	2,20	230/400	8/4,6	22,60	51253003
	1500	1,10	230/400	5,7/3,3	20,60	51302003
SEAT 35 ATEX	1000	2,20	230/400	10/5,7	45,10	51351003
	1500	5,50	230/400	19,2/11	55,60	51352003

*Tabulated current values are approximate and depend on make and model of the motor.

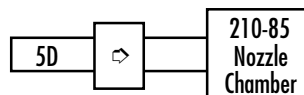


SEAT 30



Ducted inlet/Ducted outlet
Casing noise

R.P.M.	dB (A)
715	40
950	46
1435	63



Type B
Ducted outlet

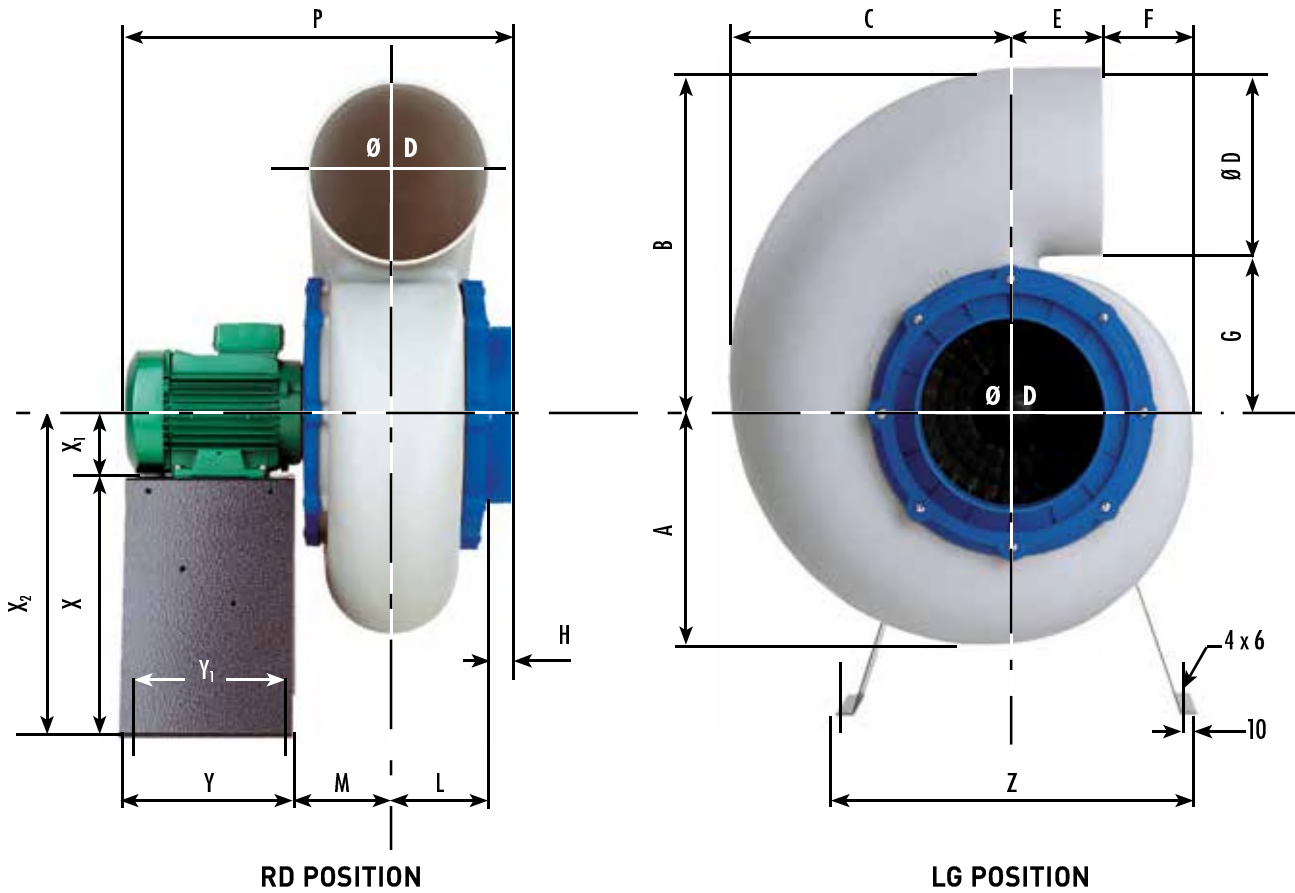
R.P.M.	dB(A)	dB
715	59	67
950	66	73
★ 1450	78	82

Noise ratings in accordance with ISO 5801.
Visit our website for details.

Noise level in octaves (dB)

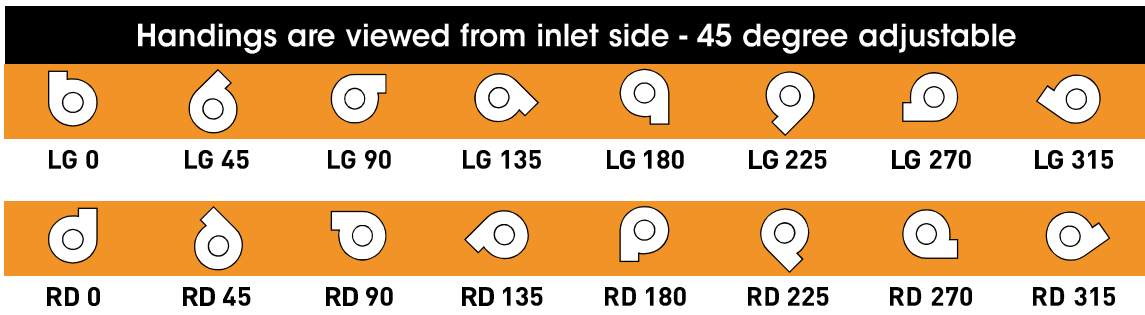
Freq. Octave Hz	1450 R.P.M. ★ 900 m ³ /h	1450 R.P.M. ★ 2500 m ³ /h
125	75,1	60,6
250	76,5	68,5
500	76,9	75,5
1000	73,2	74,2
2000	68,5	71
4000	63,9	66,7

SEAT 30

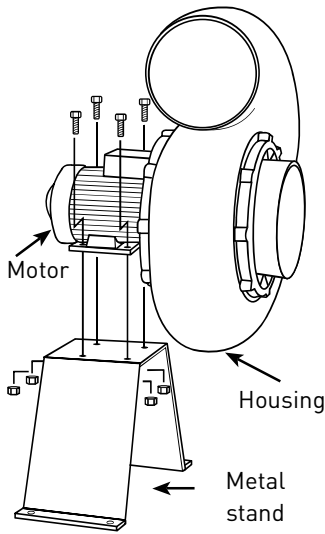


**Dimensional data (mm) - Metal stand does not come standard with fan (see accessories pricing).
The motor frame size may vary upon type of motor used.**

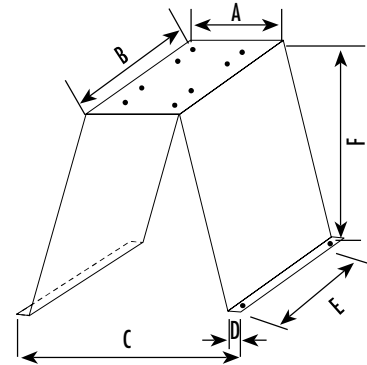
RPM	A	B	C	Ø D	E	F	G	H	L	M	P	Y	Y ₁	Z	X	X ₁	X ₂
930	300	450	373	250	117	112	198	35	110	120	510	240	220	460	370	80	450
1450	300	450	373	250	117	112	198	35	110	120	540	240	220	460	370	90	460



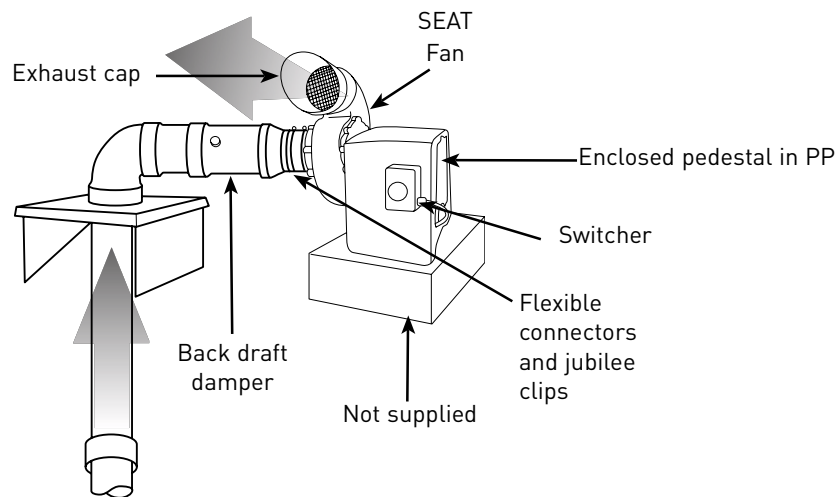
Metal stand



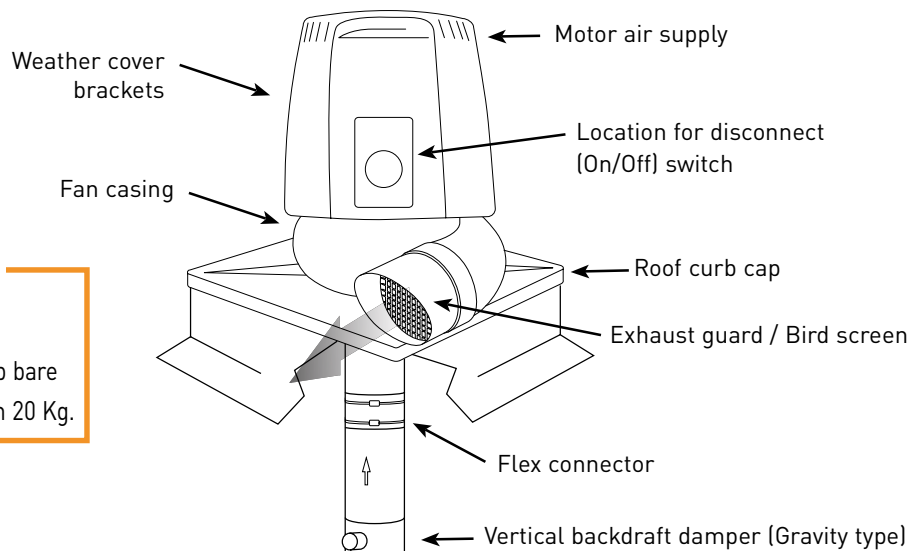
Dimensions (mm)						
Fan	A	B	C	D	E	F
SEAT 15-20	190	180	320	20	160	240
SEAT 25	190	180	400	20	160	300
SEAT 25 (2P)	190	180	400	20	160	300
SEAT 30	200	240	440	20	220	350
SEAT35	300	350	600	20	310	468



Enclosed pedestal



Roof unit



WARNING

Reinforce the base before placing the roof curb bare for a motor weight more than 20 Kg.