

# Specifications



## Housings: PP



Single block strong high density UV treated and recyclable polypropylene (PPH) with no welded joint. Reversible and rotatable to any the 8 standard discharge positions by 45° increments. All fan mounting hardware in stainless steel.

## Wheels: PP



Forward curved centrifugal type impeller made, of injection molded PPH. Fan wheel supplied with hub cap constructed of PPH. Wheels electronically and dynamically balanced to ISO 1940.

## Motors



Direct drive, asynchronous, single or three phase, IP55. Single speed: three phase 230/400 V-50/60Hz, single phase 230V-50Hz. Explosion proof motors available on request. Motor is outside the airstream. Three phase motors speed adjustable by variable frequency inverter drive.



(1)



(2)

## Motor Support

Several options: no stand, metal stand constructed of epoxy coated sheet metal<sup>(1)</sup>, polypropylene motor pedestal<sup>(2)</sup>.



## ATEX

SEAT Series Fans are also available in ATEX Zone II, known outside Europe as explosion proof, category 3 G execution in accordance with ATEX directive 94/9/CE. ATEX declaration of conformity available on our web site [www.seat-ventilation.com](http://www.seat-ventilation.com). The performances curves of explosion proof fans are identical with the ones of the standard version.

## Temperature resistance

PPH casing and wheel recommended up to 60°C.

## Performance

Fan performance based on tests conducted in accordance with AMCA 210-85 and ISO 5801.

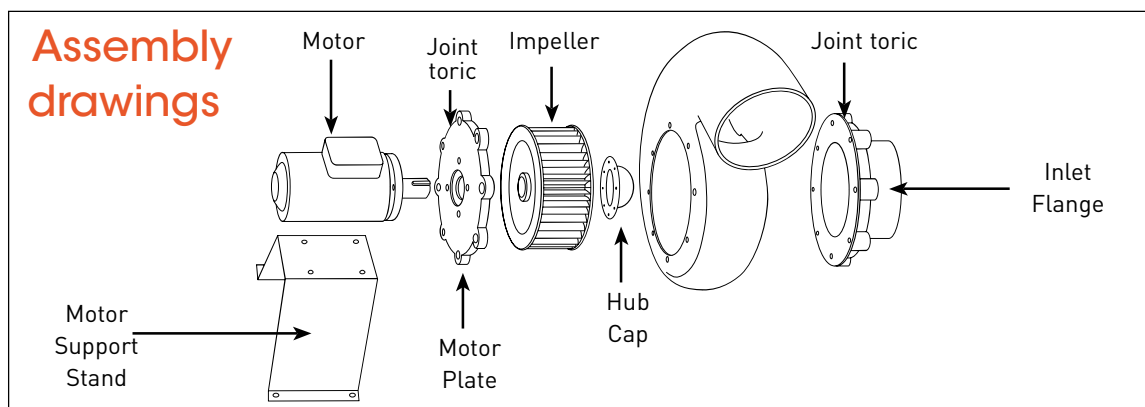
## Electrical data and weight\*

	RPM (T/min)	(kW)	(V)	AMP draw (A)	Weight (Kgs)	Reference
<b>Single phase</b>						
SEAT 15	1500	0,25	230	2,5	8,30	51152010
	3000	0,37	230	3,1	8,10	51153010
SEAT 20	1500	0,25	230	2,5	9,00	51202010
	3000	0,75	230	5,4	10,50	51203010
SEAT 25	1500	0,37	230	3,1	11,90	51252010
SEAT 30	1500	1,10	230	9,7	13,90	51302010
<b>Three Phase</b>						
SEAT 15	1000	0,18	230/400	1,5/0,85	8,30	51151000
	1500	0,25	230/400	1,3/0,75	7,70	51152000
	3000	0,37	230/400	1,7/1,00	8,00	51153000
SEAT 20	1000	0,18	230/400	1,5/0,85	9,70	51201000
	1500	0,25	230/400	1,3/0,75	9,00	51202000
	3000	0,75	230/400	3,2/1,9	11,40	51203000
SEAT 25	3000	1,10	230/400	4,7/2,7	15,90	51203001
	1000	0,18	230/400	1,5/0,85	11,40	51251000
	1500	0,37	230/400	2,1/1,2	11,50	51252000
	1500	0,55	230/400	3/1,8	12,30	51252055
	3000	1,50	230/400	5,9/3,4	22,10	51253001
SEAT 30	3000	2,20	230/400	8,8/5,1	23,90	51253000
	3000	3,00	230/400	10/3,6	36,00	51253007
	1000	0,55	230/400	3/1,8	19,60	51301000
SEAT 35	1500	1,10	230/400	4,7/2,7	23,70	51302000
	1000	2,20	230/400	9,6/5,5	43,20	51351000
SEAT 35	1500	5,50	230/400	20,8/11,9	53,00	51352000
	1500	4,00	230/400	14,8/8,5	43,60	51352400
SEAT 50	1200	4,00	690/400	9,5/5,5	215,00	51501000

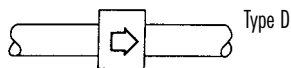
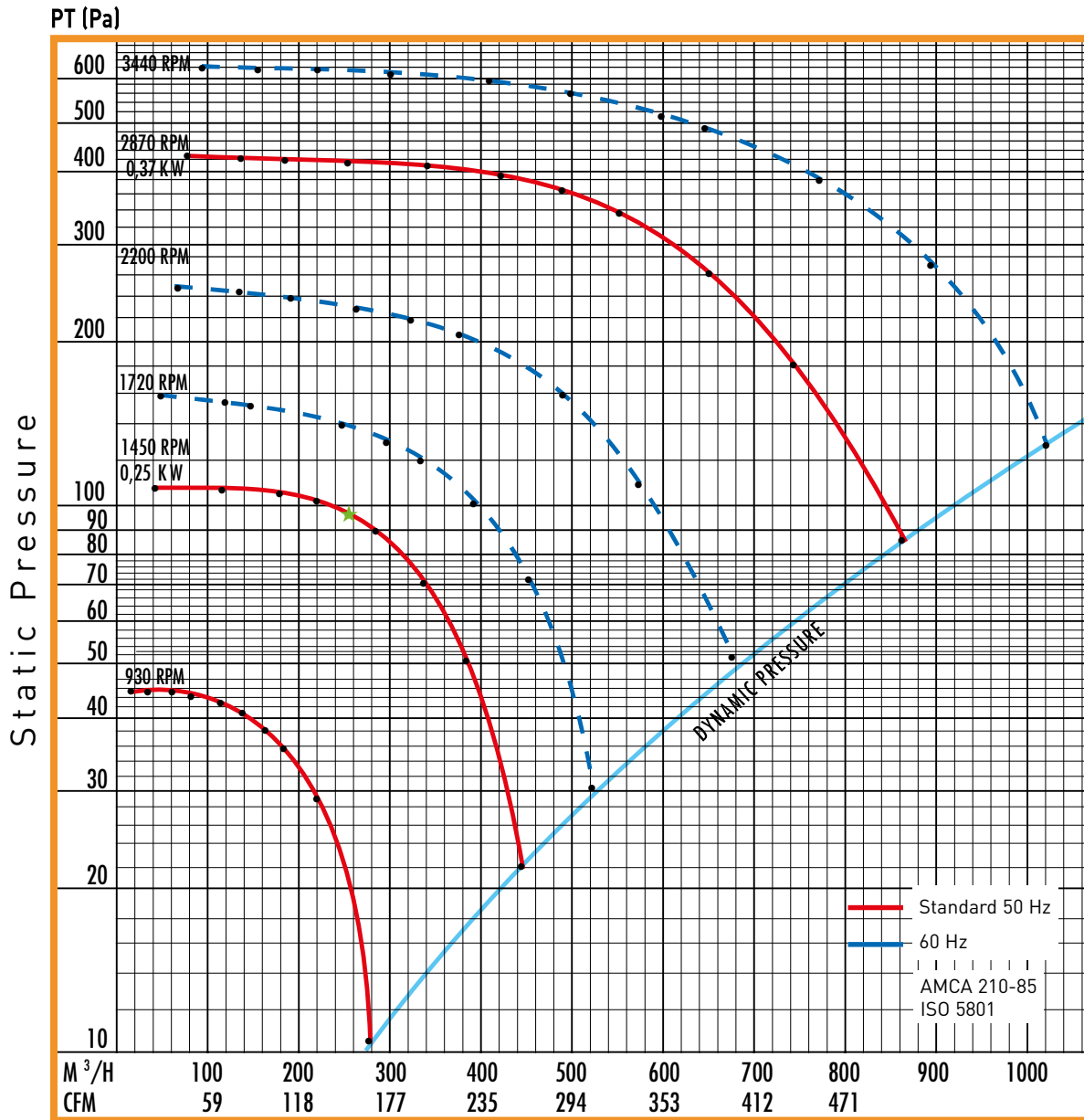


<b>ATEX</b>						
SEAT 15 ATEX	1500	0,18	230/400	0,97/0,56	11,30	51152003
	3000	0,37	230/400	1,64/0,95	10,20	51153003
SEAT 20 ATEX	1500	0,18	230/400	0,97/0,56	9,70	51202003
	3000	0,75	230/400	3,3/1,9	13,20	51203003
SEAT 25 ATEX	1000	0,18	230/400	1,06/0,61	12,80	51251003
	1500	0,37	230/400	1,7/1,1	12,80	51252003
SEAT 30 ATEX	3000	2,20	230/400	8/4,6	22,60	51253003
	1500	1,10	230/400	5,7/3,3	20,60	51302003
SEAT 35 ATEX	1000	2,20	230/400	10/5,7	45,10	51351003
	1500	5,50	230/400	19,2/11	55,60	51352003

\*Tabulated current values are approximate and depend on make and model of the motor.

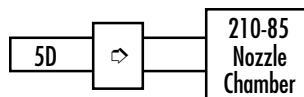


# SEAT 15



Ducted inlet/Ducted outlet  
Casing noise

R.P.M.	dB (A)
1435	49
2870	63



Type B  
Ducted outlet

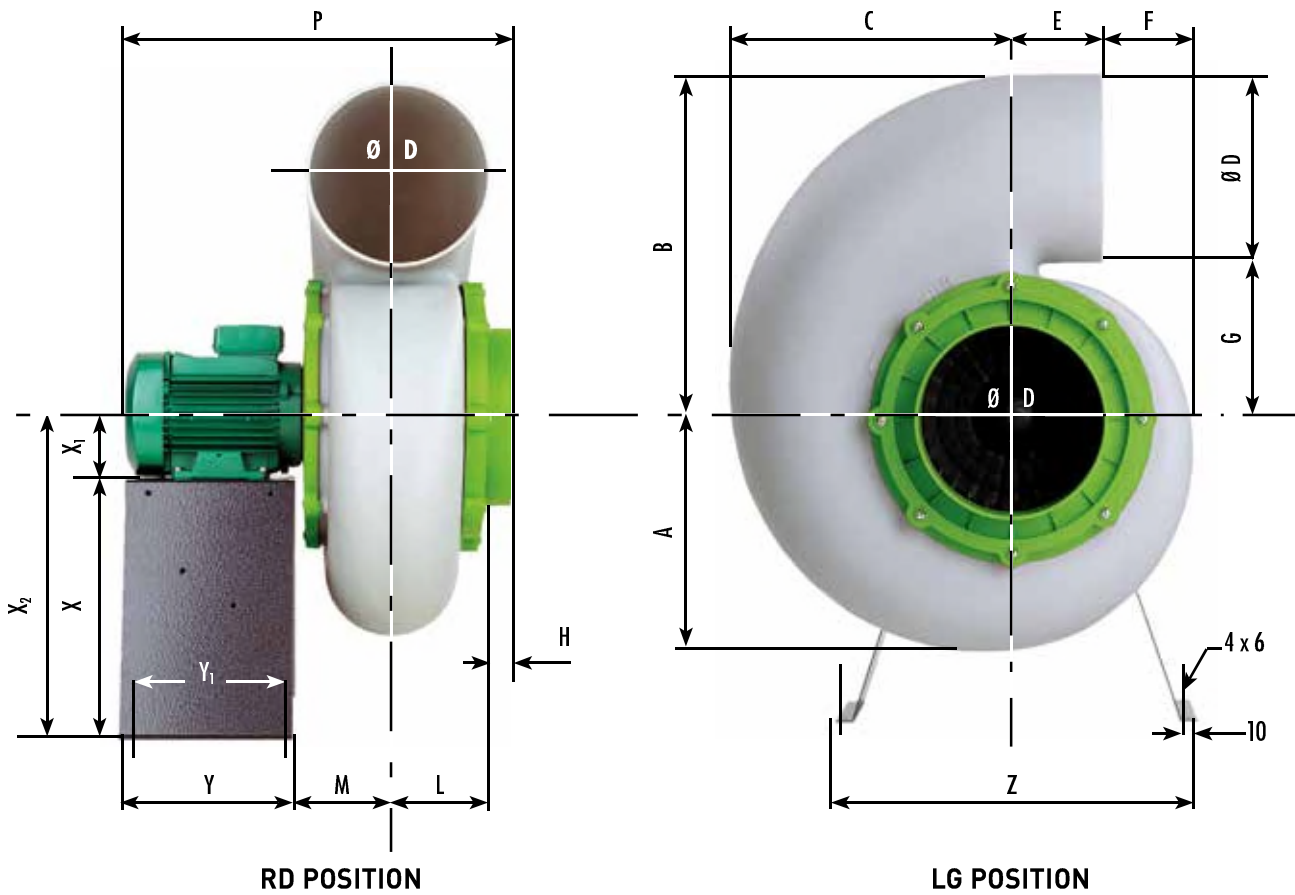
R.P.M.	dB(A)	dB
★ 1450	52	57
2870	70	72

Noise level in octaves (dB)

Freq. Octave Hz	1450 R.P.M. ★ 250 m <sup>3</sup> /h
125	55,3
250	51,7
500	52,1
1000	49,8
2000	41,8
4000	36,9

Noise ratings in accordance with ISO 5801.  
Visit our website for details.

# SEAT 15



















**Dimensional data (mm) - Metal stand does not come standard with fan (see accessories pricing)**

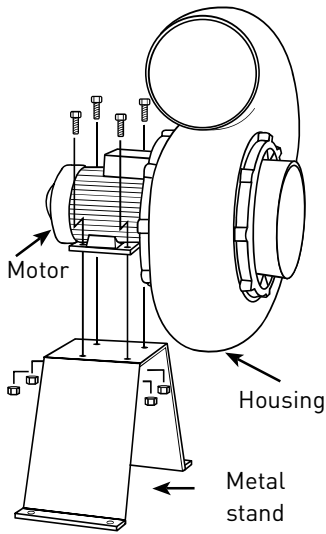
A	B	C	Ø D	E	F	G	H	L	M	P	Y	Y <sub>1</sub>	Z	X	X <sub>1</sub>	X <sub>2</sub>
170	240	203	125	100	32	115	30	70	80	360	180	160	340	240	71	311

WARNING : for an enclosed pedestal mounting, X<sub>2</sub> = 370 mm.

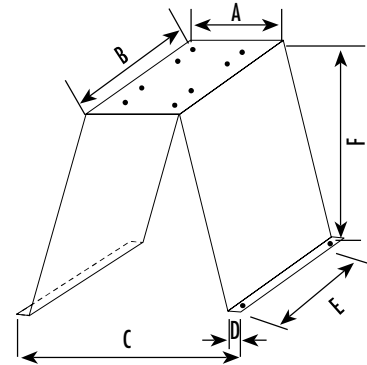
**Handings are viewed from inlet side - 45 degree adjustable**

							
LG 0	LG 45	LG 90	LG 135	LG 180	LG 225	LG 270	LG 315
							
RD 0	RD 45	RD 90	RD 135	RD 180	RD 225	RD 270	RD 315

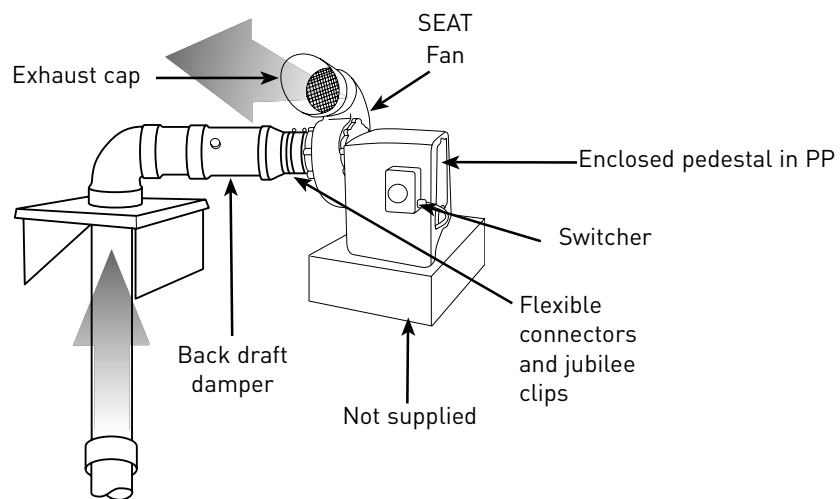
## Metal stand



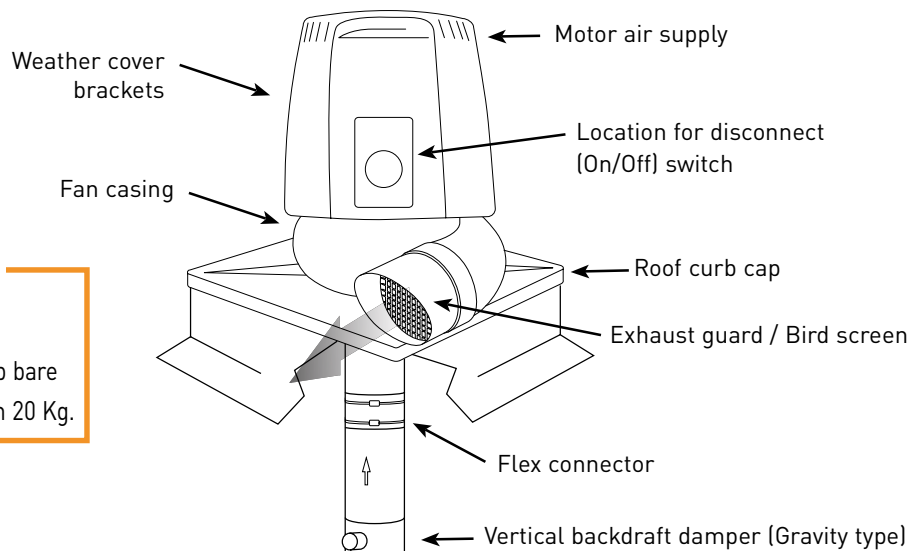
Dimensions (mm)						
Fan	A	B	C	D	E	F
SEAT 15-20	190	180	320	20	160	240
SEAT 25	190	180	400	20	160	300
SEAT 25 (2P)	190	180	400	20	160	300
SEAT 30	200	240	440	20	220	350
SEAT35	300	350	600	20	310	468



## Enclosed pedestal



## Roof unit



### WARNING

Reinforce the base before placing the roof curb bare for a motor weight more than 20 Kg.