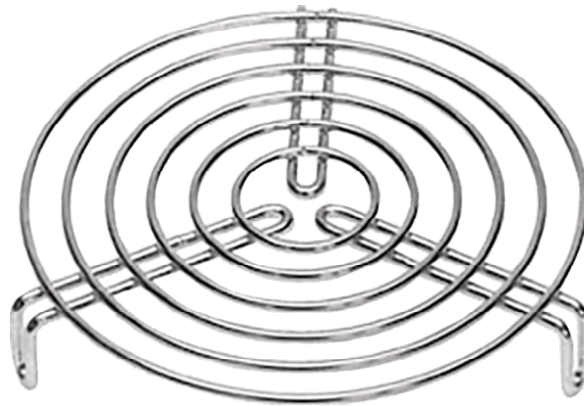


Protection guard SG Ø450

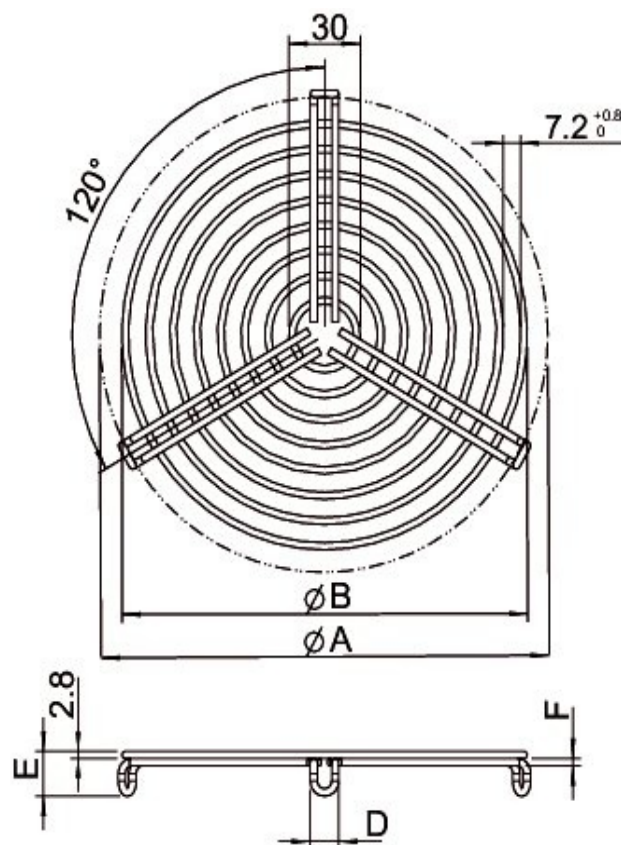


Protection guard for duct fans, mounted with three screws

General data:

Weight 0,95 kg

Dimension:



ØA	ØB	D	E	F
450	450	12,6	24,7	3,8