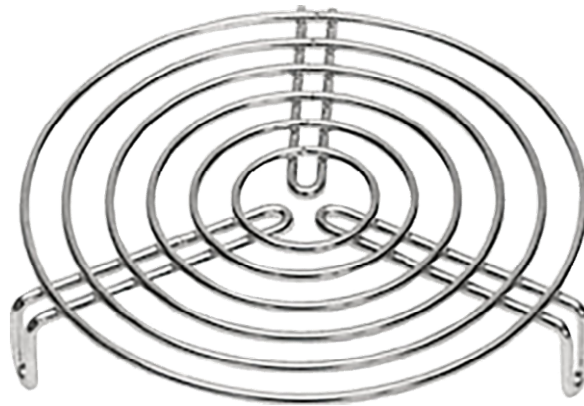


## Protection guard SG Ø355

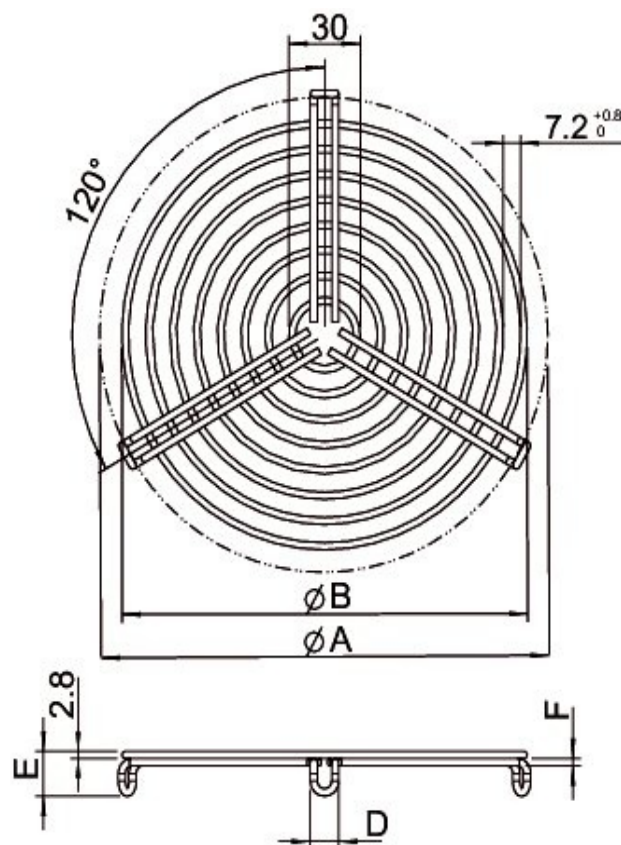


Protection guard for duct fans, mounted with three screws

### General data:

Weight 0,55 kg

### Dimension:



ØA	ØB	D	E	F
355	350	12,6	24,7	3,8