

MTP 10, 10K, Speed control

MTP 10, 10K, Speed control
Variant: 10V

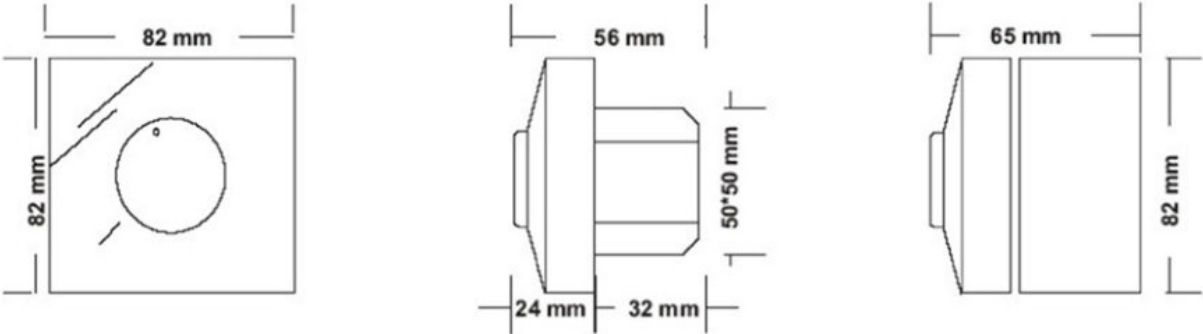
Potentiometer 10k Ω for speed controlling
- Combined flush or surface mounting
For the manual control of speed and air flow of electrical fans with 0-10V output.
The jetproof IP 54 enclosure is achieved with the included surface mounting case. (Flush-mounting without the surface mounting case, gives a splash proof IP 44 enclosure also suitable for highly demand environments as bathrooms etc).



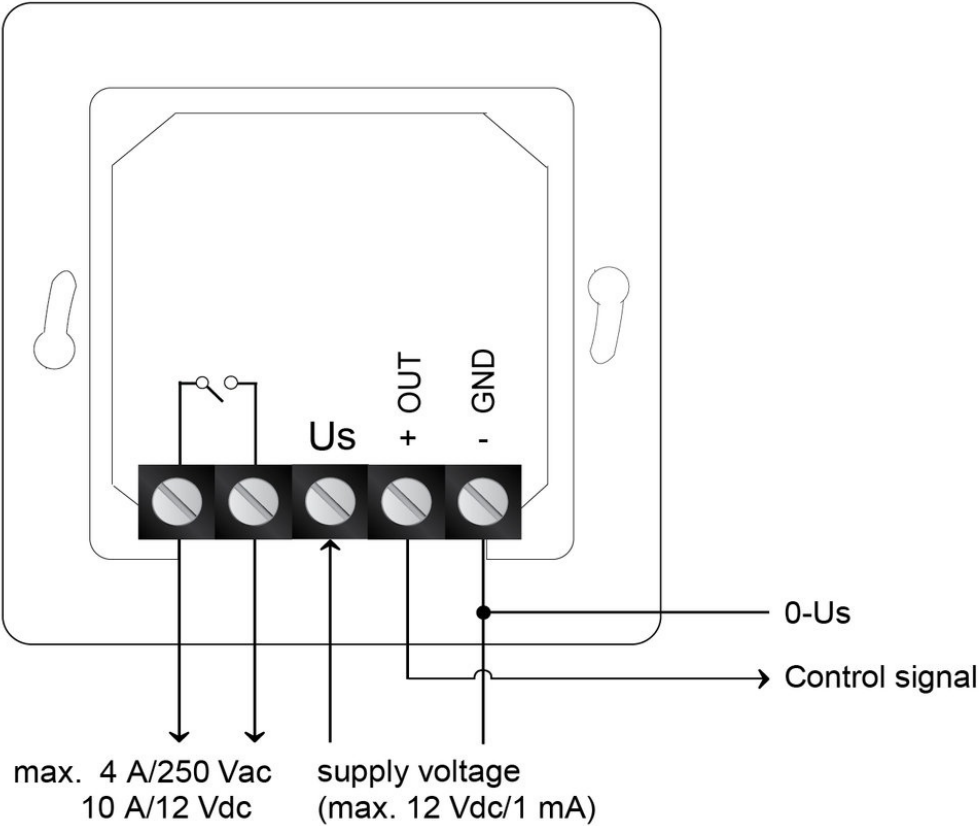
Technical parameters

Nominal data	
Voltage (nominal)	10 V
Voltage type	DC
Protection/Classification	
Enclosure class	IP44
Controller and Sensors	
Switching capacity	4A / 250V
Rangeability	0...10 V
Control signal	0...10 kOhm
Dimensions and weights	
Weight	0.17 kg
Others	
Contact	1 NO

Dimension



Wiring



Us = 10V Supply

+ = 0-10V Output signal

- = GND