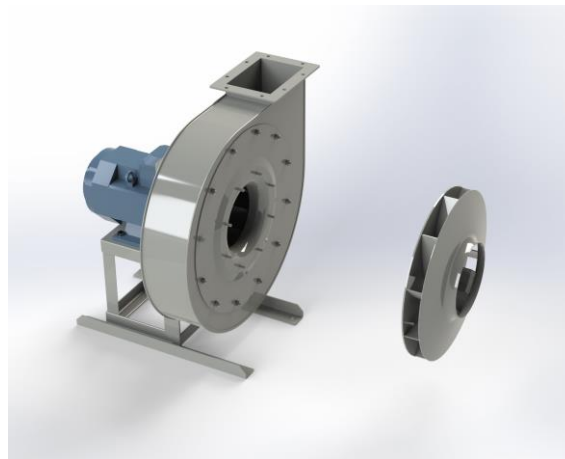


MPR 501



Centrifugal fan model MPR, Es.4

Single inlet fan, direct driven with an IEC-standard motor in form B3 which is mounted on a motorbase. The overhang impeller is mounted on the motor shaft and has backwardly curved blades. The blades are welded between the back plate disc and the aerodynamically formed front plate. The robust industrial fan is totally made of steel and painted in the agate grey color RAL 7037. The fan is suitable for the transportation of clean and slightly dusty air.

General data:

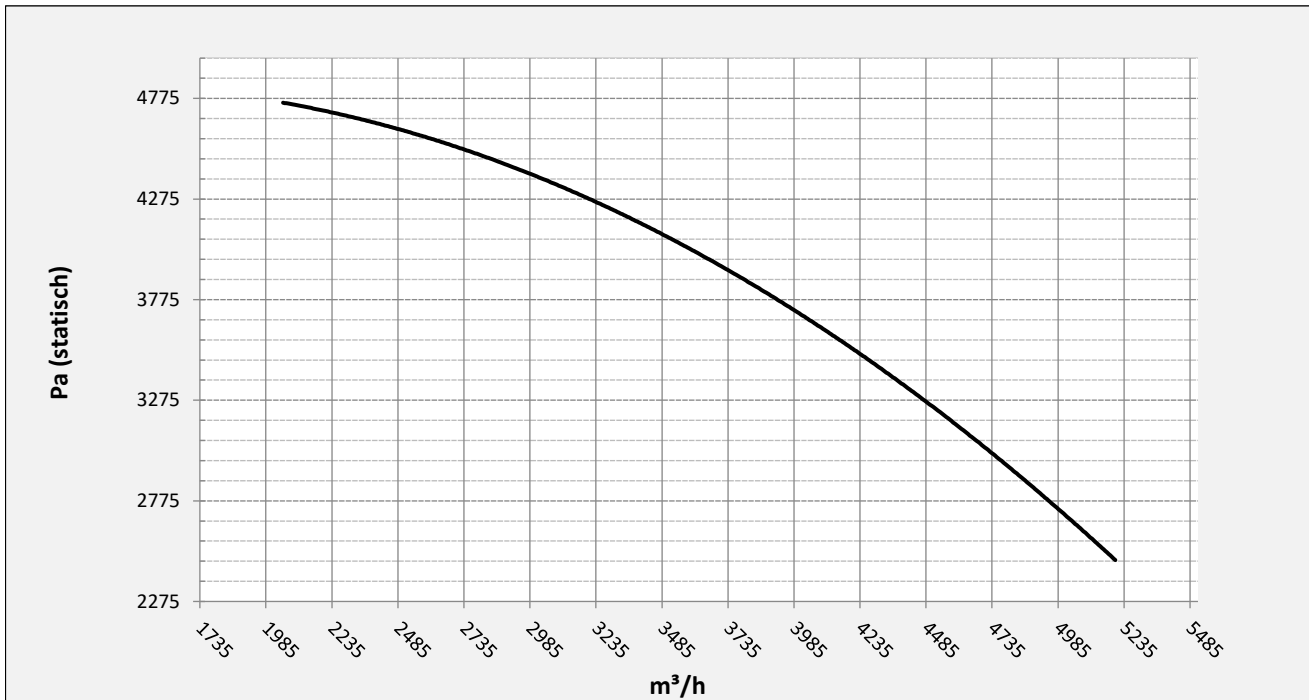
Drive	direct
Motor position	horizontal
Material casing/base	Steel
Material impeller/hub	Steel
Motorcoating/protection	RAL 7037
Operating temperature (max.)	15 (80) °C
Medium density (altitude 0 m)	1,226 kg/m ³
Impeller speed	2930 rpm
Weight	135 kg
Sound pressure level ±3	80 dB(A)

(at 1,5 m near the fan with inlet and outlet ducted, in free field)

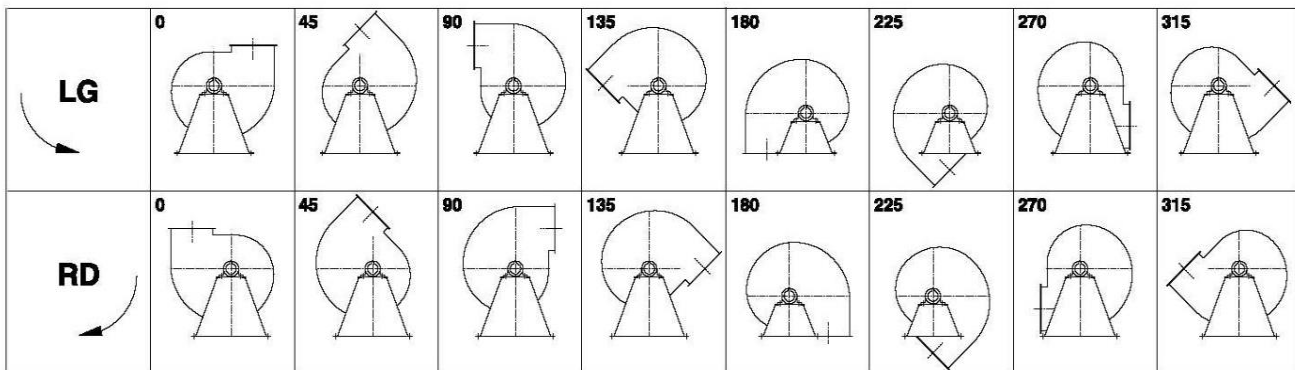
Electric motor:

	132S	IEC
Power	7,5	kW
Motor speed	2.930	rpm
Electric supply	3x400V50Hz	V/Hz
Full load current	14,1	A
Enclosure	55	IP
Shape	B3T	
Efficiency class	IE3	

Curve MPR 501 @ 2930rpm @ 15°C @ 0m



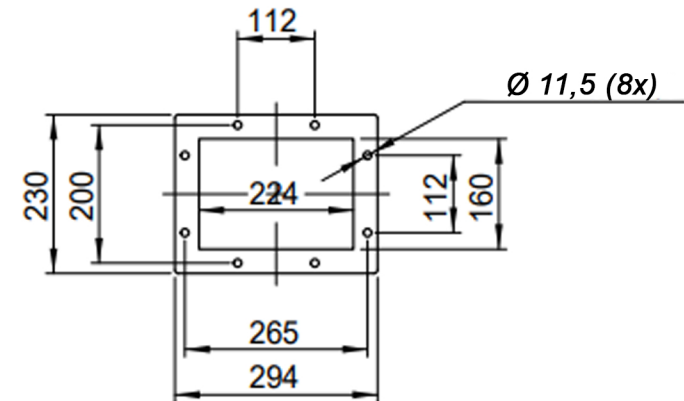
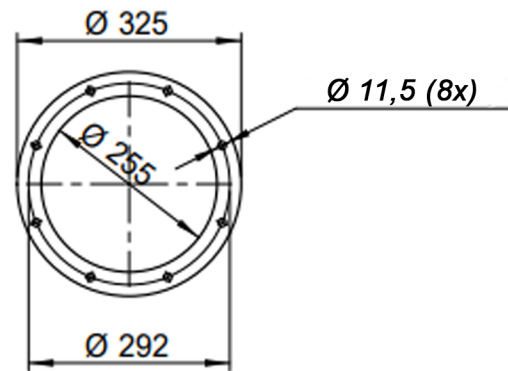
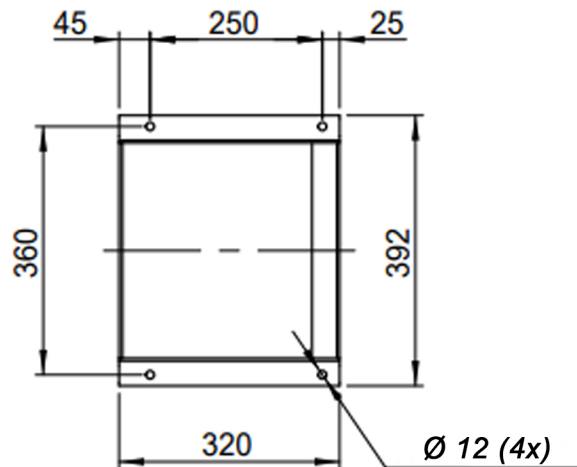
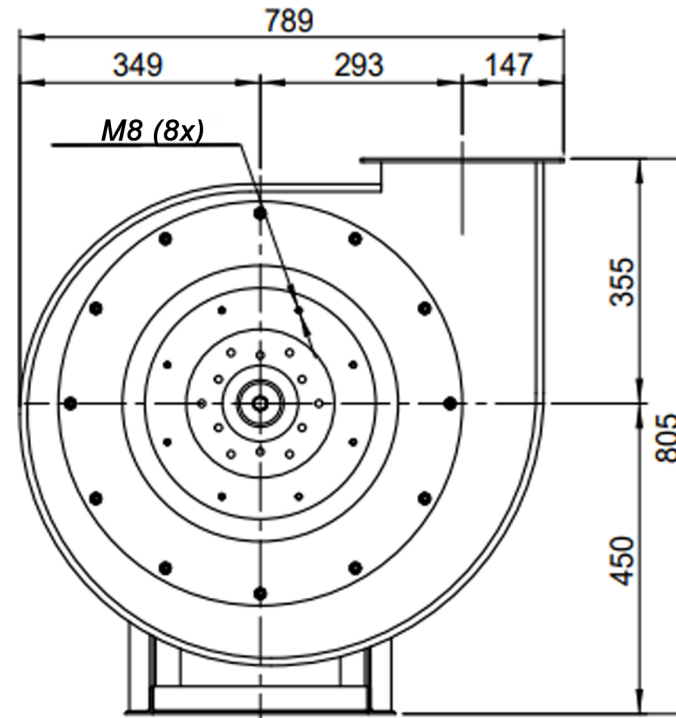
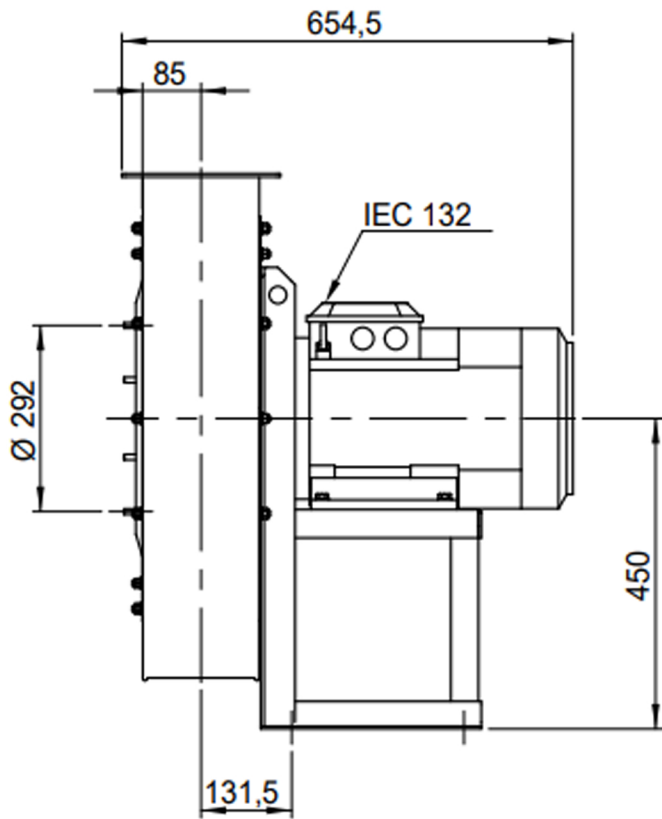
Possible discharge positions:



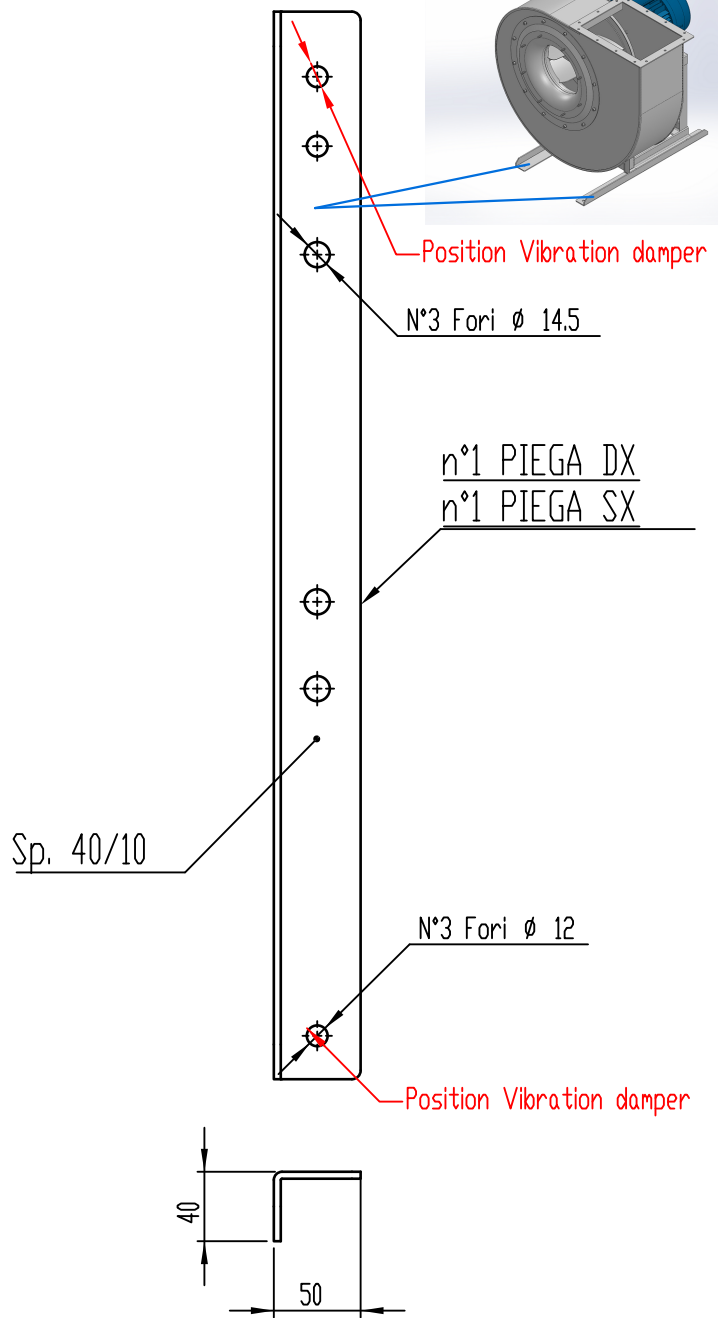
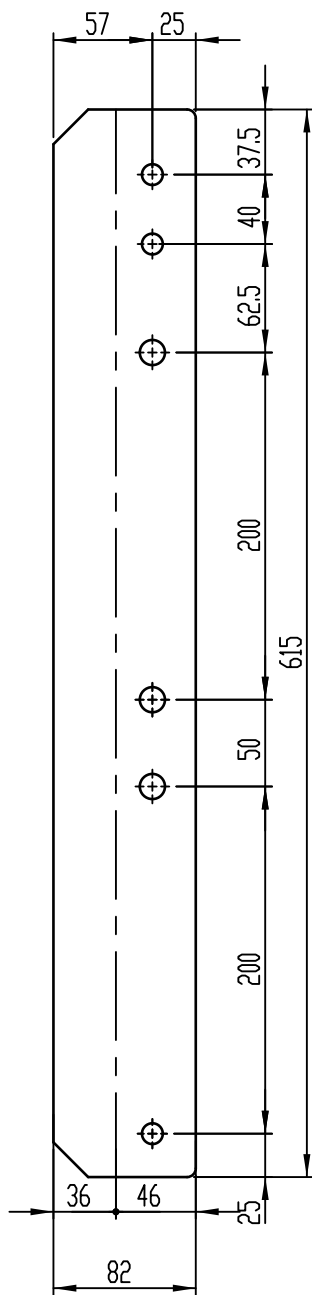
* (Pos 180 and 225 extra price)

Possible accessories

Mounting profiles for load distribution	STF 057501
Counterflange inlet/outlet	zz Ø250 / pz 224x160
Flexible connection inlet/outlet max. 80°C	zz Ø250 / pz Ø315
Anti-vibration mountings	4x 40x30/B/70° ShA
Inspectiondoor	
Drain connection	
Shaft seal without asbestos	
Coolingwheel (medium max. 150°C)	(incl. coating RAL9006)
Flexible connection inlet/outlet max. 150°C	zz Ø250 / pz Ø315
ATEX version	Zone 1 / 2 / 21 / 22
ATEX motor	Ex nA / Exe / Ex de
Coating suitable for outdoor application	RAL 5010 / RAL
Stainless steel version	304 / 316 / ...
Acoustic enclosure	



DESCRIPTION-BESCHRIJVING MPR501 - RD0	SCHAAL 1:11	GEMAAKT - PREPARED Overmeer E.	FORMAAT A4
	DATUM 31/10/2023		
N.TEKENING - N.DRAWING Slingerland ventilatoren		REV. V1MPR 501 00	



COMM.
N°

01	04/12/2019	Adattamento alle sedie nuove		Galiotto M.	De Santi G.
00	23/11/2015	PRIMA EMISSIONE		Galiotto M.	De Santi G.
REV	DATA - DATE	DESCRIZIONE - DESCRIPTION		DISEGNATO PREPARED	CONTROLLATO CHECKED
DESCRIZIONE - DESCRIPTION		MATERIALE - MATERIAL	NR.FILE	PESO - WEIGHT	
		Fe 360	EUR00067997	Kg 1.53	
DESCRIZIONE - DESCRIPTION			SCALA	DISEGNATO - PREPARED	FORMATO
Staffe per Puffer L=615 IEC 100-112-132			1:4	Galiotto M.	A4
			SOSTITUISCE IL - REPLACES THE N°		
			SOSTITUITO DAL - REPLACES BY N°		
N.DISEGNO - N.DRAWING				REV.	
STF057501				01	

