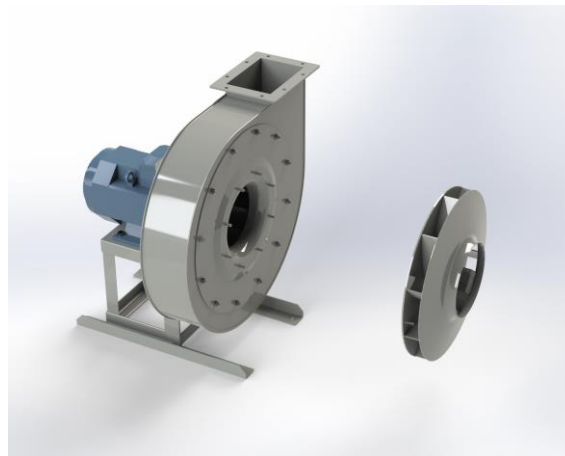


MPR 402



Centrifugal fan model MPR, Es.4

Single inlet fan, direct driven with an IEC-standard motor in form B3 which is mounted on a motorbase. The overhang impeller is mounted on the motor shaft and has backwardly curved blades. The blades are welded between the back plate disc and the aerodynamically formed front plate. The robust industrial fan is totally made of steel and painted in the agate grey color RAL 7037. The fan is suitable for the transportation of clean and slightly dusty air.

General data:

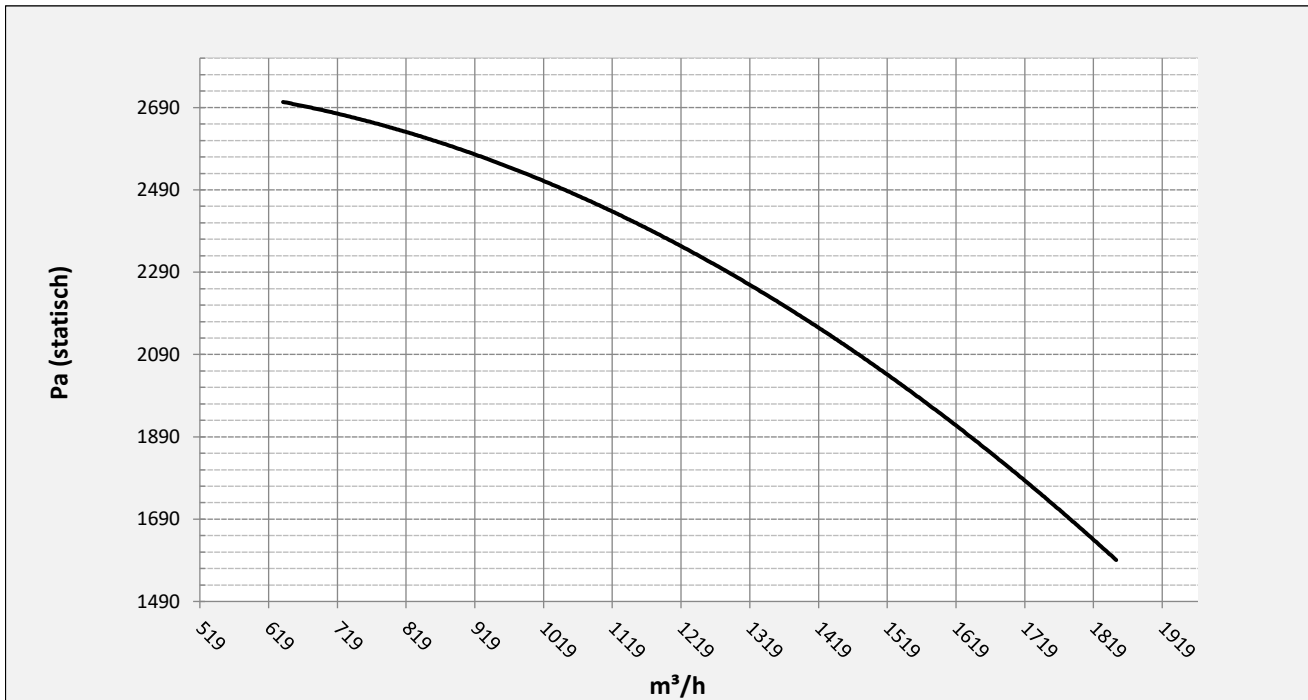
Drive	direct
Motor position	horizontal
Material casing/base	Steel
Material impeller/hub	Steel
Motorcoating/protection	RAL 7037
Operating temperature (max.)	15 (80) °C
Medium density (altitude 0 m)	1,226 kg/m ³
Impeller speed	2875 rpm
Weight	52 kg
Sound pressure level ±3	72 dB(A)

(at 1,5 m near the fan with inlet and outlet ducted, in free field)

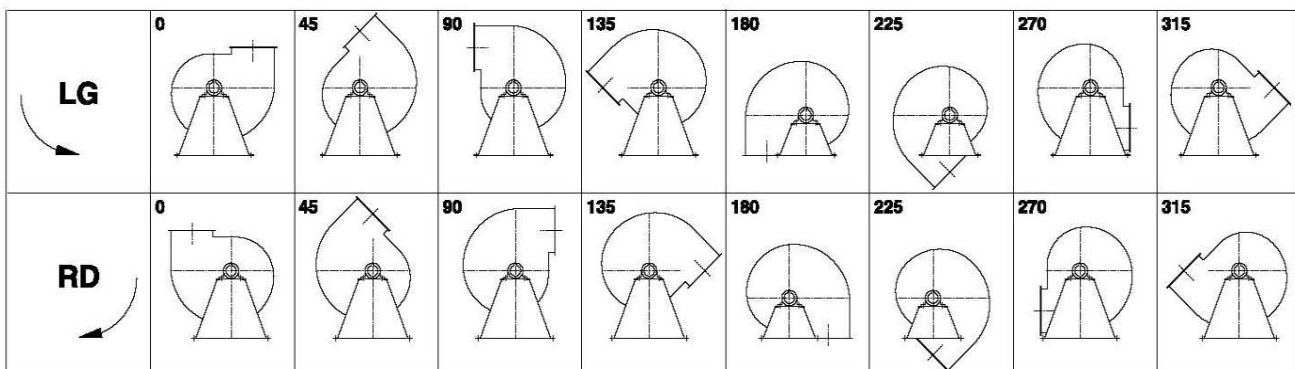
Electric motor:

	90S	IEC
Power	1,5	kW
Motor speed	2.875	rpm
Electric supply	3x400V50Hz	V/Hz
Full load current	3,09	A
Enclosure	55	IP
Shape	B3T	
Efficiency class	IE3	

Curve MPR 402 @ 2875rpm @ 15°C @ 0m



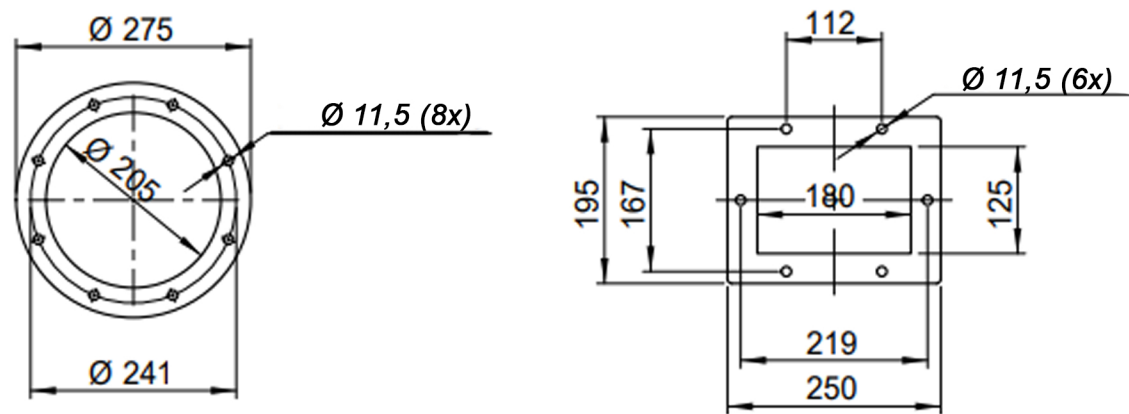
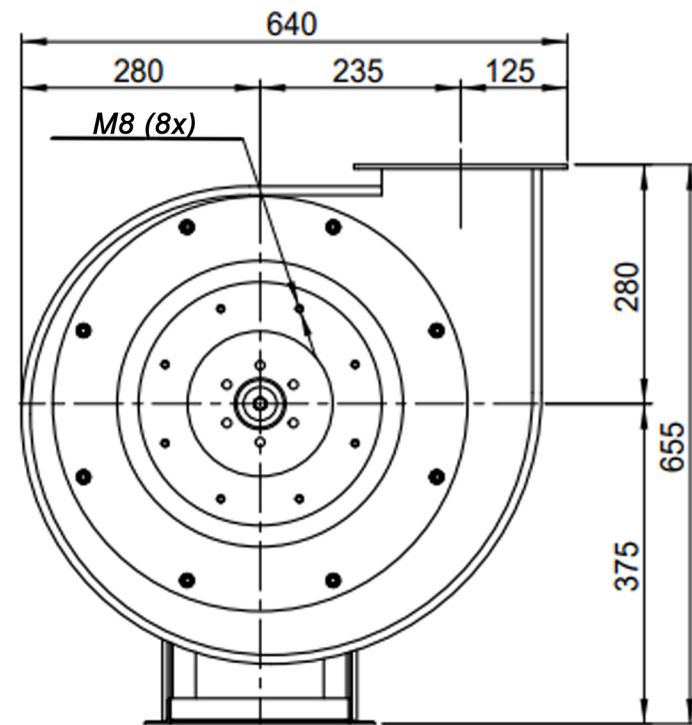
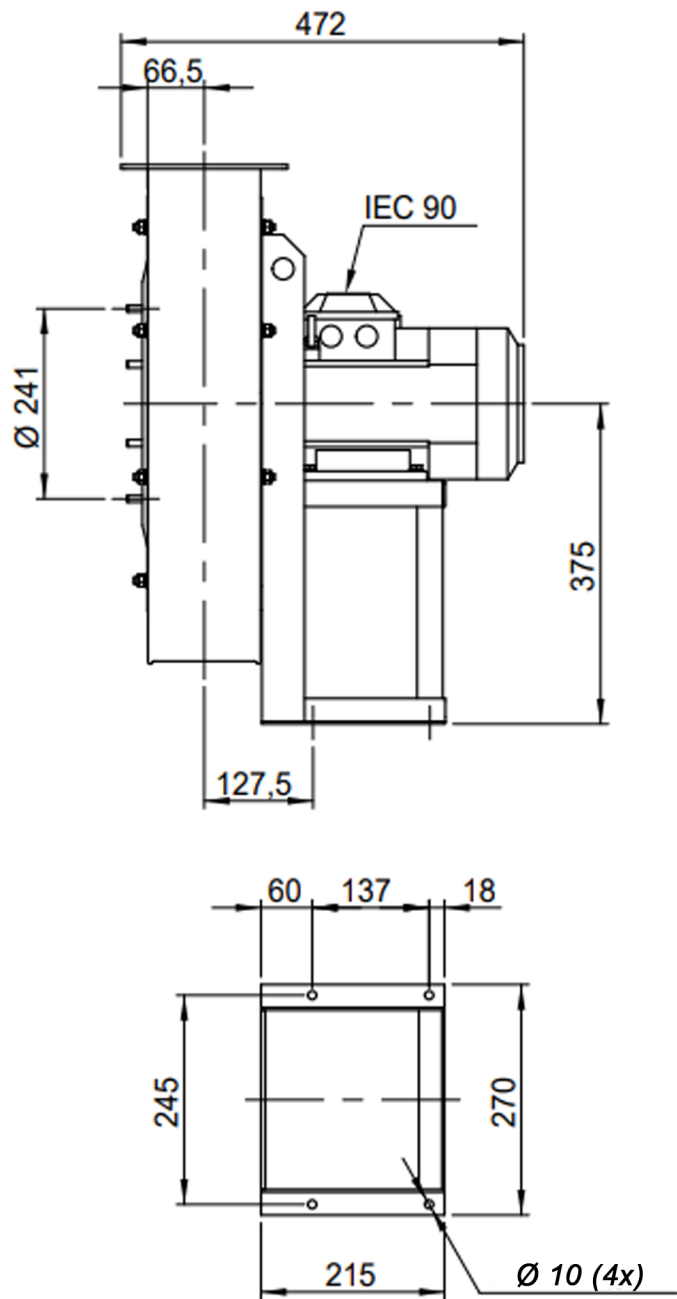
Possible discharge positions:



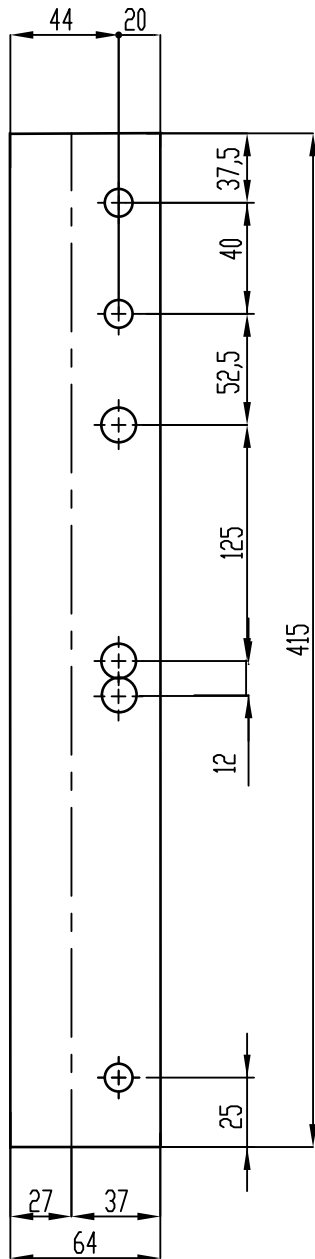
* (Pos 180 and 225 extra price)

Possible accessories

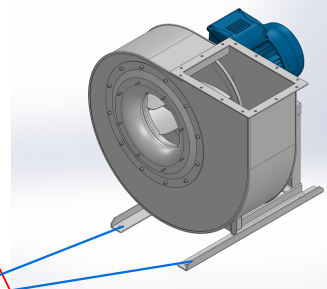
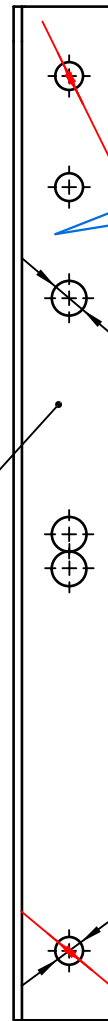
Mounting profiles for load distribution	STF 037501ST
Counterflange inlet/outlet	zz Ø200 / pz 180x125
Flexible connection inlet/outlet max. 80°C	zz Ø250 / pz Ø250
Anti-vibration mountings	4x 30x20/B/40° ShA
Inspectiondoor	
Drain connection	
Shaft seal without asbestos	
Coolingwheel (medium max. 150°C)	(incl. coating RAL9006)
Flexible connection inlet/outlet max. 150°C	zz Ø250 / pz Ø250
ATEX version	Zone 1 / 2 / 21 / 22
ATEX motor	Ex nA / Exe / Ex de
Coating suitable for outdoor application	RAL 5010 / RAL
Stainless steel version	304 / 316 / ...
Acoustic enclosure	



DESCRIPTION-BESCHRIJVING MPR402 - RD0	SCHAAL 1:9	GEMAAKT - PREPARED Overmeer E.	FORMAAT A4
	DATUM 31/10/2023		REV. 00
N.TEKENING - N.DRAWING Slingerland ventilatoren		V1MPR 402	



Sp. 30/10



Position Vibration damper

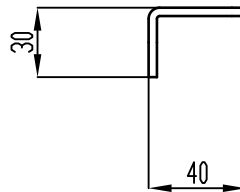
N° 1 Foro ϕ 12.5

n°1 PIEGA DX

n°1 PIEGA SX

N°3 Fori ϕ 10

Position Vibration damper



COMM.

N°

01	14/1/2020	PRIMA EMISSIONE		AL	AL
00	14/1/2016	PRIMA EMISSIONE		RK	RK
REV	DATA - DATE	DESCRIZIONE - DESCRIPTION		DISEGNATO PREPARED	CONTROLLATO CHECKED
DESCRIZIONE - DESCRIPTION		MATERIALE - MATERIAL	NR.FILE	PESD - WEIGHT	
		Fe 360	EUR00067971	Kg 0.45	
DESCRIZIONE - DESCRIPTION		SCALA 1:2.5		DISEGNATO - PREPARED	FORMATO
Staffe per Puffer L=415		DATA 14/1/2020		AL	A4
IEC 80-90		SOSTITUISCE IL - REPLACES THE N°		SOSTITUITO DAL - REPLACES BY N°	
		N.DISEGNO - N.DRAWING		REV.	
		STF037501ST		01	

