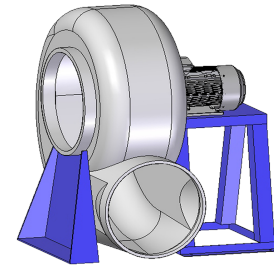


Research Data

Air-flow rate[m ³ /h]	13586
Pressure[Pa]	850.1
Pressure type	Psta
Power supply	all
Density[m ³ /h]	1.205



Label

Code	KR 806 †
Voltage[V]	400
Phases	3
Current[A]	
Poles	6
Weight[kg]	390
Frequency[Hz]	50
Speed[rpm]	930
Power[kW]	7.5
IP	55
INS	

Execution:

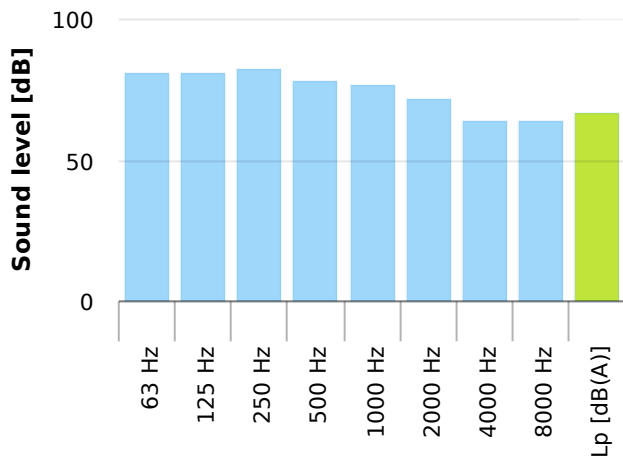
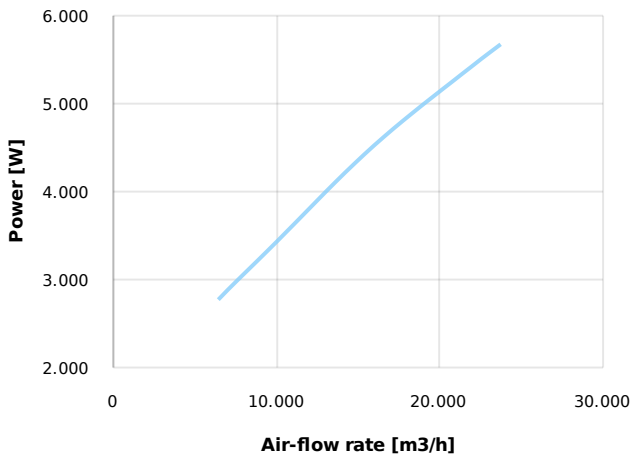
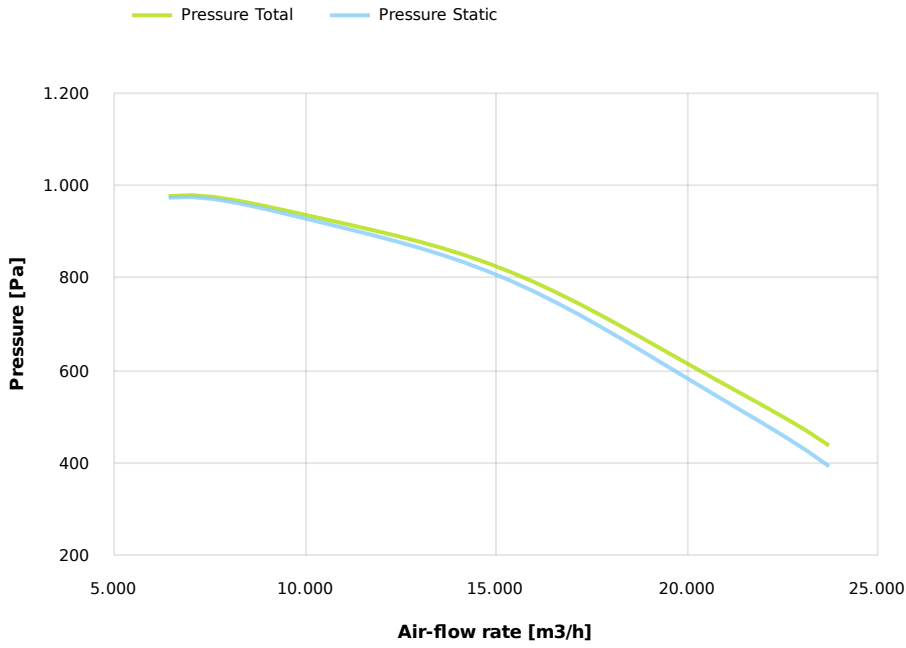
- Pe welded housing
- PP impeller
- epoxy painted motor support
- stainless steel screw

Table engines

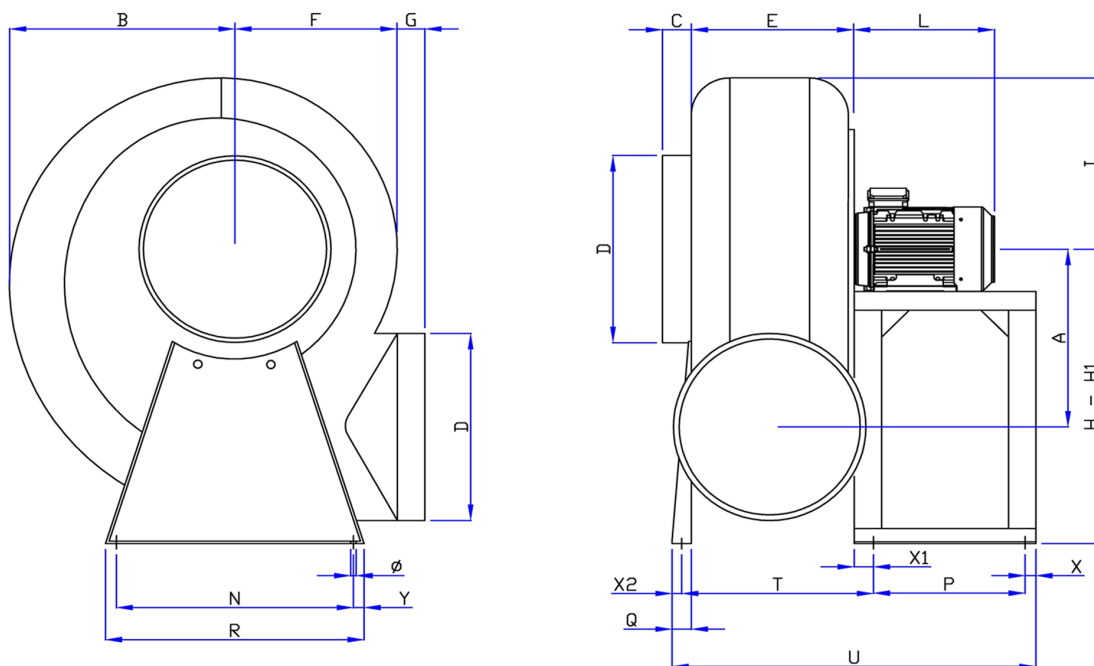
Class IE	IE1	IE2	IE3
Size	160M	160M	160M
Power[kW]	7.5	7.5	7.5
Current[A]	16.55	16.8	16
Voltage[V]	400	400	400
Cos φ	0.77	0.74	0.76
n	0.85	0.872	0.891

Options:

- PP Housing
- INOX/Fe+ebonite impeller
- INOX motor support
- labyrinth seal
- flexible connection PVC
- exhaust cap with grid PP/PVC
- drain plug PP
- motor protection cover
- housing splinter protection PVC
- protection grid INOX
- vibration dampers
- deflector cowl PP/PVC
- gravity damper PP/PVC
- adjustable damper
- silencer PP/PVC



Dimensions



A	B	C	D	E	F	G	H	H1	I	L	N	Ø	P
665	815	105	700	590	590	100	1100	950	640	510	862	20	551
Q	R	T	U	X	X1	X2	Y						
60	940	690	1319	40	60	30	40						

Configurations & cad

