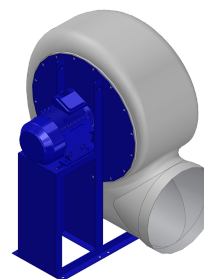


## Research Data

Air-flow rate[m <sup>3</sup> /h]	4640
Pressure[Pa]	1411
Pressure type	Psta
Power supply	all
Density[m <sup>3</sup> /h]	1.205



## Label

Code	KR 634 M
Voltage[V]	400
Phases	3
Current[A]	
Poles	4
Weight[kg]	112
Frequency[Hz]	50
Speed[rpm]	1450
Power[kW]	7.5
IP	55
INS	

## Execution:

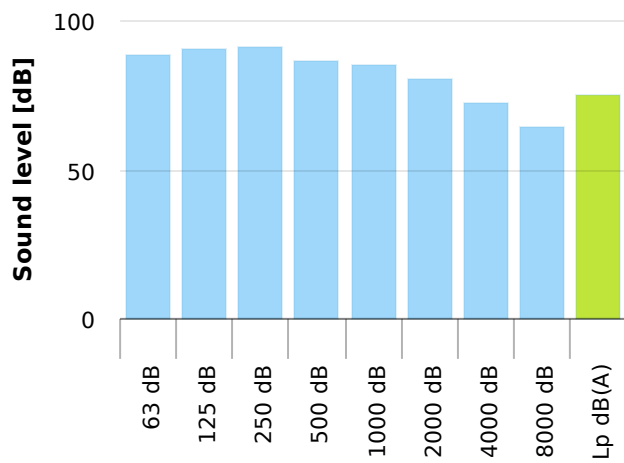
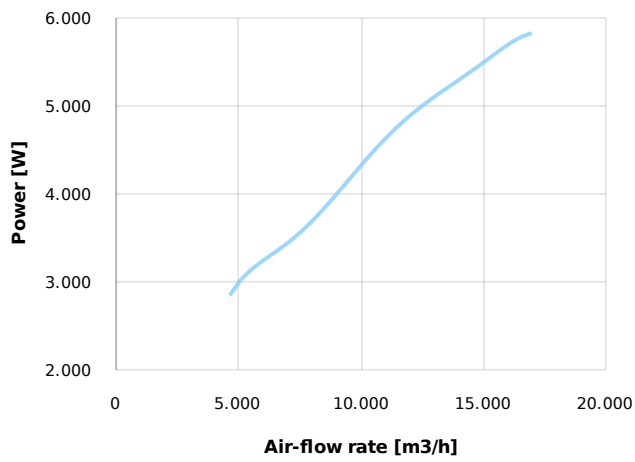
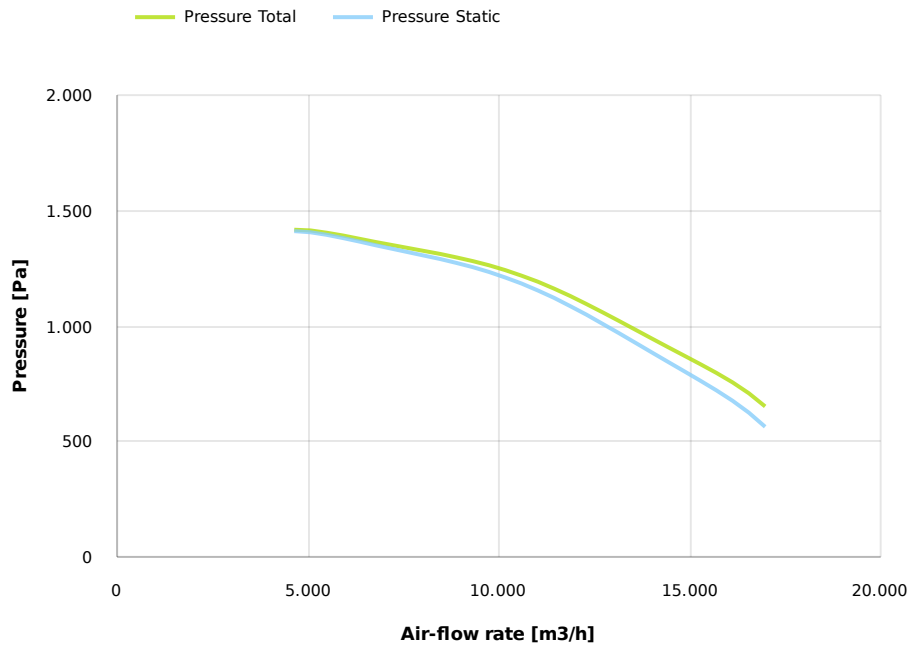
- Pe moulded housing
- PP impeller
- epoxy painted motor support
- stainless steel screw

## Table engines

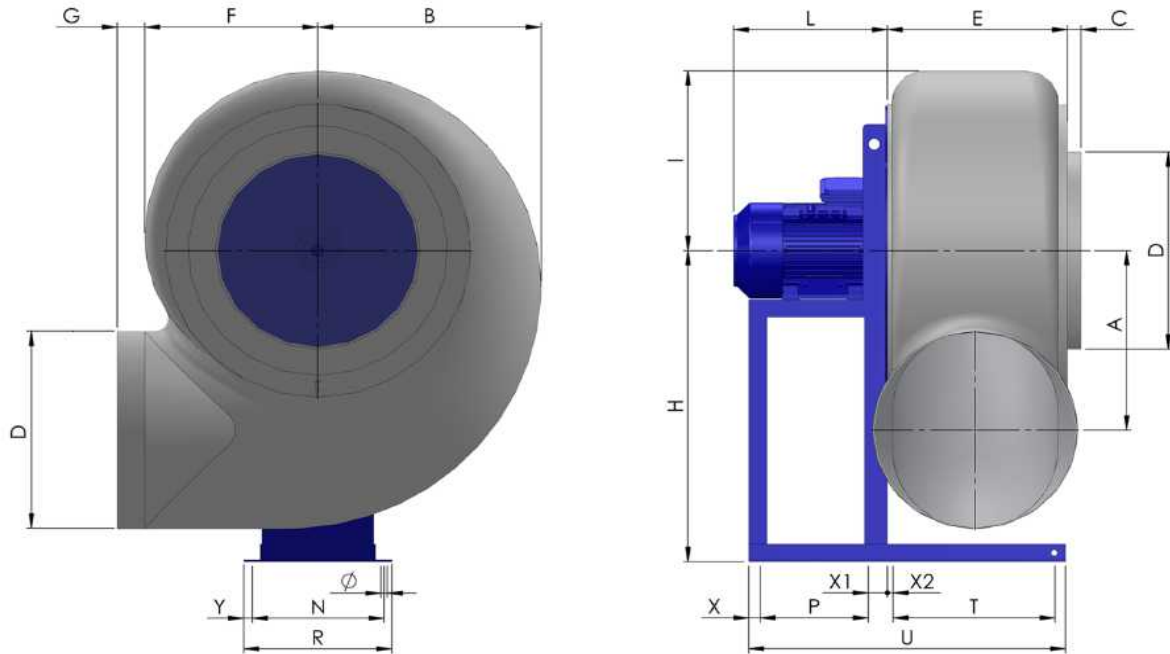
Class IE	IE3
Size	132 M
Power[kW]	5.5
Current[A]	11.03
Voltage[V]	400
Cos $\phi$	0.84
n	0.906

## Options:

- PP Housing
- INOX/Fe+ebonite impeller
- INOX motor support
- labyrinth seal
- flexible connection PVC
- exhaust cap with grid PP/PVC
- drain plug PP
- motor protection cover
- housing splinter protection PVC
- protection grid INOX
- vibration dampers
- deflector cowl PP/PVC
- gravity damper PP/PVC
- adjustable damper
- silencer PP/PVC



## Dimensions



A	B	C	D	E	F	G	H	I	L	N	Ø	P	R
445	610	50	500	415	420	80	800	505	420	337	14	270	373
T	U		X	X1	X2	Y							
400	773		25	40	15	18							

## Configurations & cad

