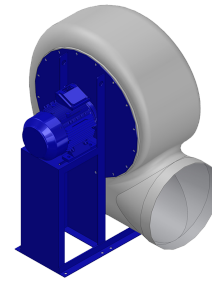


Research Data

Air-flow rate[m ³ /h]	3339
Pressure[Pa]	1113
Pressure type	Psta
Power supply	all
Density[m ³ /h]	1.205



Label

Code	KR 564 M
Voltage[V]	400
Phases	3
Current[A]	
Poles	4
Weight[kg]	110
Frequency[Hz]	50
Speed[rpm]	1450
Power[kW]	4
IP	55
INS	

Execution:

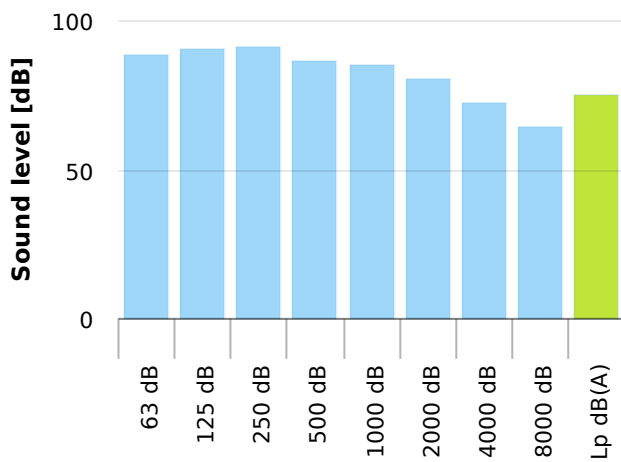
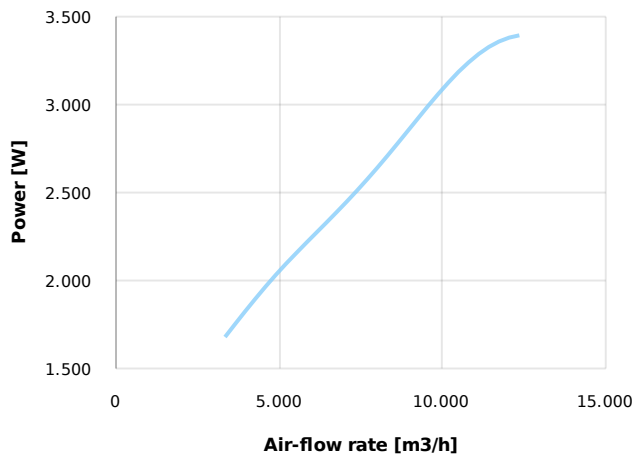
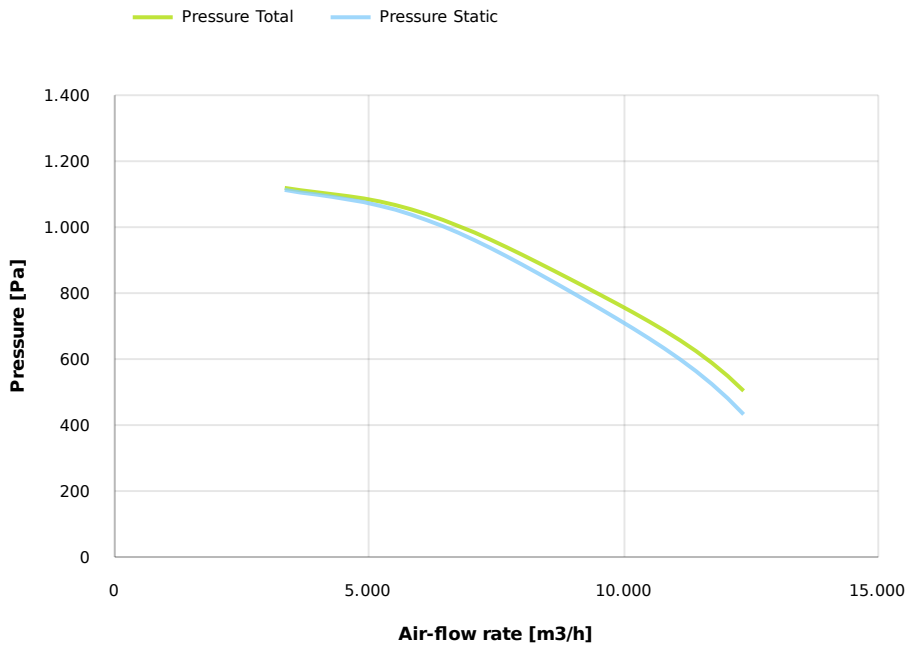
- Pe moulded housing
- PP impeller
- epoxy painted motor support
- stainless steel screw

Table engines

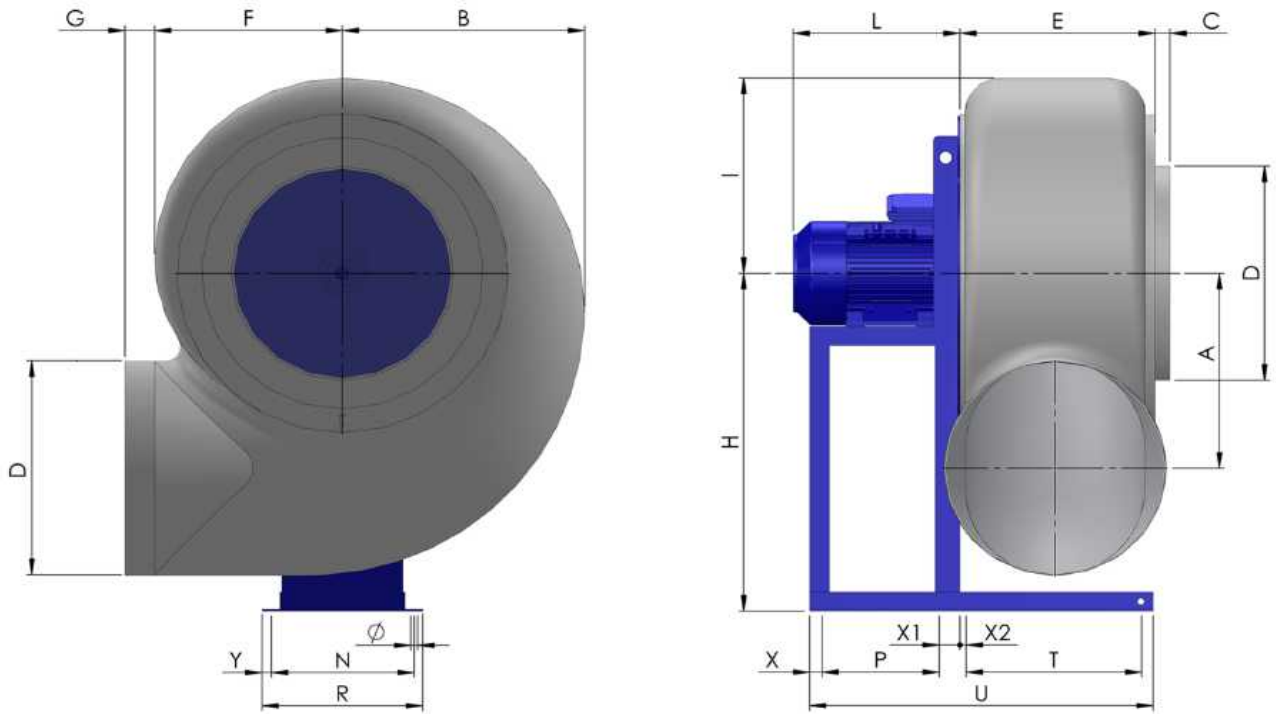
Class IE	IE1	IE2	IE3
Size	112M	112M	112M
Power[kW]	4	4	4
Current[A]	8.26	8.23	8
Voltage[V]	400	400	400
Cos φ	0.84	0.81	0.82
n	0.857	0.866	0.886

Options:

- PP Housing
- INOX/Fe+ebonite impeller
- INOX motor support
- labyrinth seal
- flexible connection PVC
- exhaust cap with grid PP/PVC
- drain plug PP
- motor protection cover
- housing splinter protection PVC
- protection grid INOX
- vibration dampers
- deflector cowl PP/PVC
- gravity damper PP/PVC
- adjustable damper
- silencer PP/PVC



Dimensions



A	B	C	D	E	F	G	H	I	L	N	Ø	P	R
410	490	50	450	365	380	80	710	410	340	289	14	270	325
T	U	X	X1	X2	Y								
355	725	25	40	15	18								

Configurations & cad

