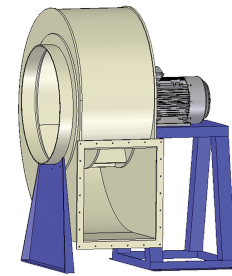


## Research Data

Air-flow rate[m <sup>3</sup> /h]	46000
Pressure[Pa]	1665
Pressure type	Psta
Power supply	all
Density[m <sup>3</sup> /h]	1.205



## Label

Code	KR 1358 W
Voltage[V]	400
Phases	3
Current[A]	
Poles	8
Weight[kg]	1510
Frequency[Hz]	50
Speed[rpm]	750
Power[kW]	45
IP	55
INS	

## Execution:

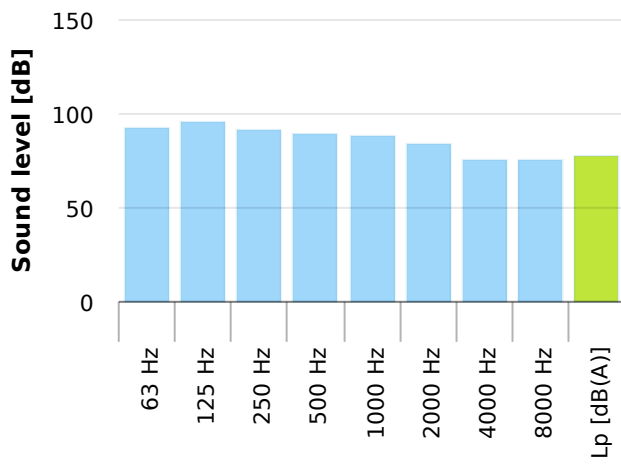
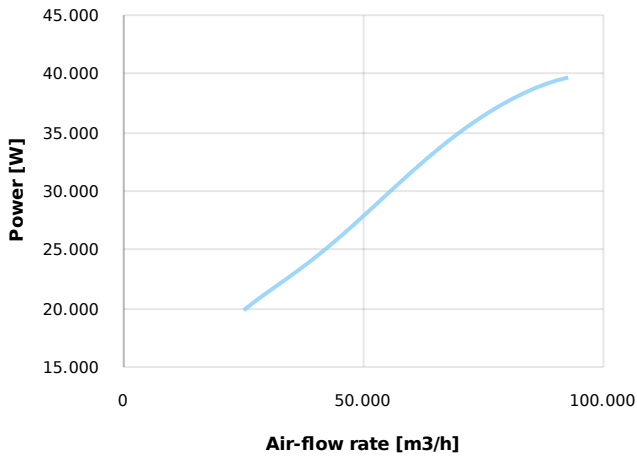
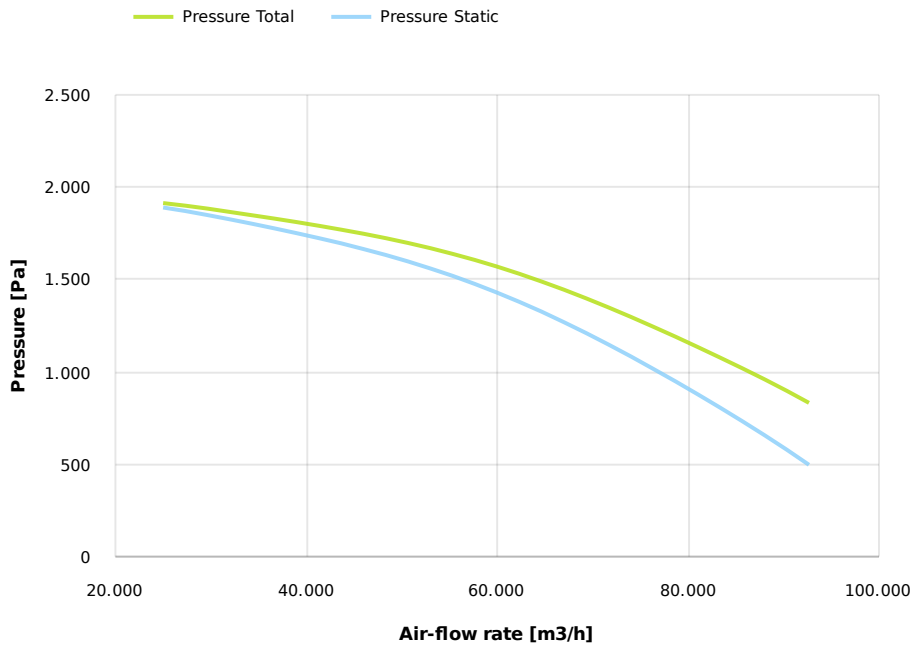
- Pe welded housing
- INOX impeller
- epoxy painted motor support
- stainless steel screw

## Table engines

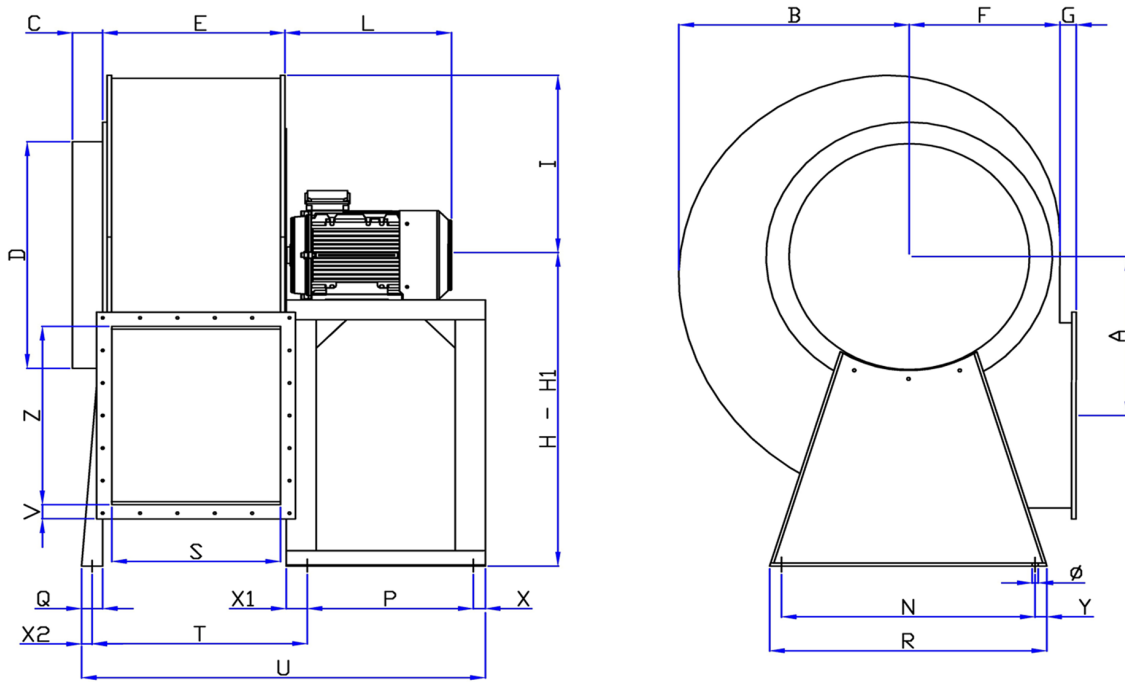
Class IE	IE1
Size	280M
Power[kW]	45
Current[A]	89.4
Voltage[V]	400
Cos φ	0.79
n	0.92

## Options:

- PP Housing
- INOX/Fe+ebonite impeller
- INOX motor support
- labyrinth seal
- flexible connection PVC
- exhaust cap with grid PP/PVC
- drain plug PP
- motor protection cover
- housing splinter protection PVC
- protection grid INOX
- vibration dampers
- deflector cowl PP/PVC
- gravity damper PP/PVC
- adjustable damper
- silencer PP/PVC



## Dimensions



A	B	C	D	E	F	G	H	H1	I	L	N	Ø	P
1020	1350	150	1350	1080	875	125	1700	1350	1120	800	1450	24	760
Q	R	S	T	U	V	X	X1	X2	Y	Z			
60	1528	1000	1140	1978	80	40	60	30	40	1100			

## Configurations & cad

