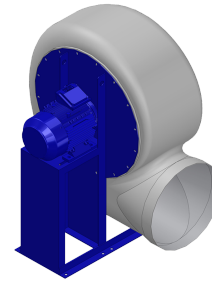


Research Data

Air-flow rate[m ³ /h]	7976
Pressure[Pa]	1398
Pressure type	Psta
Power supply	all
Density[m ³ /h]	1.205



Pe moulded housing - PP welded impeller - epoxy painted motor support - stainless steel screws

Label

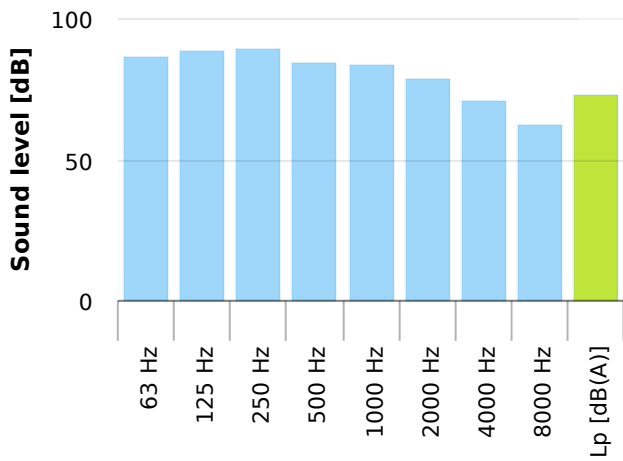
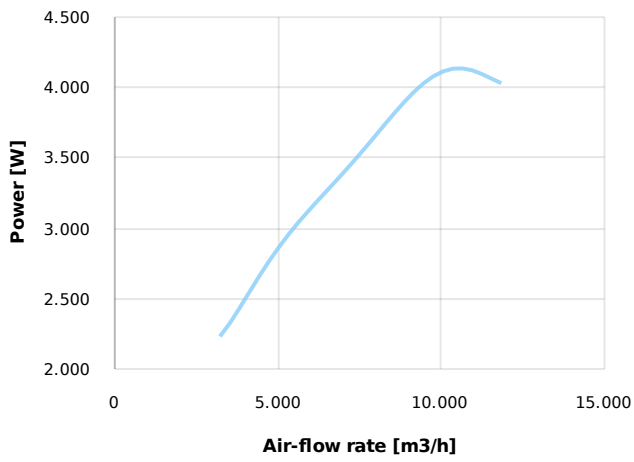
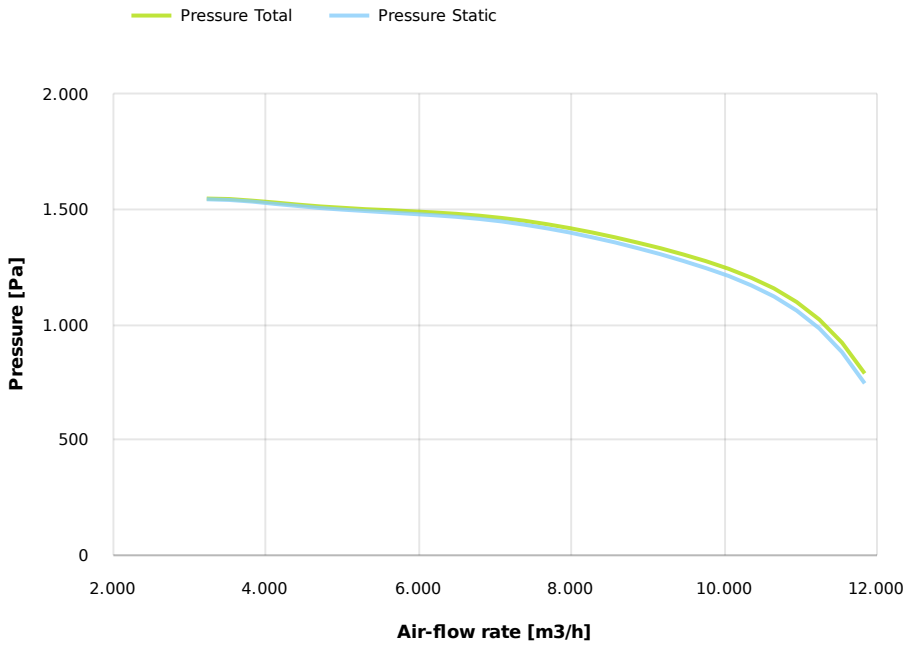
Code	KQ 634 M
Voltage[V]	400
Phases	3
Current[A]	
Poles	4
Weight[kg]	108
Frequency[Hz]	50
Speed[rpm]	1450
Power[kW]	4
IP	55
INS	

Table engines

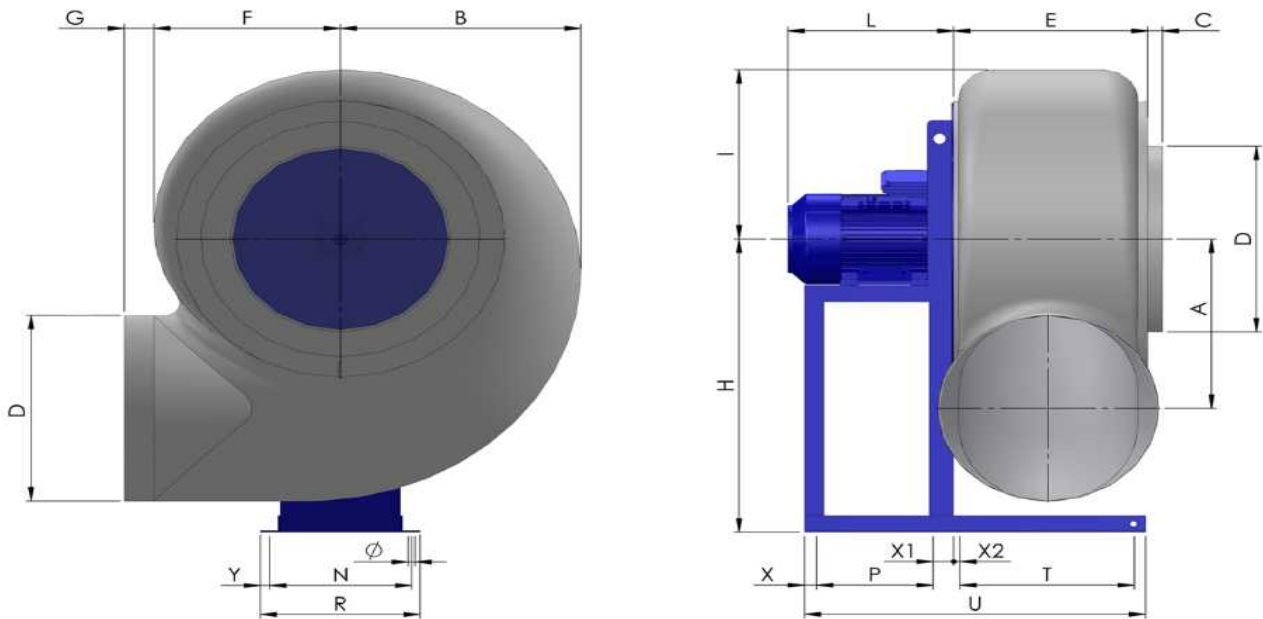
Class IE	IE1	IE2	IE3
Size	112M	112M	112M
Power[kW]	4	4	4
Current[A]	8.26	8.23	8
Voltage[V]	400	400	400
Cos ϕ	0.84	0.81	0.82
n	0.857	0.866	0.886

Options:

- PP Housing
- INOX/Fe+ebonite impeller
- INOX motor support
- labyrinth seal
- flexible connection PVC
- exhaust cap with grid PP/PVC
- drain plug PP
- motor protection cover
- housing splinter protection PVC
- protection grid INOX
- vibration dampers
- deflector cowl PP/PVC
- gravity damper PP/PVC
- adjustable damper
- silencer PP/PVC



Dimensions



A	B	C	D	E	F	G	H	I	L	N	Ø	P	R
445	610	50	500	415	420	80	800	505	340	337	14	237	373
T	U	X	X1	X2	Y								
400	740	25	40	15	18								

Configurations & cad

