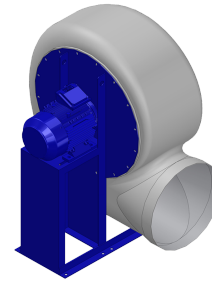


Research Data

Air-flow rate[m ³ /h]	6044
Pressure[Pa]	1071
Pressure type	Psta
Power supply	all
Density[m ³ /h]	1.205



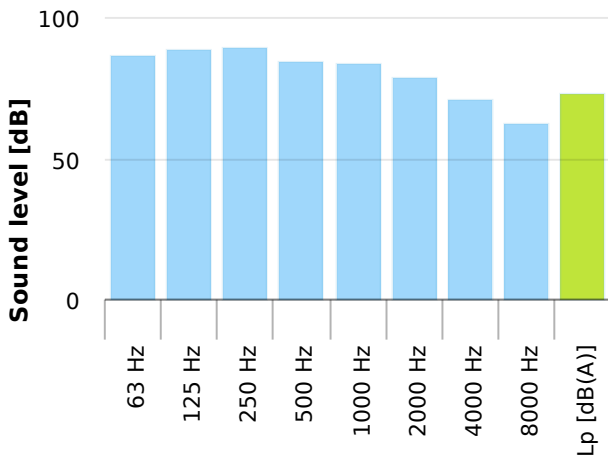
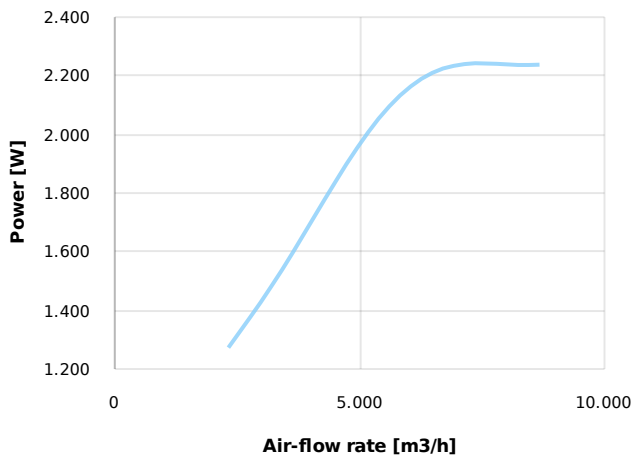
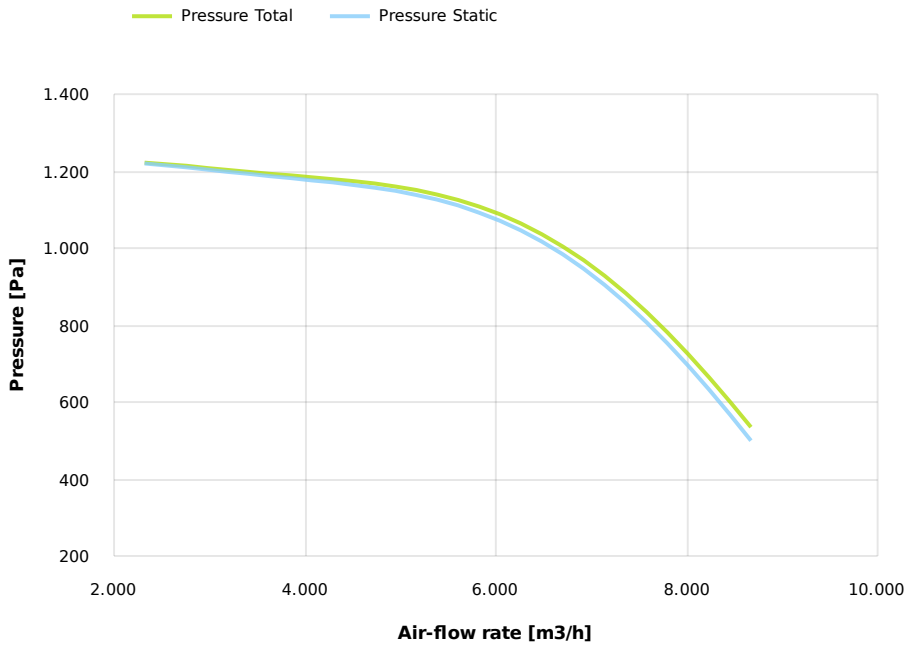
Pe moulded housing - PP welded impeller - epoxy painted motor support - stainless steel screws

Label

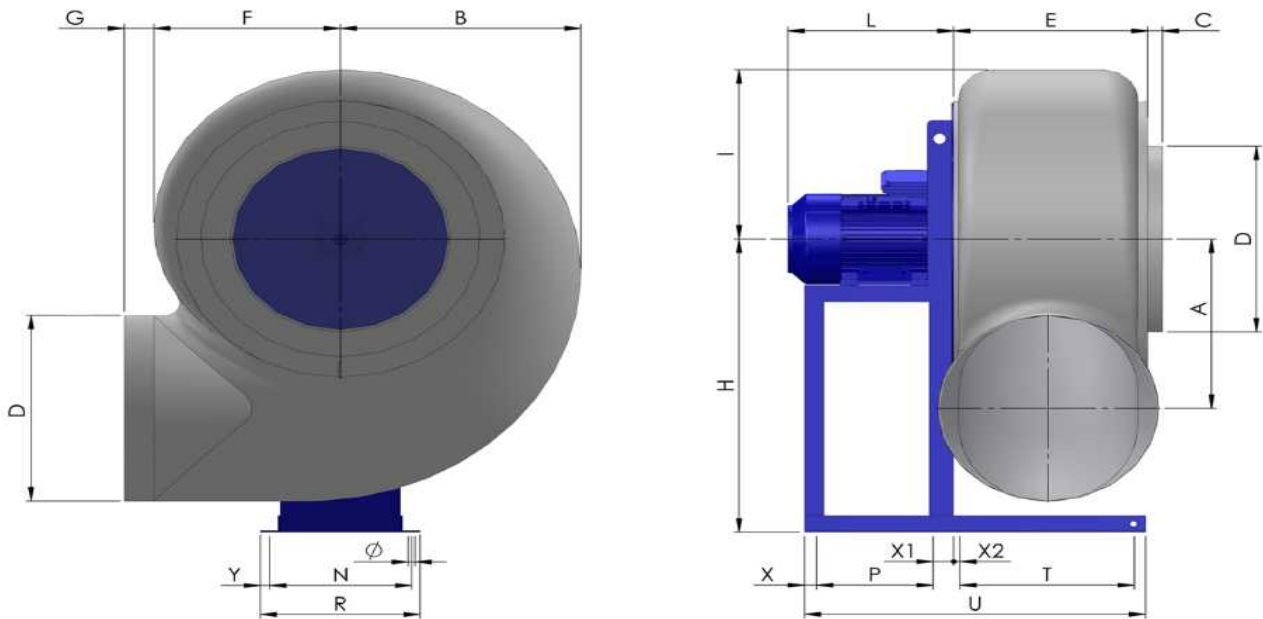
Code	KQ 564 M
Voltage[V]	400
Phases	3
Current[A]	
Poles	4
Weight[kg]	105
Frequency[Hz]	50
Speed[rpm]	1450
Power[kW]	2.2
IP	55
INS	

Table engines

Class IE	IE1	IE2	IE3
Size	100L	100L	100L
Power[kW]	2.2	2.2	2.2
Current[A]	4.84	4.89	4.5
Voltage[V]	400	400	400
Cos φ	0.81	0.77	0.82
n	0.81	0.843	0.867



Dimensions



A	B	C	D	E	F	G	H	I	L	N	Ø	P	R
410	490	50	450	365	380	80	710	410	310	289	14	197	325
T	U	X	X1	X2	Y								
355	721	25	40	15	18								

Configurations & cad

