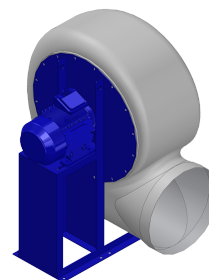


Research Data

Air-flow rate[m ³ /h]	4429
Pressure[Pa]	838.2
Pressure type	Psta
Power supply	all
Density[m ³ /h]	1.205



Pe moulded housing - PP welded impeller - epoxy painted motor support - stainless steel screws

Label

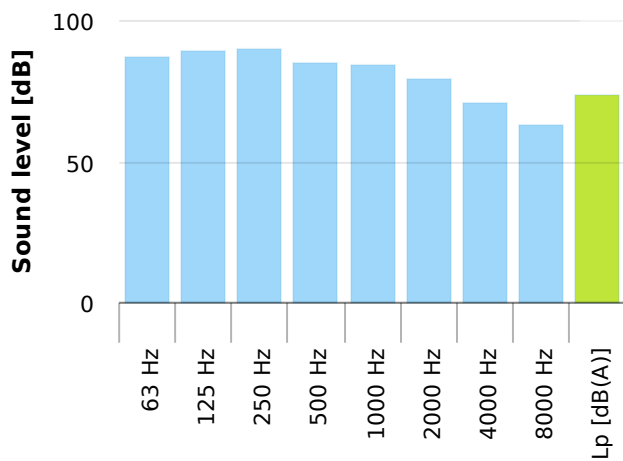
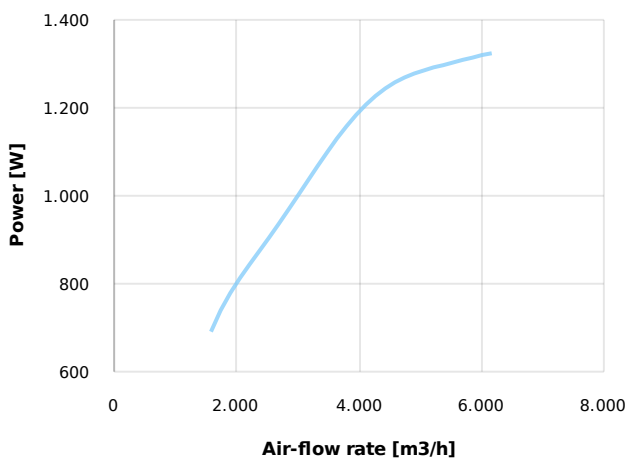
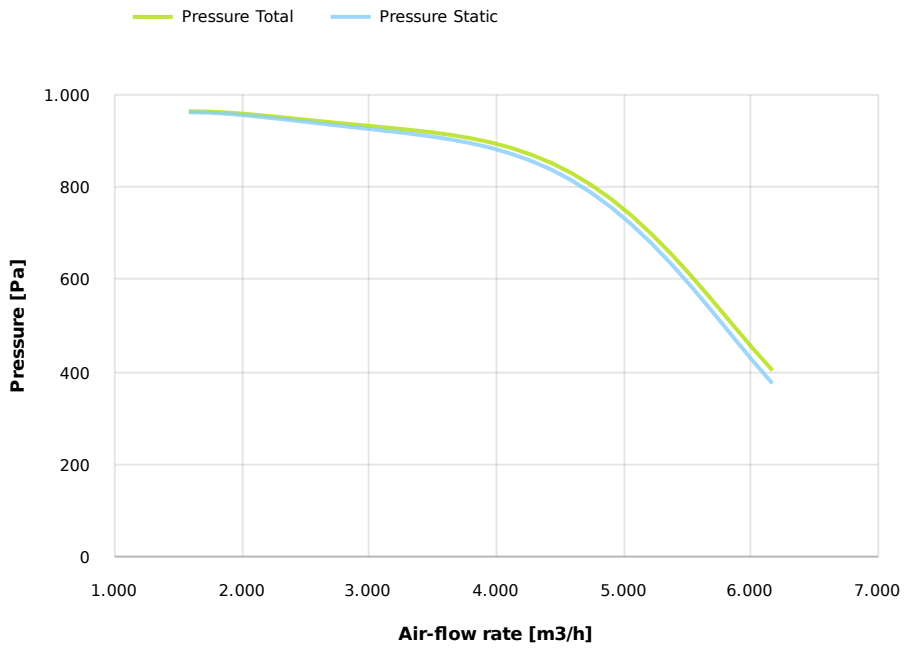
Code	KQ 504 M
Voltage[V]	400
Phases	3
Current[A]	
Poles	4
Weight[kg]	32
Frequency[Hz]	50
Speed[rpm]	1450
Power[kW]	1.5
IP	55
INS	

Table engines

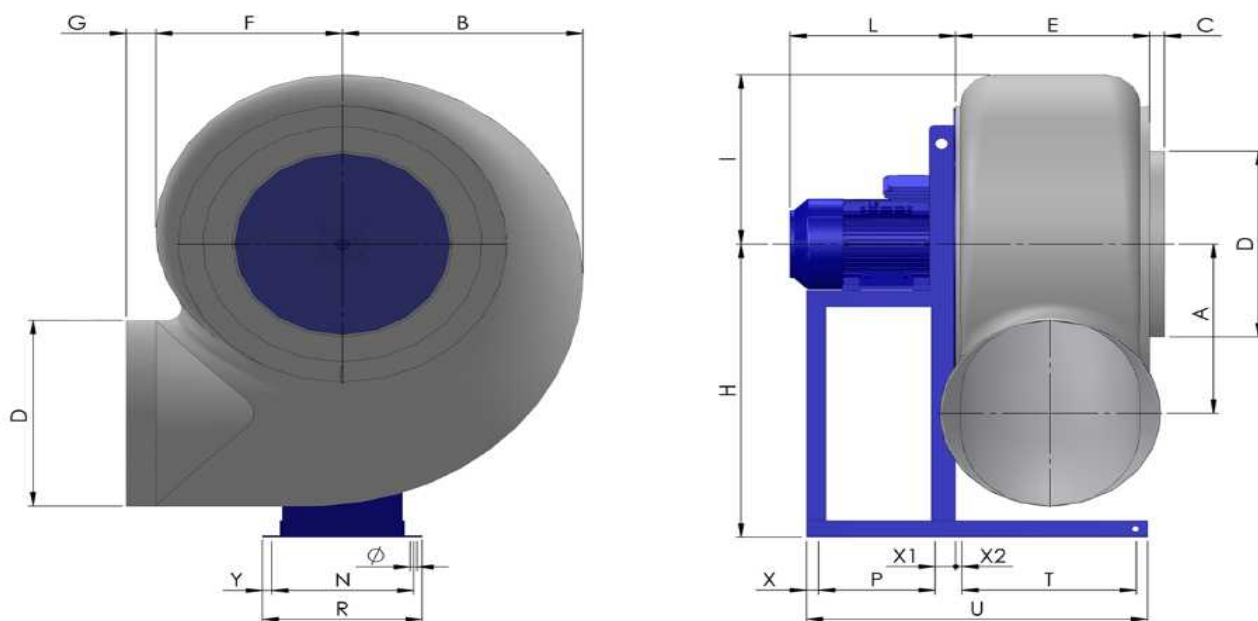
Class IE	IE1	IE2	IE3
Size	90L	90L	90L
Power[kW]	1.5	1.5	1.5
Current[A]	3.45	3.68	3.6
Voltage[V]	400	400	400
Cos φ	0.8	0.71	0.71
n	0.785	0.828	0.853

Options:

- PP Housing
- INOX/Fe+ebonite impeller
- INOX motor support
- labyrinth seal
- flexible connection PVC
- exhaust cap with grid PP/PVC
- drain plug PP
- motor protection cover
- housing splinter protection PVC
- protection grid INOX
- vibration dampers
- deflector cowl PP/PVC
- gravity damper PP/PVC
- adjustable damper
- silencer PP/PVC



Dimensions



A	B	C	D	E	F	G	H	I	L	N	Ø	P	R
360	460	50	400	355	355	80	630	395	300	289	14	197	325
T	U	X	X1	X2	Y								
335	636	25	30	15	18								

Configurations & cad

