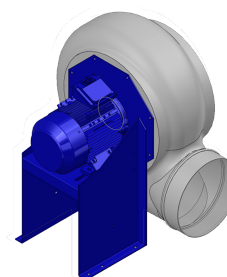


Research Data

Air-flow rate[m ³ /h]	6149
Pressure[Pa]	2707
Pressure type	Psta
Power supply	all
Density[m ³ /h]	1.205



Pe moulded housing - PP welded impeller - epoxy painted motor support - stainless steel screws

Label

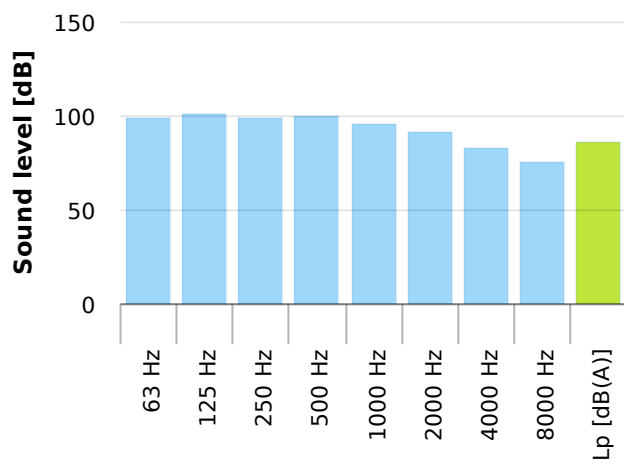
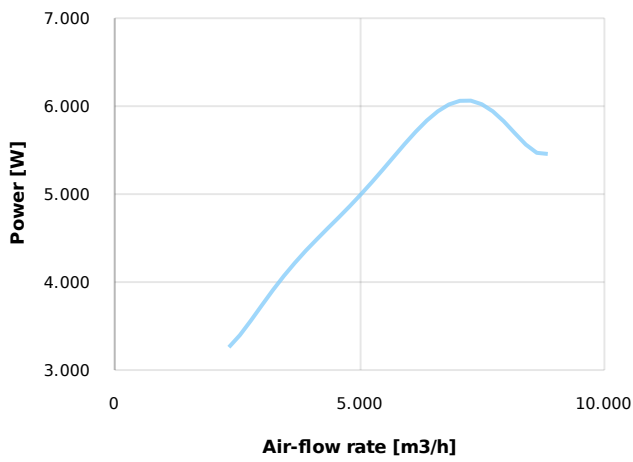
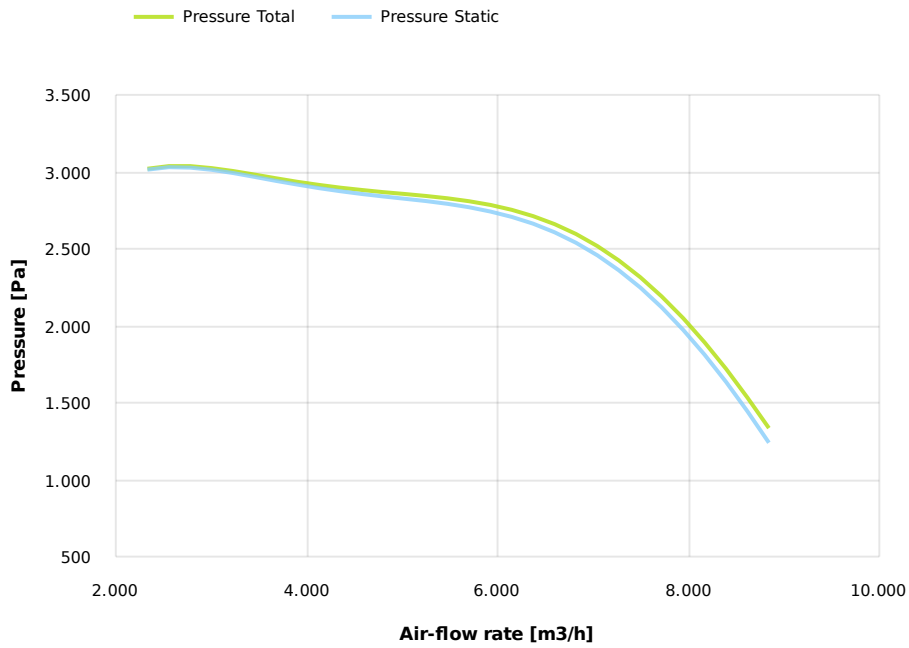
Code	KQ 452 M
Voltage[V]	400
Phases	3
Current[A]	
Poles	2
Weight[kg]	72
Frequency[Hz]	50
Speed[rpm]	2850
Power[kW]	7.5
IP	55
INS	

Table engines

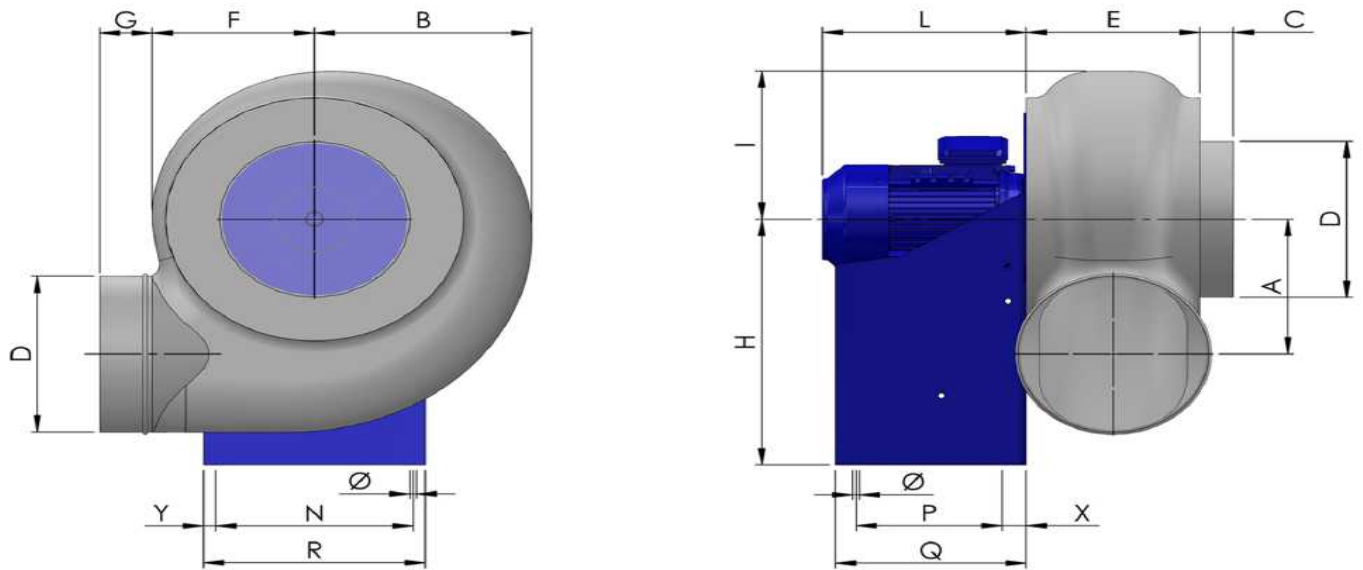
Class IE	IE1	IE2	IE3
Size	132S	132S	132S
Power[kW]	7.5	7.5	7.5
Current[A]	14.14	13.8	13.4
Voltage[V]	400	400	400
Cos φ	0.88	0.89	0.9
n	0.87	0.881	0.901

Options:

- PP Housing
- INOX/Fe+ebonite impeller
- INOX motor support
- labyrinth seal
- flexible connection PVC
- exhaust cap with grid PP/PVC
- drain plug PP
- motor protection cover
- housing splinter protection PVC
- protection grid INOX
- vibration dampers
- deflector cowl PP/PVC
- gravity damper PP/PVC
- adjustable damper
- silencer PP/PVC



Dimensions



A	B	C	D	E	F	G	H	I	L	N	Ø	P	Q
324	400	40	355	287	295	55	550	330	415	370	11	270	340
R				X				Y					
410				40				20					

Configurations & cad

