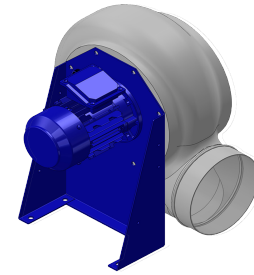


Research Data

Air-flow rate[m ³ /h]	3081
Pressure[Pa]	1644
Pressure type	Psta
Power supply	all
Density[m ³ /h]	1.205



h ············ hh ············

Label

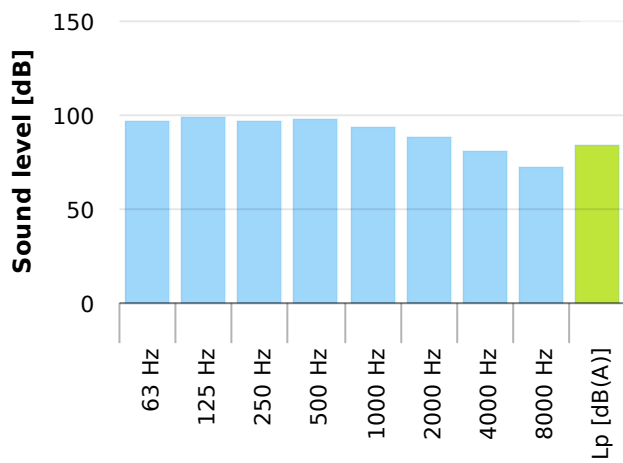
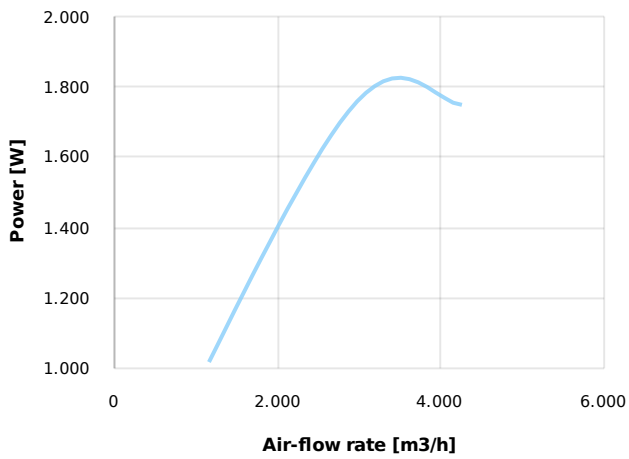
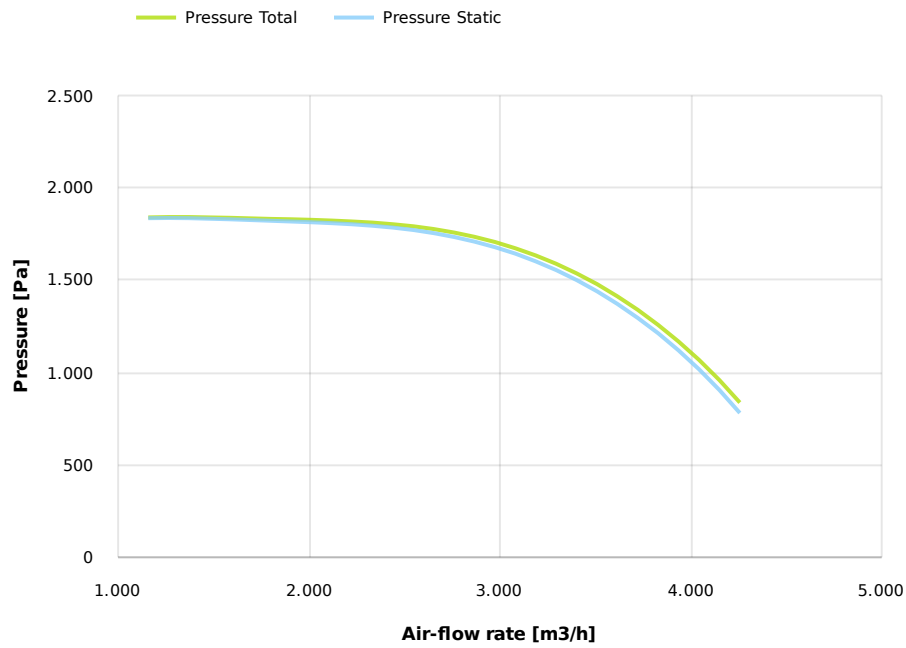
Code	KQ 352 M
Voltage[V]	400
Phases	3
Current[A]	
Poles	2
Weight[kg]	40
Frequency[Hz]	50
Speed[rpm]	2850
Power[kW]	2.2
IP	55
INS	

Table engines

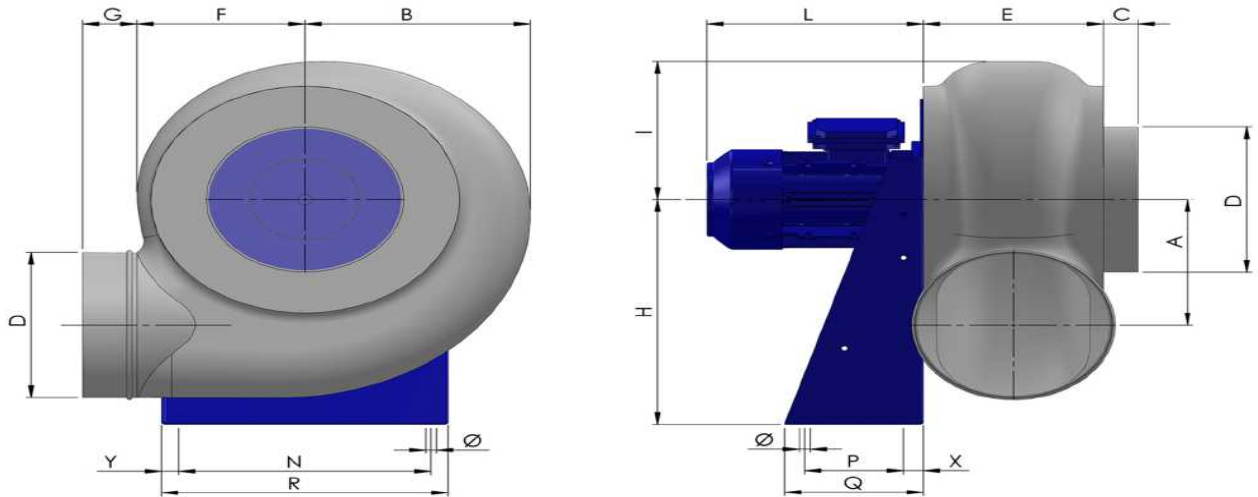
Class IE	IE1	IE2	IE3
Size	90L	90L	90L
Power[kW]	2.2	2.2	2.2
Current[A]	4.61	4.6	4.4
Voltage[V]	400	400	400
Cos φ	0.85	0.83	0.84
n	0.81	0.832	0.859

Options:

- PP Housing
- INOX/Fe+ebonite impeller
- INOX motor support
- labyrinth seal
- flexible connection PVC
- exhaust cap with grid PP/PVC
- drain plug PP
- motor protection cover
- housing splinter protection PVC
- protection grid INOX
- vibration dampers
- deflector cowl PP/PVC
- gravity damper PP/PVC
- adjustable damper
- silencer PP/PVC



Dimensions



A	B	C	D	E	F	G	H	I	L	N	Ø	P	Q
260	312	40	280	237	230	55	445	290	270	355	11	150	230
R				X				Y					
390				40				175					

Configurations & cad

