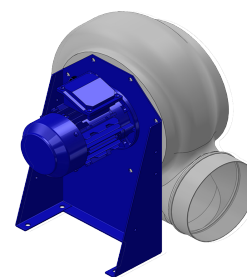


Research Data

Air-flow rate[m ³ /h]	2007
Pressure[Pa]	1301
Pressure type	Psta
Power supply	all
Density[m ³ /h]	1.205



Label

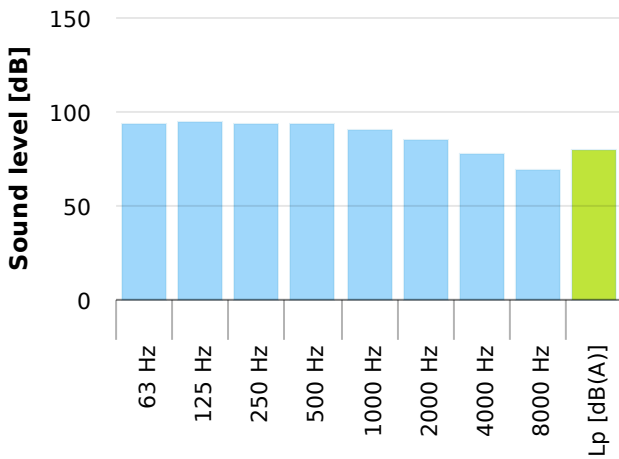
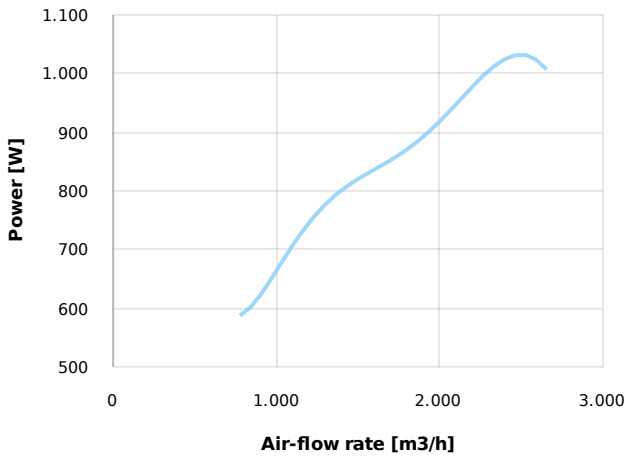
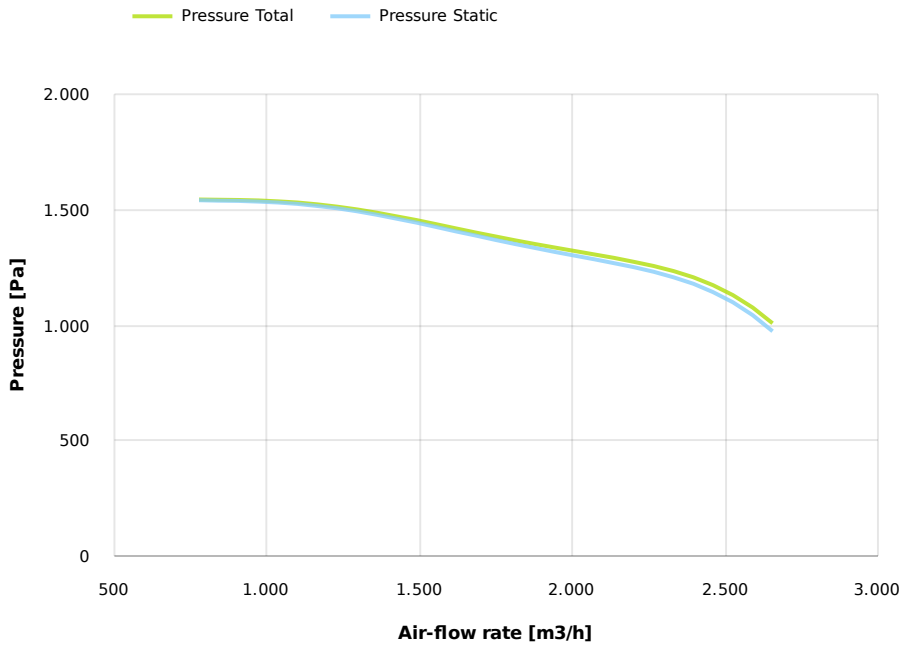
Code	KQ 312M
Voltage[V]	400
Phases	3
Current[A]	
Poles	2
Weight[kg]	32
Frequency[Hz]	50
Speed[rpm]	2850
Power[kW]	1.1
IP	55
INS	

Table engines

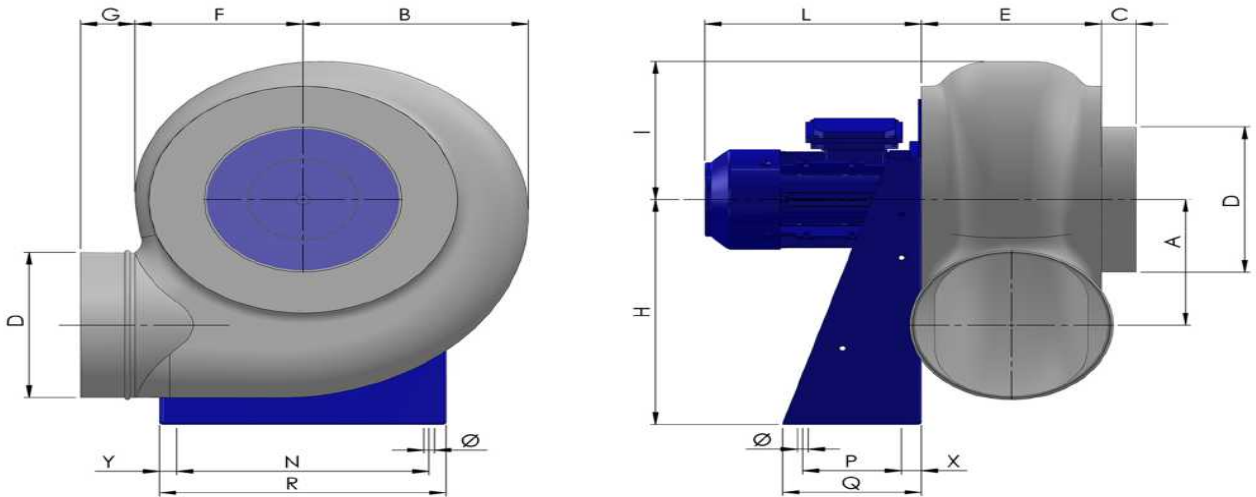
Class IE	IE1	IE2	IE3
Size	80	80	80
Power[kW]	1.1	1.1	1.1
Current[A]	2.51	2.43	2.4
Voltage[V]	400	400	400
Cos φ	0.83	0.82	0.82
n	0.762	0.796	0.827

Options:

- PP Housing
- INOX/Fe+ebonite impeller
- INOX motor support
- labyrinth seal
- flexible connection PVC
- exhaust cap with grid PP/PVC
- drain plug PP
- motor protection cover
- housing splinter protection PVC
- protection grid INOX
- vibration dampers
- deflector cowl PP/PVC
- gravity damper PP/PVC
- adjustable damper
- silencer PP/PVC



Dimensions



A	B	C	D	E	F	G	H	I	L	N	Ø	P	Q
240	280	40	250	200	210	70	410	230	240	320	11	150	230
R				X				Y					
355				40				175					

Configurations & cad

