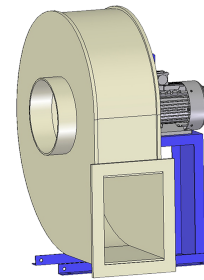


Research Data

Air-flow rate[m ³ /h]	2625
Pressure[Pa]	411.4
Pressure type	Psta
Power supply	all
Density[m ³ /h]	1.205



PP welded housing - PP/INOX impeller - epoxy painted motor support - stainless steel screws

Label

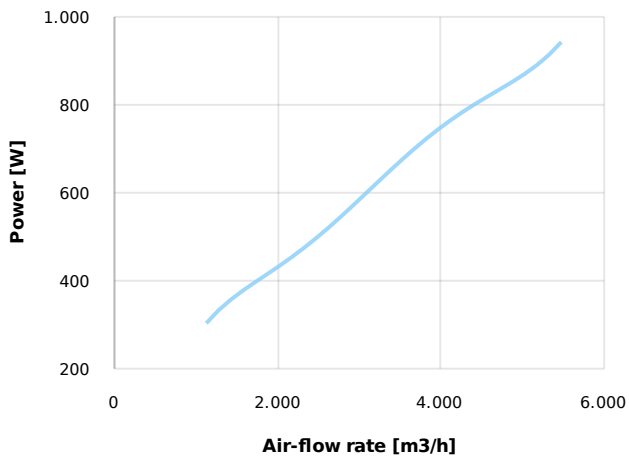
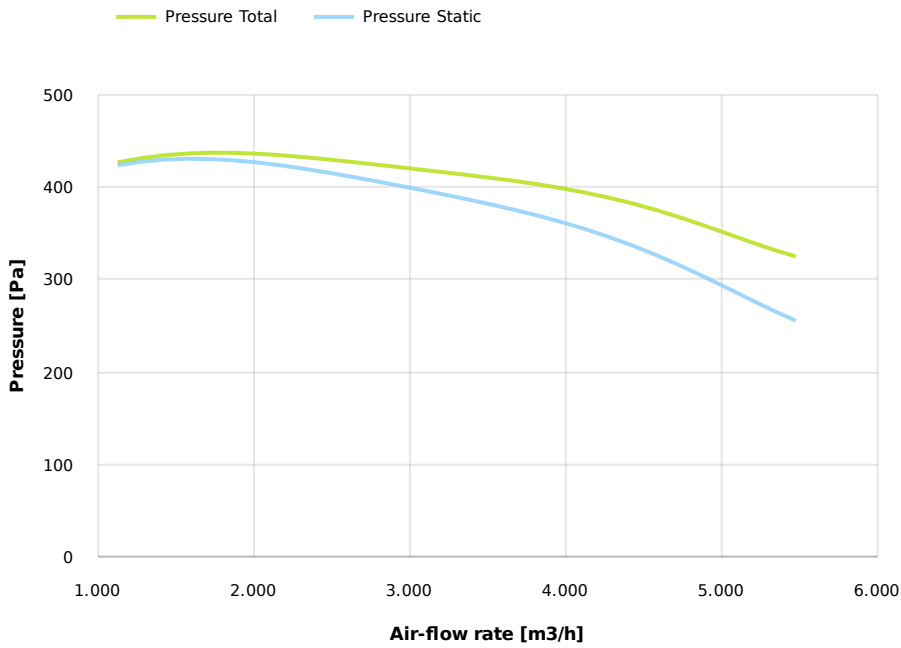
Code	KC 566 W
Voltage[V]	400
Phases	3
Current[A]	
Poles	6
Weight[kg]	87
Frequency[Hz]	50
Speed[rpm]	900
Power[kW]	2.2
IP	55
INS	

Table engines

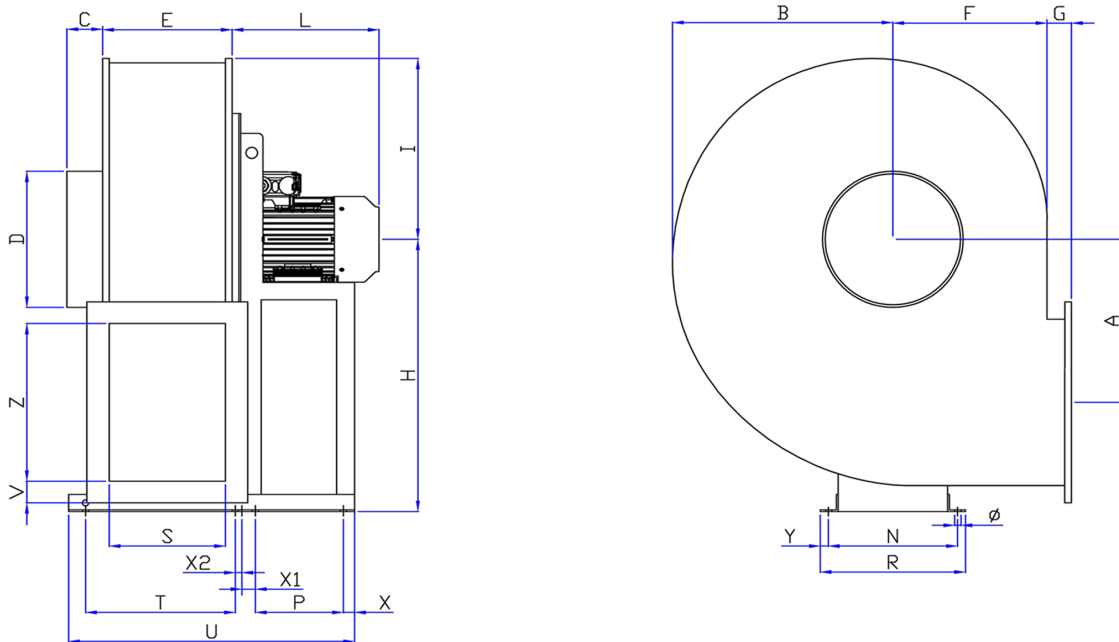
Class IE	IE1	IE2	IE3
Size	112M	112M	112M
Power[kW]	2.2	2.2	2.2
Current[A]	5.43	5.18	5.3
Voltage[V]	400	400	400
Cos φ	0.76	0.75	0.72
n	0.77	0.818	0.843

Options:

- PP Housing
- INOX/Fe+ebonite impeller
- INOX motor support
- labyrinth seal
- flexible connection PVC
- exhaust cap with grid PP/PVC
- drain plug PP
- motor protection cover
- housing splinter protection PVC
- protection grid INOX
- vibration dampers
- deflector cowl PP/PVC
- gravity damper PP/PVC
- adjustable damper
- silencer PP/PVC



Dimensions



A	B	C	D	E	F	G	H	I	L	N	Ø	P	R
416	560	80	400	330	388	50	710	445	330	289	14	270	325
S	T	U	V	X	X1	X2	Y	Z					
310	355	728	50	25	40	15	18	460					

Configurations & cad

