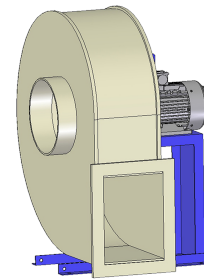


Research Data

Air-flow rate[m ³ /h]	1727
Pressure[Pa]	420.8
Pressure type	Psta
Power supply	all
Density[m ³ /h]	1.205

Label

Code	KC 506 W
Voltage[V]	400
Phases	3
Current[A]	
Poles	6
Weight[kg]	62
Frequency[Hz]	50
Speed[rpm]	930
Power[kW]	0.18
IP	55
INS	



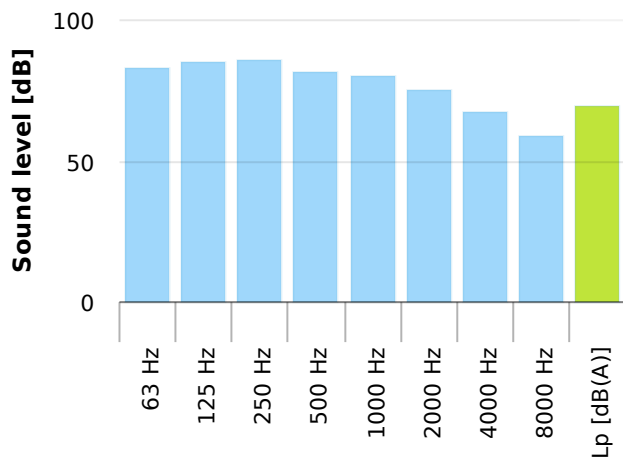
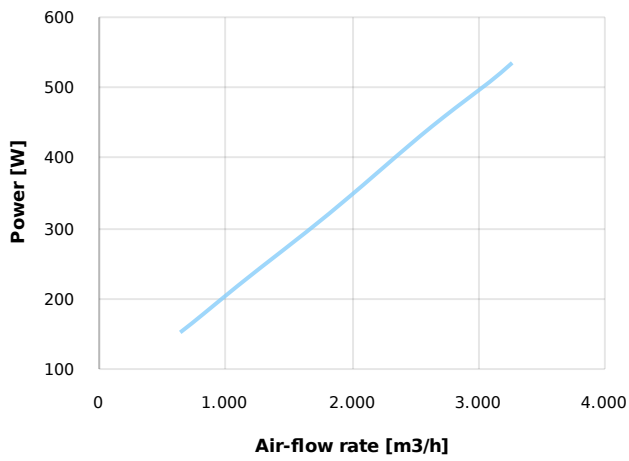
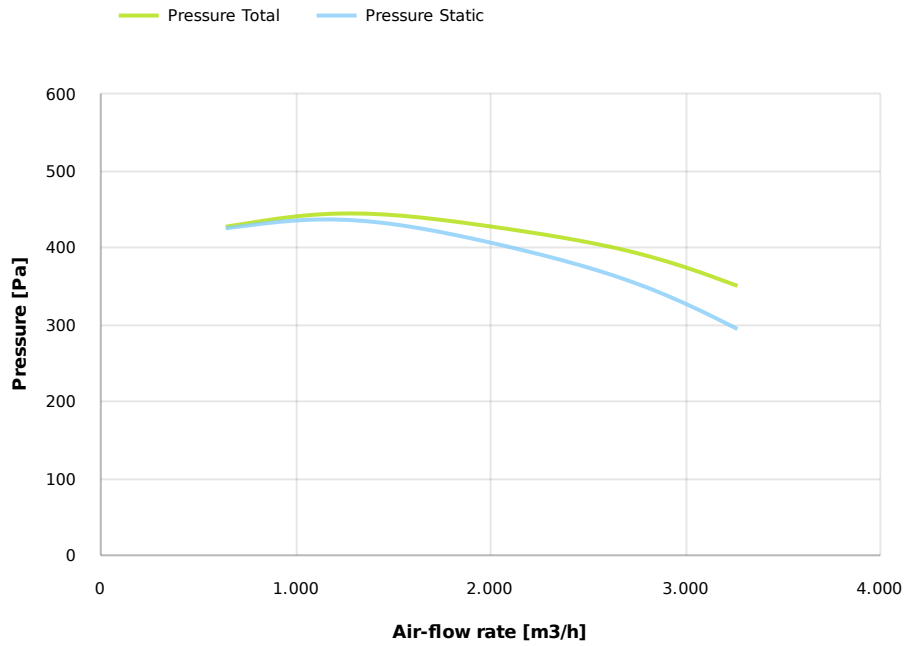
PP welded housing - PP/INOX impeller - epoxy painted motor support - stainless steel screws

Table engines

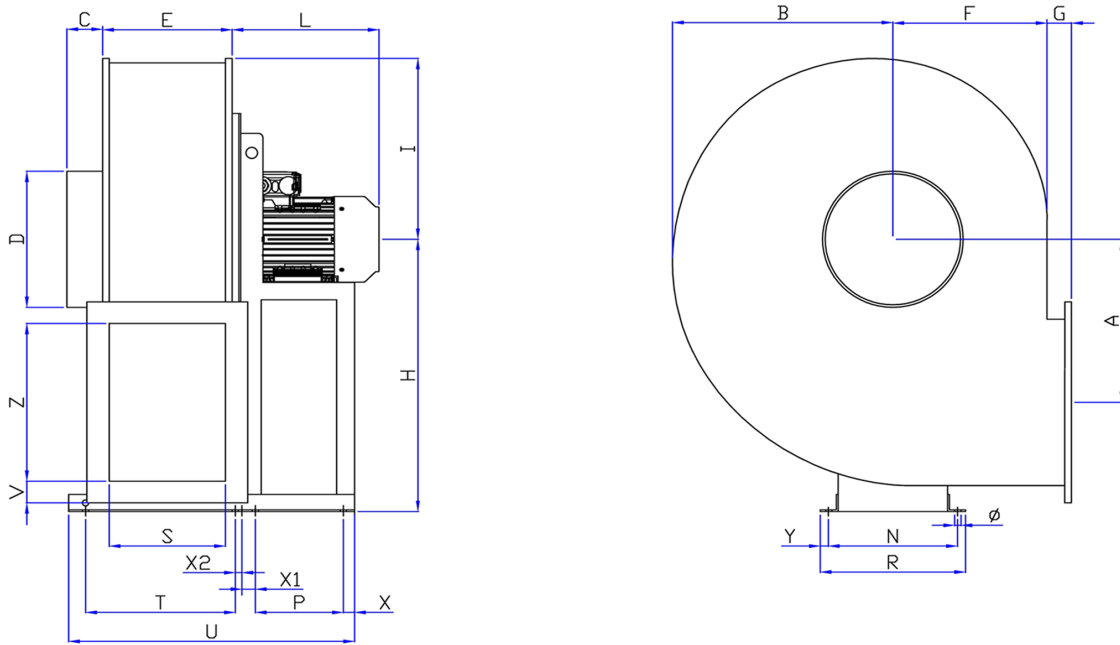
Motors data are not available

Options:

- PP Housing
- INOX/Fe+ebonite impeller
- INOX motor support
- labyrinth seal
- flexible connection PVC
- exhaust cap with grid PP/PVC
- drain plug PP
- motor protection cover
- housing splinter protection PVC
- protection grid INOX
- vibration dampers
- deflector cowl PP/PVC
- gravity damper PP/PVC
- adjustable damper
- silencer PP/PVC



Dimensions



A	B	C	D	E	F	G	H	I	L	N	Ø	P	R
337	390	80	315	280	450	50	630	395	250	289	14	197	325
S	T	U	V	X	X1	X2	Y	Z					
260	335	635	50	25	30	15	18	365					

Configurations & cad

