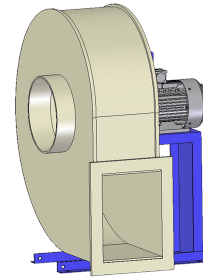


## Research Data

Air-flow rate[m <sup>3</sup> /h]	2693
Pressure[Pa]	1023
Pressure type	Psta
Power supply	all
Density[m <sup>3</sup> /h]	1.205



PP welded housing - PP/INOX impeller - epoxy painted motor support - stainless steel screws

## Label

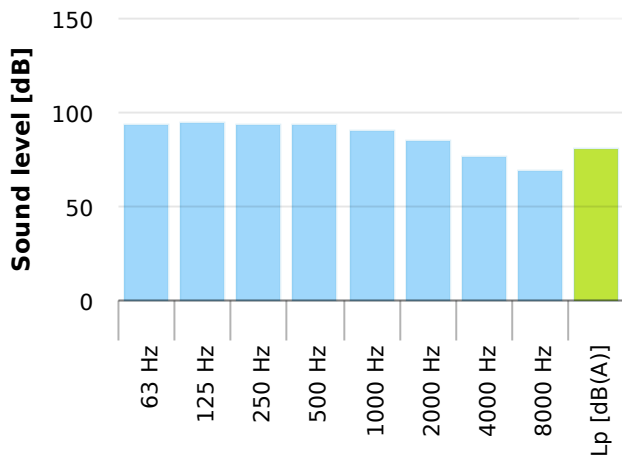
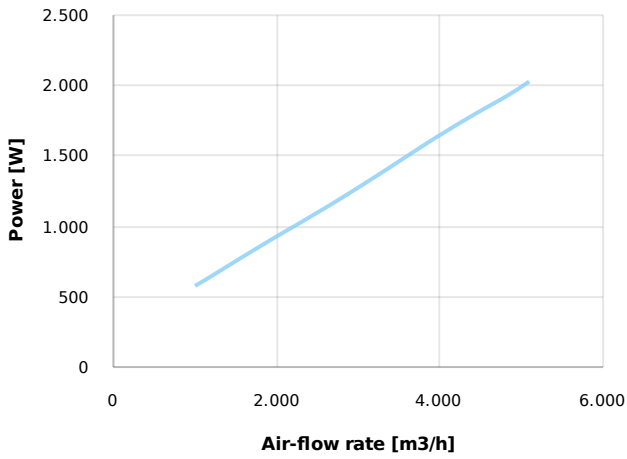
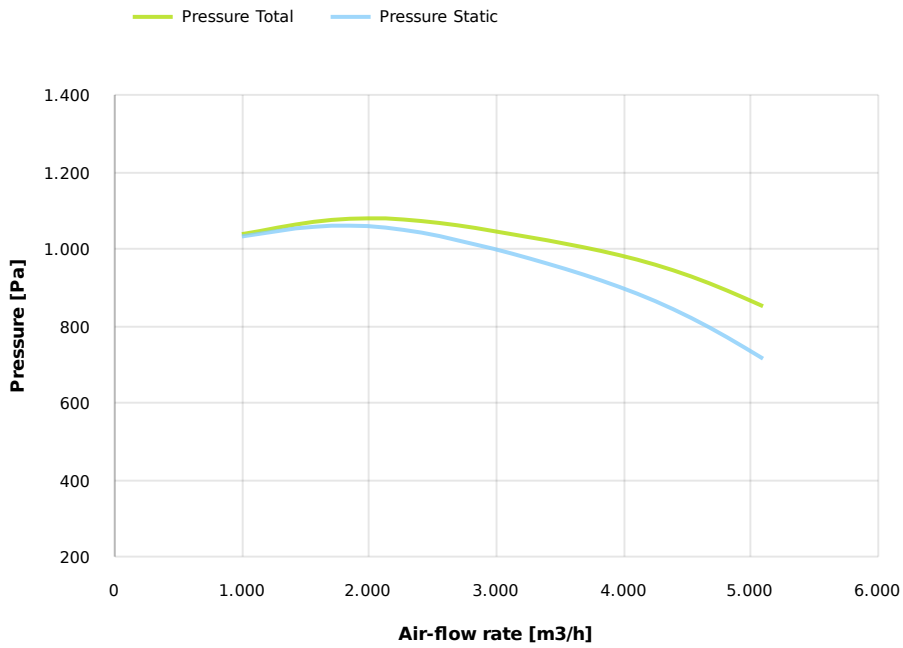
Code	KC 504 W
Voltage[V]	400
Phases	3
Current[A]	
Poles	4
Weight[kg]	70
Frequency[Hz]	50
Speed[rpm]	1450
Power[kW]	2.2
IP	55
INS	

## Table engines

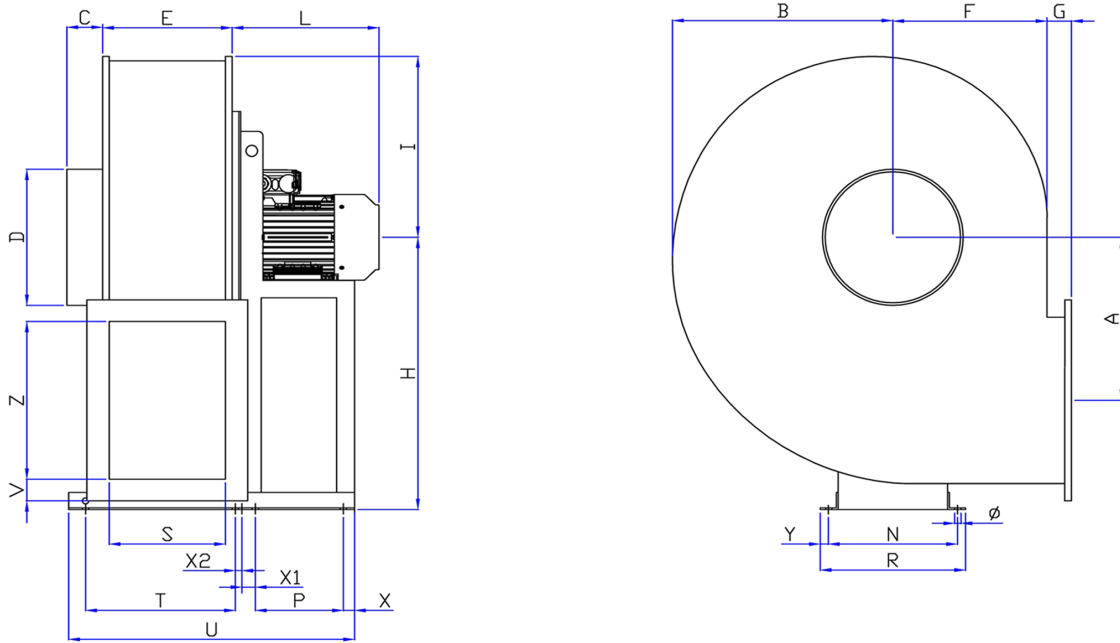
Class IE	IE1	IE2	IE3
Size	100L	100L	100L
Power[kW]	2.2	2.2	2.2
Current[A]	4.84	4.89	4.5
Voltage[V]	400	400	400
Cos φ	0.81	0.77	0.82
n	0.81	0.843	0.867

## Options:

- PP Housing
- INOX/Fe+ebonite impeller
- INOX motor support
- labyrinth seal
- flexible connection PVC
- exhaust cap with grid PP/PVC
- drain plug PP
- motor protection cover
- housing splinter protection PVC
- protection grid INOX
- vibration dampers
- deflector cowl PP/PVC
- gravity damper PP/PVC
- adjustable damper
- silencer PP/PVC



## Dimensions



A	B	C	D	E	F	G	H	I	L	N	Ø	P	R
337	390	80	315	280	450	50	630	395	300	289	14	197	325
S	T	U	V	X	X1	X2	Y	Z					
260	335	635	50	25	30	15	18	365					

## Configurations & cad

