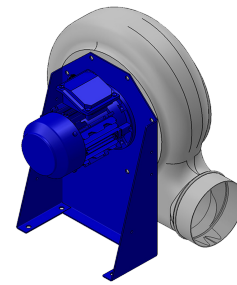


## Research Data

Air-flow rate[m <sup>3</sup> /h]	892
Pressure[Pa]	2672
Pressure type	Psta
Power supply	all
Density[m <sup>3</sup> /h]	1.205



Pe moulded housing - PP impeller - Epoxy painted motor support - Stainless steel screws

## Label

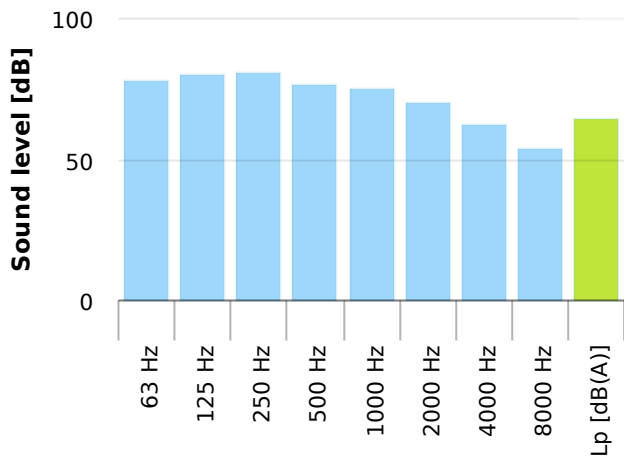
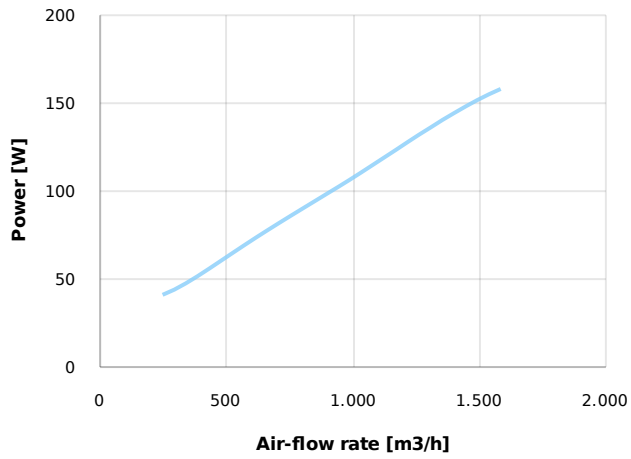
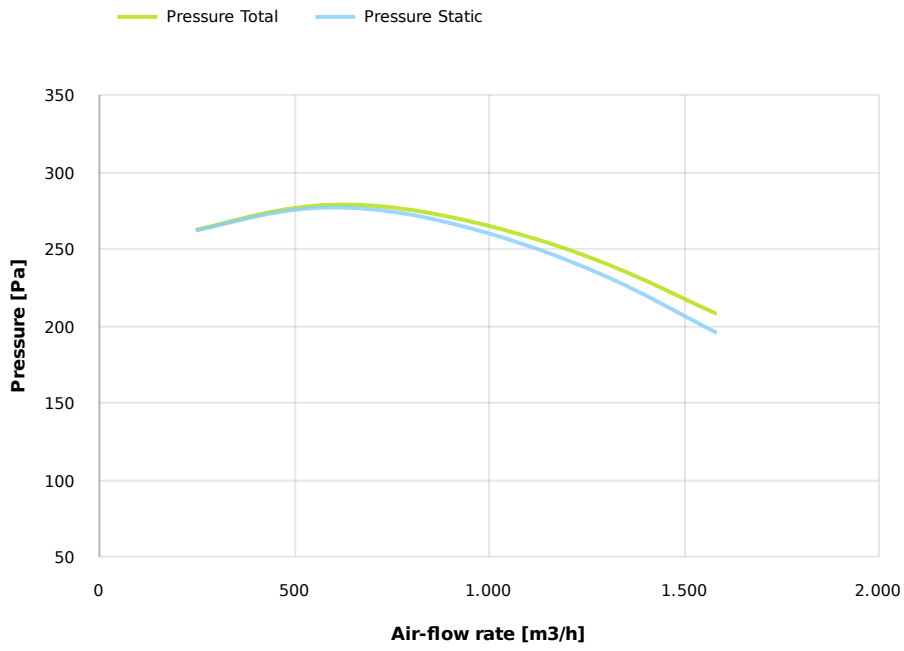
Code	KC 406 M
Voltage[V]	400
Phases	3
Current[A]	
Poles	6
Weight[kg]	30
Frequency[Hz]	50
Speed[rpm]	920
Power[kW]	0.25
IP	55
INS	

## Table engines

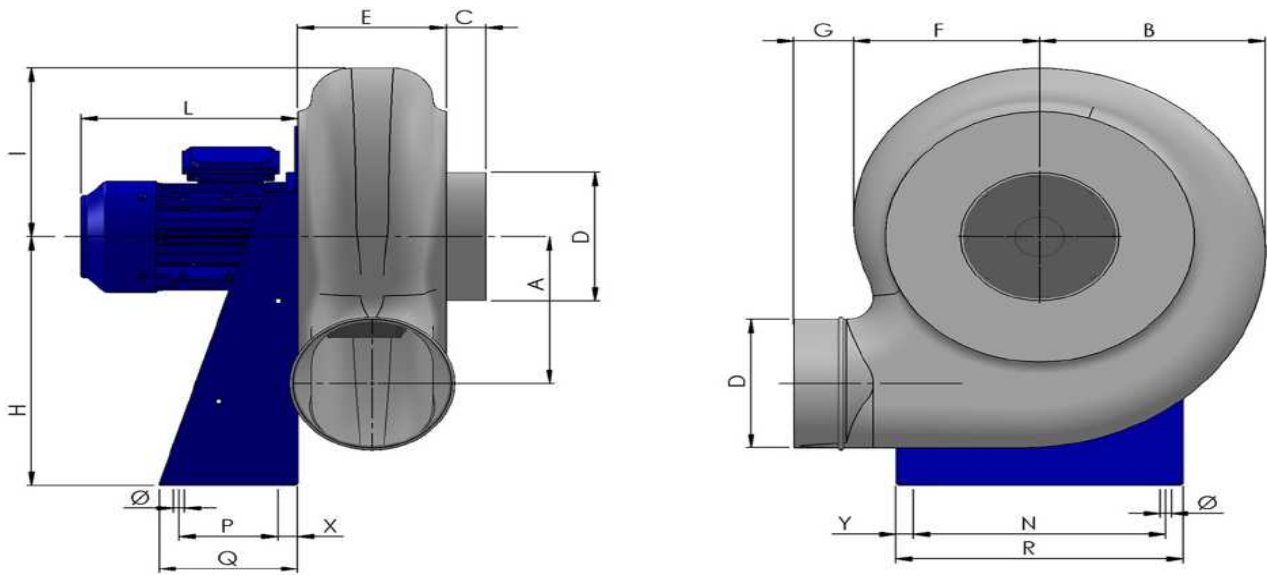
Class IE	IE1
Size	71
Power[kW]	0.25
Current[A]	0.87
Voltage[V]	400
Cos φ	0.7
n	0.59

## Options:

- PP Housing
- INOX/Fe+ebonite impeller
- INOX motor support
- labyrinth seal
- flexible connection PVC
- exhaust cap with grid PP/PVC
- drain plug PP
- motor protection cover
- housing splinter protection PVC
- protection grid INOX
- vibration dampers
- deflector cowl PP/PVC
- gravity damper PP/PVC
- adjustable damper
- silencer PP/PVC



## Dimensions



A	B	C	D	E	F	G	H	I	L	N	Ø	P	Q
290	380	40	250	194	265	80	495	330	220	330	11	170	250
		R					X					Y	
		365					40					20	

## Configurations & cad

