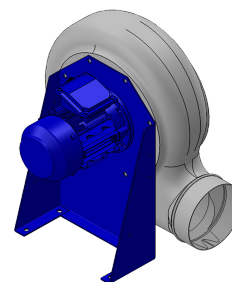


## Research Data

|                                  |       |
|----------------------------------|-------|
| Air-flow rate[m <sup>3</sup> /h] | 985   |
| Pressure[Pa]                     | 1080  |
| Pressure type                    | Psta  |
| Power supply                     | all   |
| Density[m <sup>3</sup> /h]       | 1.205 |



Pe moulded housing - PP impeller - Epoxy painted motor support - Stainless steel screws

## Label

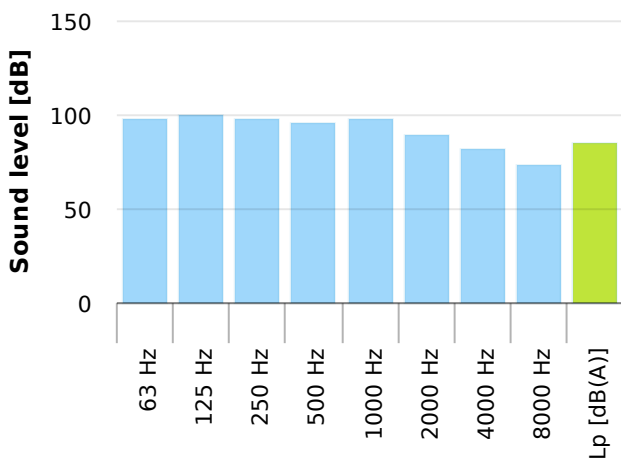
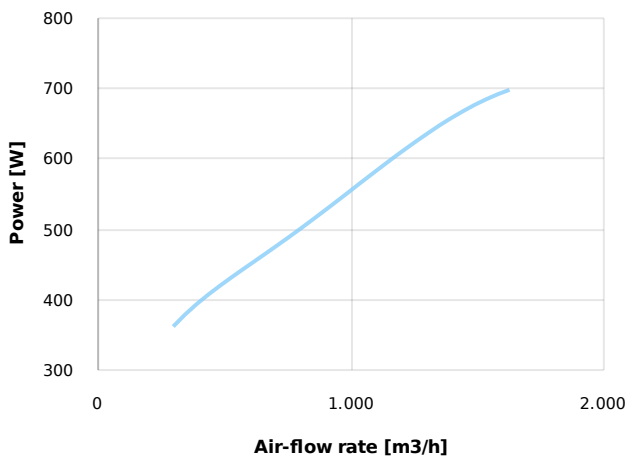
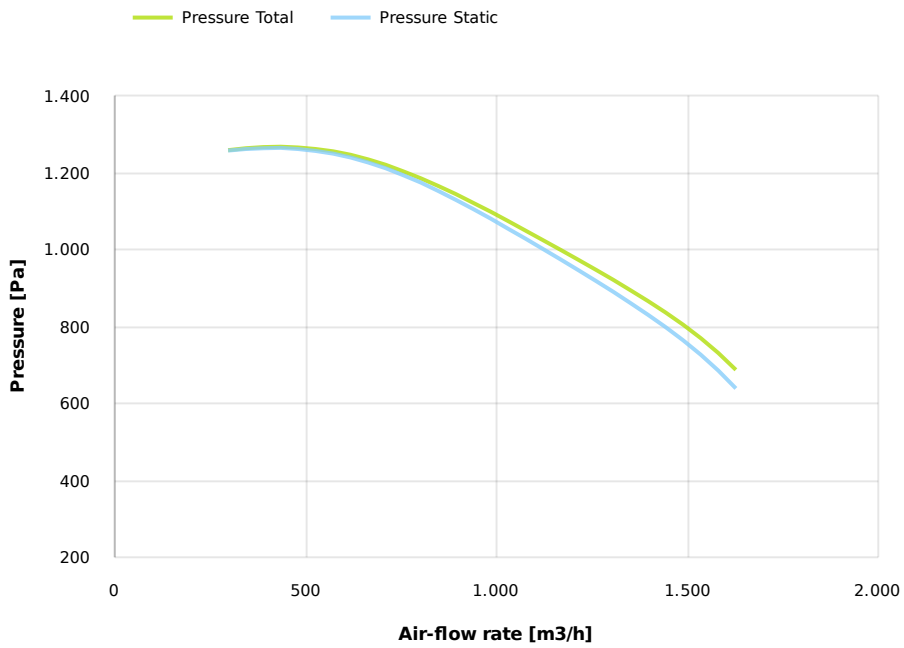
|               |          |
|---------------|----------|
| Code          | KC 282 M |
| Voltage[V]    | 400      |
| Phases        | 3        |
| Current[A]    |          |
| Poles         | 2        |
| Weight[kg]    | 19       |
| Frequency[Hz] | 50       |
| Speed[rpm]    | 2850     |
| Power[kW]     | 1.1      |
| IP            | 55       |
| INS           |          |

## Table engines

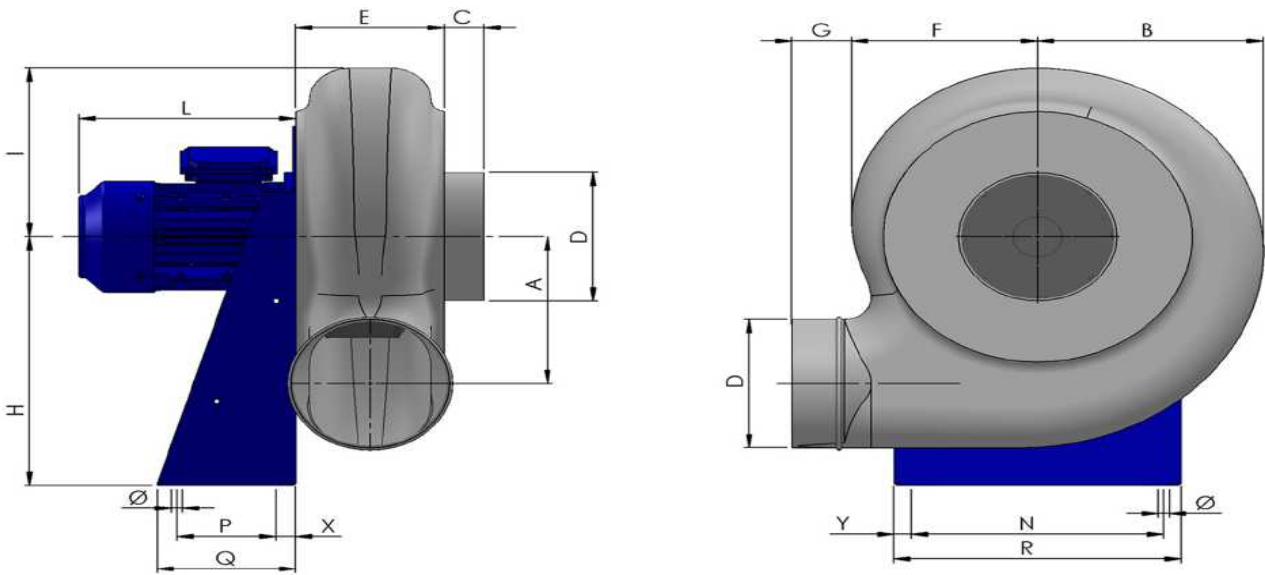
| Class IE      | IE1   | IE2   | IE3   |
|---------------|-------|-------|-------|
| Size          | 80    | 80    | 80    |
| Power[kW]     | 1.1   | 1.1   | 1.1   |
| Current[A]    | 2.51  | 2.43  | 2.4   |
| Voltage[V]    | 400   | 400   | 400   |
| Cos $\varphi$ | 0.83  | 0.82  | 0.82  |
| n             | 0.762 | 0.796 | 0.827 |

## Options:

- PP Housing
- INOX/Fe+ebonite impeller
- INOX motor support
- labyrinth seal
- flexible connection PVC
- exhaust cap with grid PP/PVC
- drain plug PP
- motor protection cover
- housing splinter protection PVC
- protection grid INOX
- vibration dampers
- deflector cowl PP/PVC
- gravity damper PP/PVC
- adjustable damper
- silencer PP/PVC



## Dimensions



| A   | B   | C   | D   | E   | F   | G  | H   | I   | L   | N   | Ø  | P   | Q   |
|-----|-----|-----|-----|-----|-----|----|-----|-----|-----|-----|----|-----|-----|
| 208 | 274 | 40  | 180 | 160 | 204 | 60 | 350 | 230 | 240 | 277 | 11 | 120 | 190 |
|     |     | R   |     |     |     |    | X   |     |     |     |    | Y   |     |
|     |     | 316 |     |     |     |    | 35  |     |     |     |    | 18  |     |

## Configurations & cad

