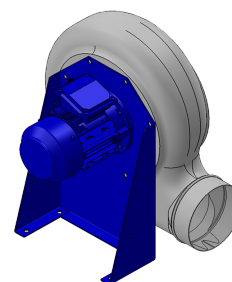


Research Data

Air-flow rate[m ³ /h]	393
Pressure[Pa]	181.7
Pressure type	Psta
Power supply	all
Density[m ³ /h]	1.205



Pe moulded housing - PP impeller - Epoxy painted motor support - Stainless steel screws

Label

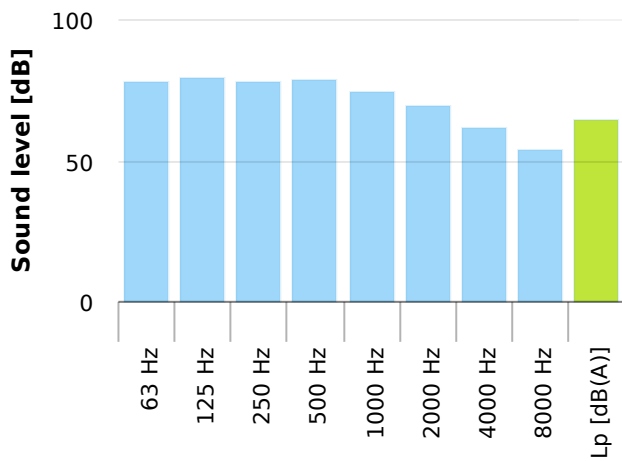
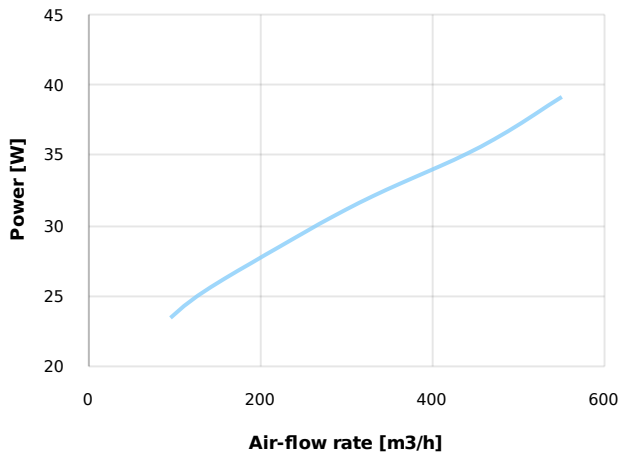
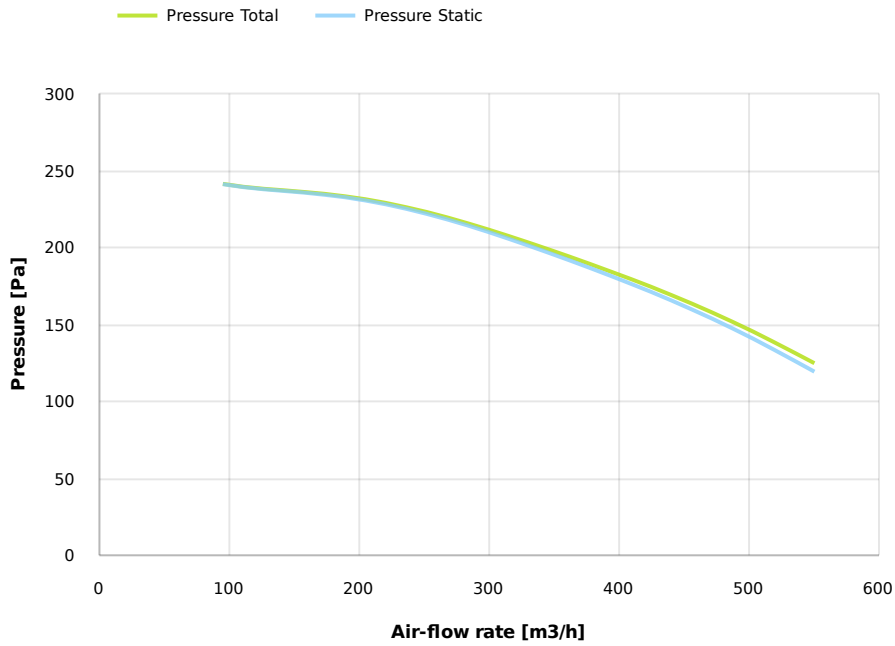
Code	KC 254 M
Voltage[V]	400
Phases	3
Current[A]	
Poles	4
Weight[kg]	10
Frequency[Hz]	50
Speed[rpm]	1370
Power[kW]	0.18
IP	55
INS	

Table engines

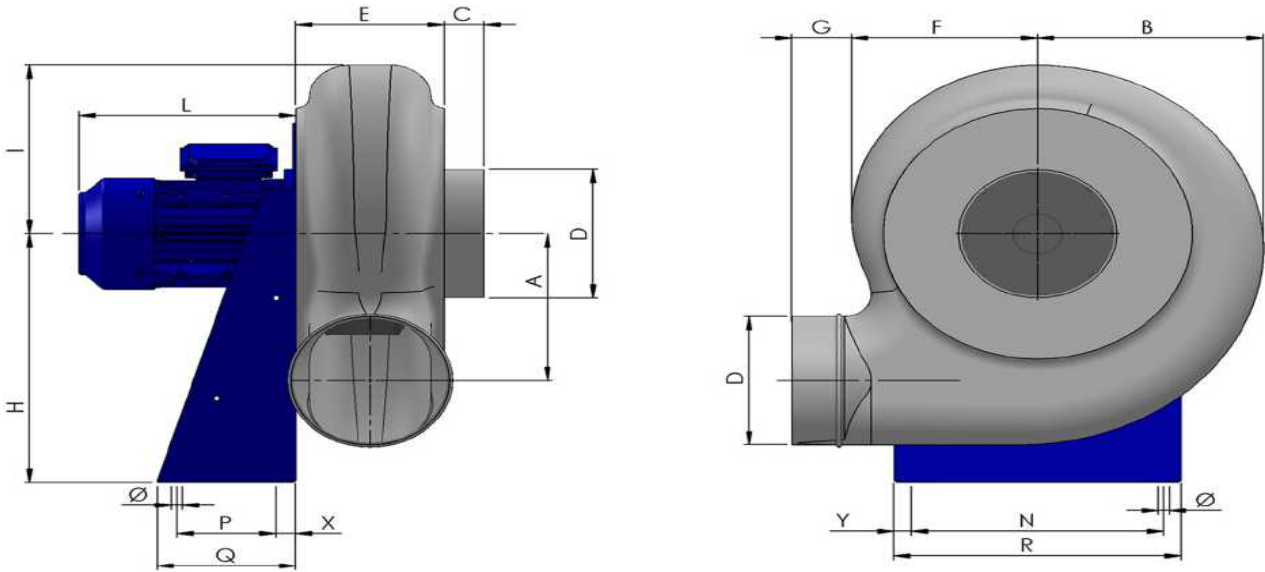
Class IE	IE1
Size	63
Power[kW]	0.18
Current[A]	0.68
Voltage[V]	400
Cos ϕ	0.65
n	0.59

Options:

- PP Housing
- INOX/Fe+ebonite impeller
- INOX motor support
- labyrinth seal
- flexible connection PVC
- exhaust cap with grid PP/PVC
- drain plug PP
- motor protection cover
- housing splinter protection PVC
- protection grid INOX
- vibration dampers
- deflector cowl PP/PVC
- gravity damper PP/PVC
- adjustable damper
- silencer PP/PVC



Dimensions



A	B	C	D	E	F	G	H	I	L	N	Ø	P	Q
183	228	40	160	153	188	60	310	210	190	255	11	100	140
R				X				Y					
290				20				175					

Configurations & cad

