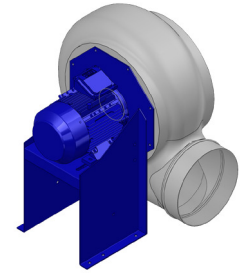


Research Data

Air-flow rate[m ³ /h]	795
Pressure[Pa]	205.9
Pressure type	Psta
Power supply	all
Density[m ³ /h]	1.205



Label

Code	K284
Voltage[V]	400
Phases	3
Current[A]	
Poles	4
Weight[kg]	14
Frequency[Hz]	50
Speed[rpm]	1370
Power[kW]	0.18
IP	55
INS	

Execution:

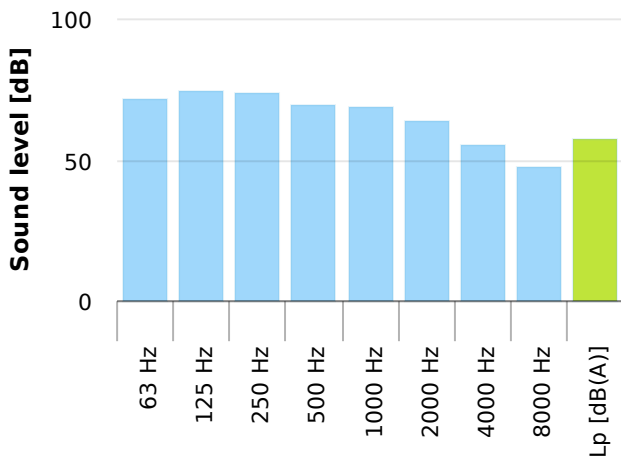
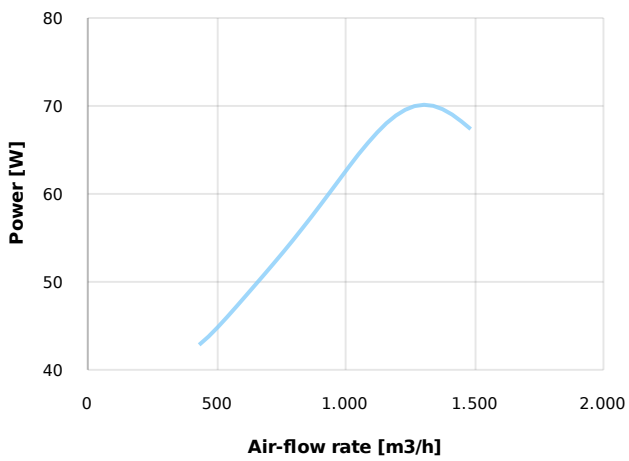
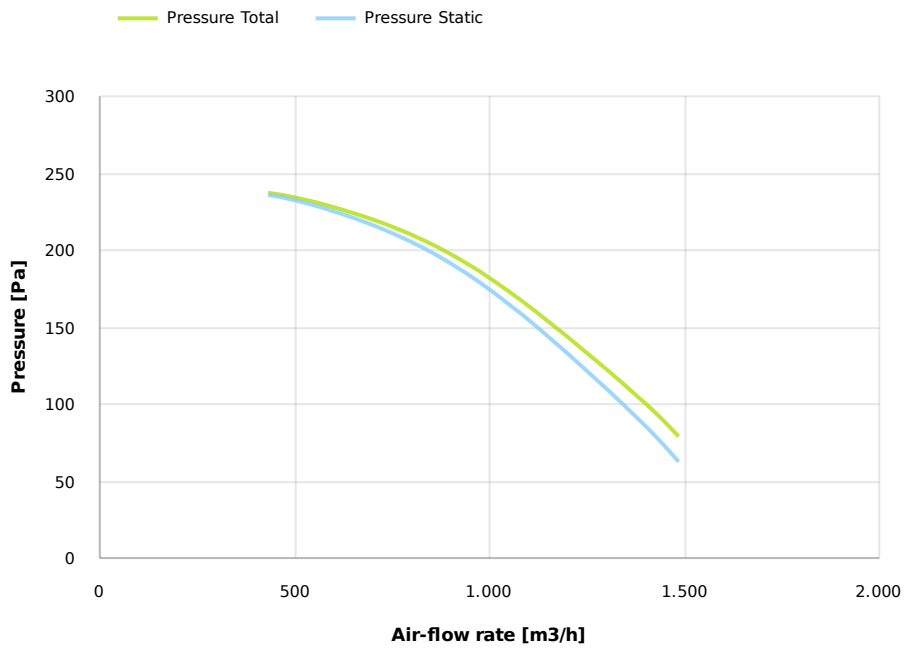
- Pe moulded housing
- PP impeller
- epoxy painted motor support
- stainless steel screw

Table engines

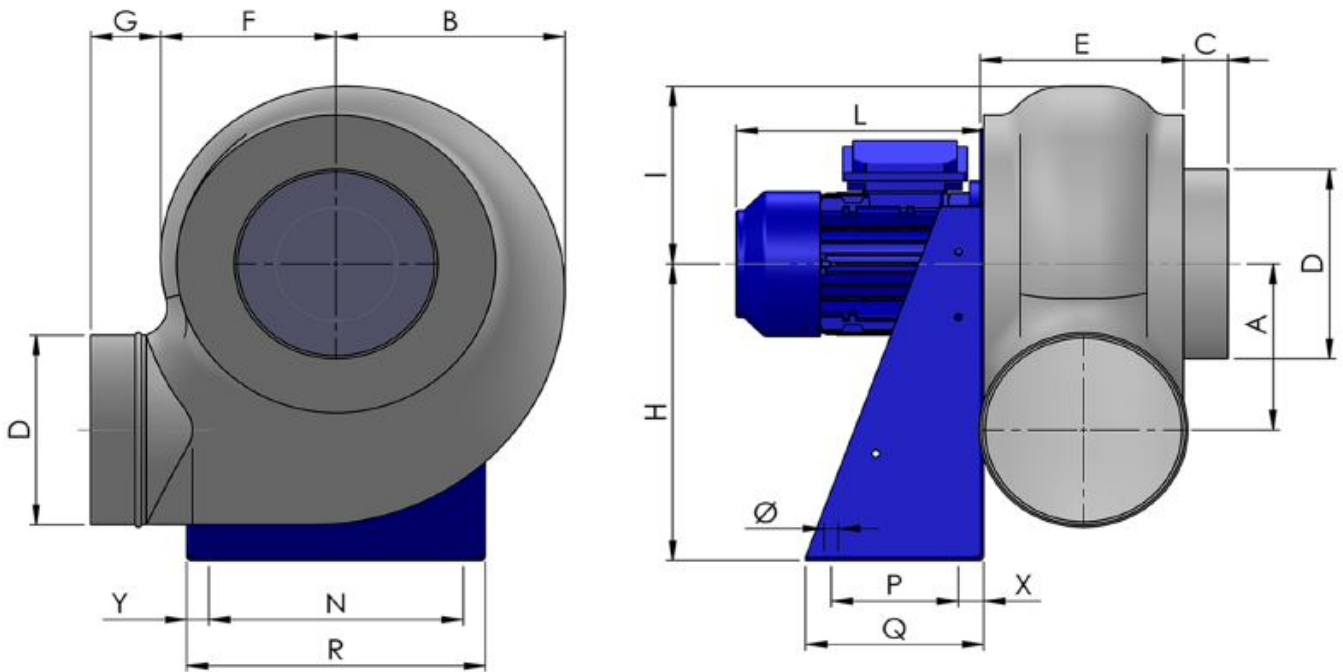
Class IE	IE1
Size	63
Power[kW]	0.18
Current[A]	0.68
Voltage[V]	400
Cos ϕ	0.65
n	0.59

Options:

- PP Housing
- INOX/Fe+ebonite impeller
- INOX motor support
- labyrinth seal
- flexible connection PVC
- exhaust cap with grid PP/PVC
- drain plug PP
- motor protection cover
- housing splinter protection PVC
- protection grid INOX
- vibration dampers
- deflector cowl PP/PVC
- gravity damper PP/PVC
- adjustable damper
- silencer PP/PVC



Dimensions



A	B	C	D	E	F	G	H	I	L	N	Ø	P	Q
208	255	40	225	195	190	70	350	210	190	280	11	120	190
R				X				Y					
316				35				18					

Configurations & cad

