

## Fast clamp Ø100

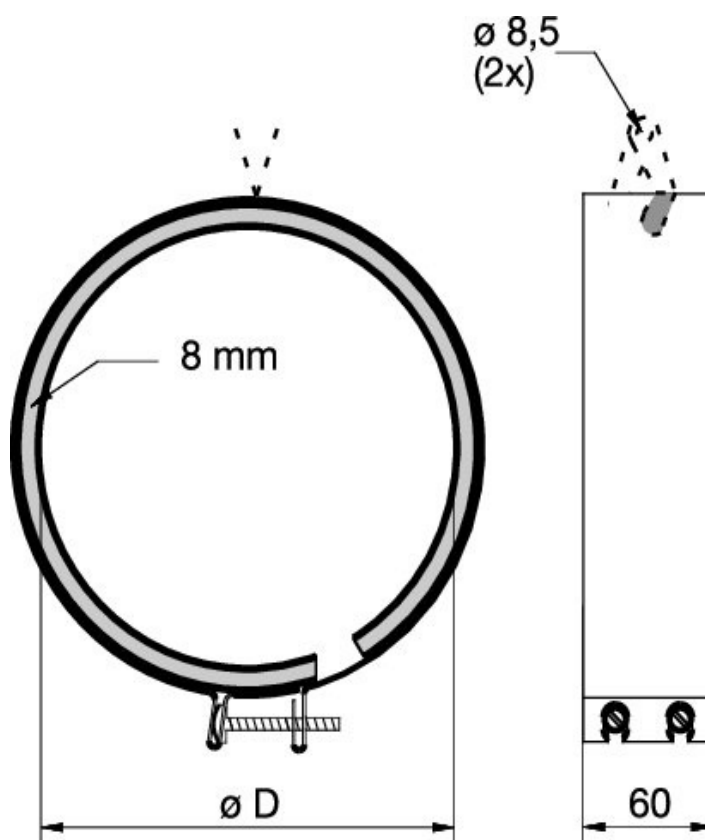


These fast clamps facilitate with the installation and removal of fans for service and cleaning. The extra holes make it easy to install the fan in a canal. The fast clamps are made from galvanised sheet steel and fitted with an 8 mm neoprene lining which suppresses vibrations and ensures a tight fit.

### General data:

Weight	0,2	kg
--------	-----	----

### Dimension:



ØA
100