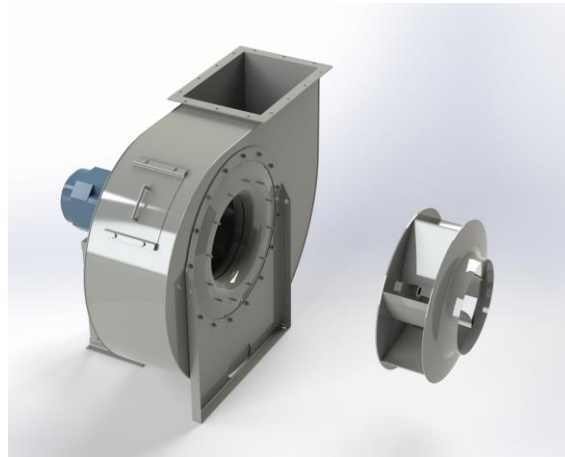


## EU 901



### Centrifugal fan model EU, Es.4

Single inlet fan, direct driven with an IEC-standard motor in form B3 which is mounted on a motorbase. The overhang impeller is mounted on the motor shaft and has backwardly curved blades. The blades are welded between the back plate disc and the aerodynamically formed front plate. The robust industrial fan is totally made of steel and painted in the agate grey color RAL 7037. The fan is suitable for the transportation of clean and slightly dusty air.

#### General data:

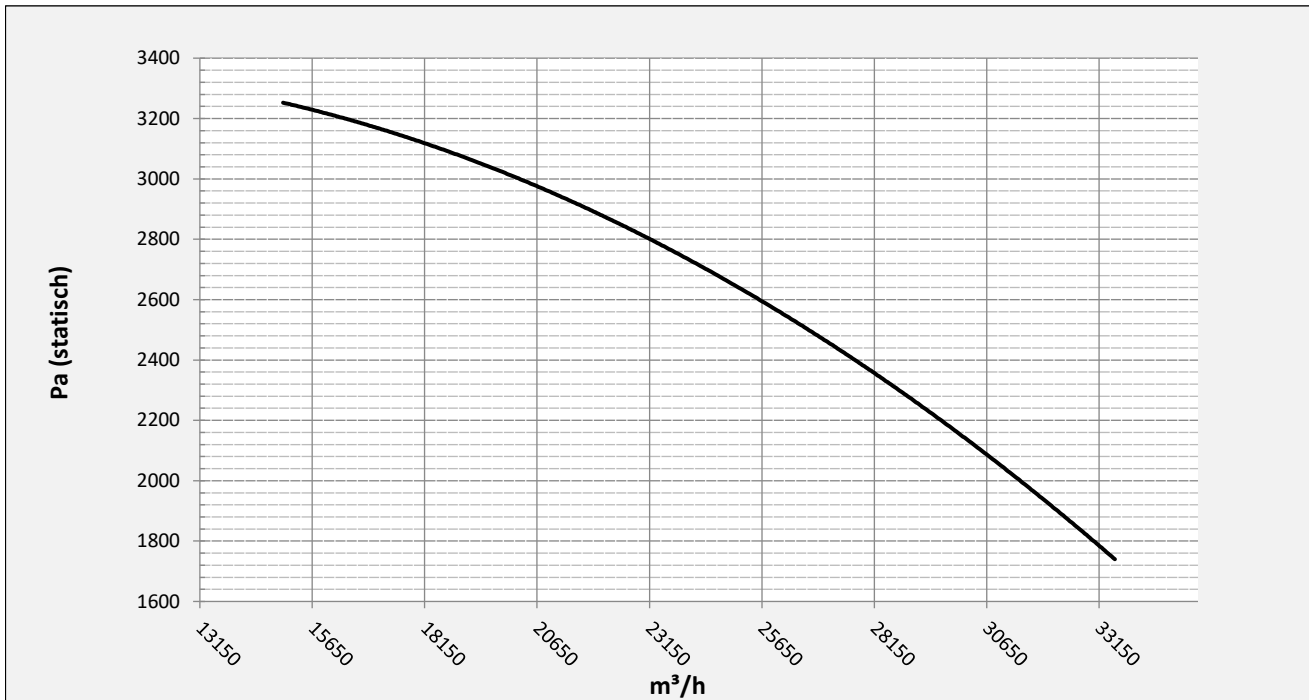
|                               |                         |
|-------------------------------|-------------------------|
| Drive                         | direct                  |
| Motor position                | horizontal              |
| Material casing/base          | Steel                   |
| Material impeller/hub         | Steel                   |
| Motorcoating/protection       | RAL 7037                |
| Operating temperature (max.)  | 15 (80) °C              |
| Medium density (altitude 0 m) | 1,226 kg/m <sup>3</sup> |
| Impeller speed                | 1480 rpm                |
| Weight                        | 655 kg                  |
| Sound pressure level ±3       | 83 dB(A)                |

*(at 1,5 m near the fan with inlet and outlet ducted, in free field)*

#### Electric motor:

|                   |            |      |
|-------------------|------------|------|
|                   | 200L       | IEC  |
| Power             | 30         | kW   |
| Motor speed       | 1.480      | rpm  |
| Electric supply   | 3x400V50Hz | V/Hz |
| Full load current | 57,1       | A    |
| Enclosure         | 55         | IP   |
| Shape             | B3T        |      |
| Efficiency class  | IE3        |      |

**Curve EU 901 @ 1480rpm @ 15°C @ 0m**



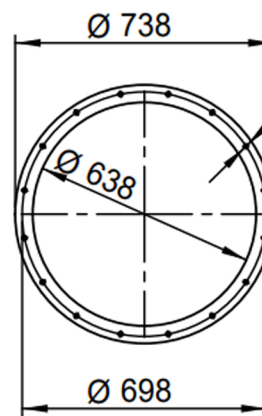
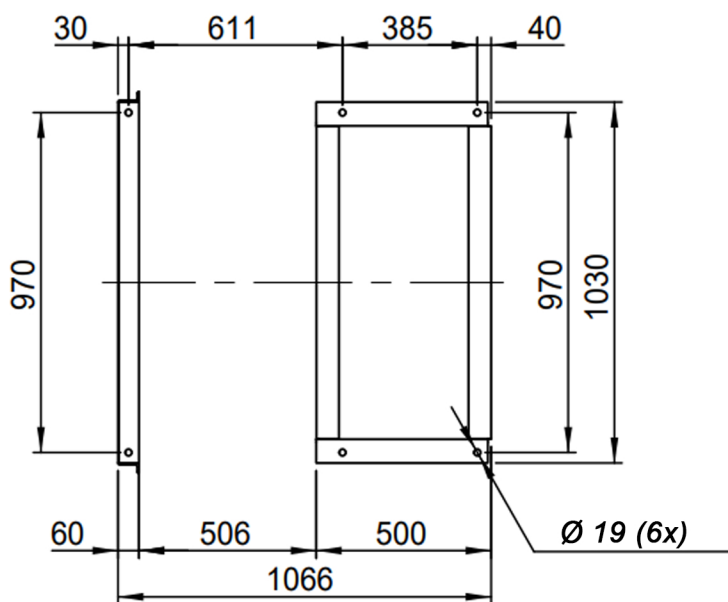
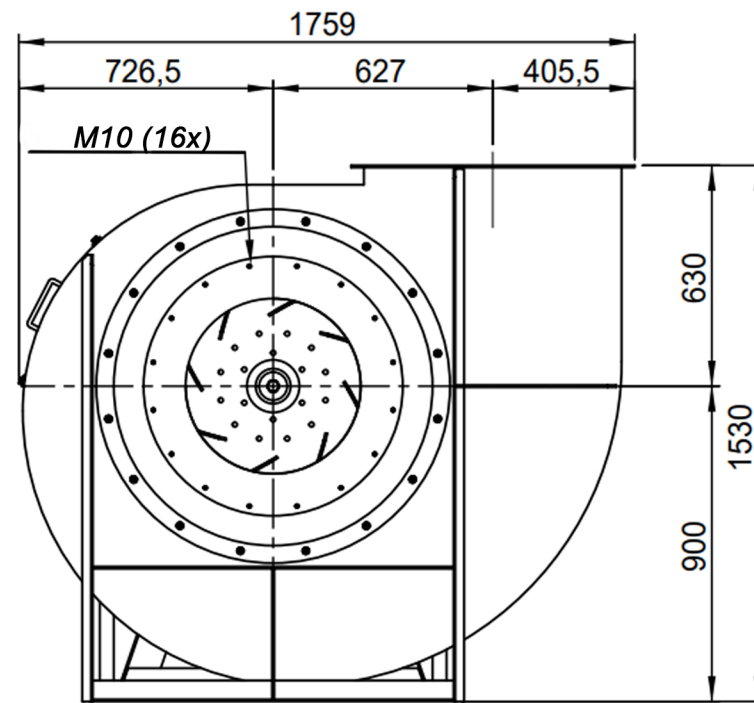
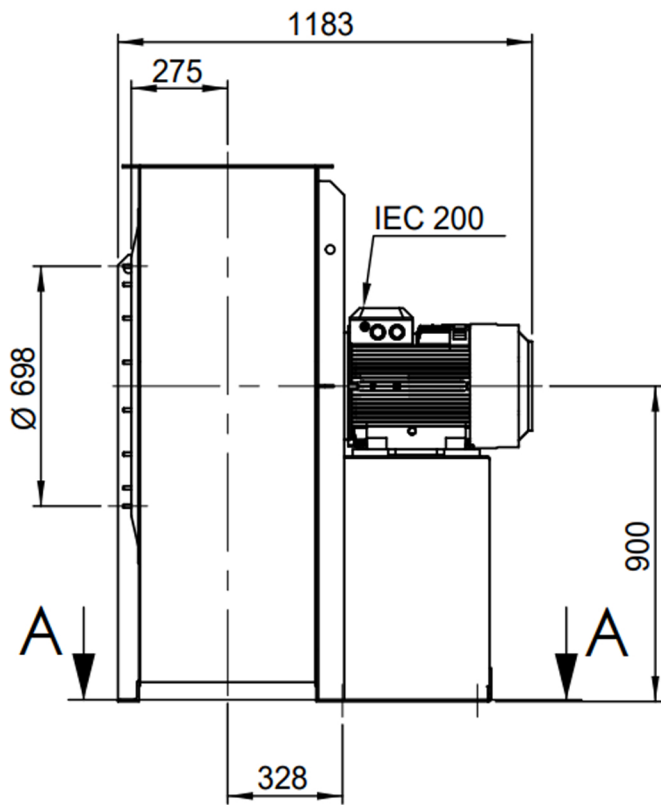
**Possible discharge positions:**



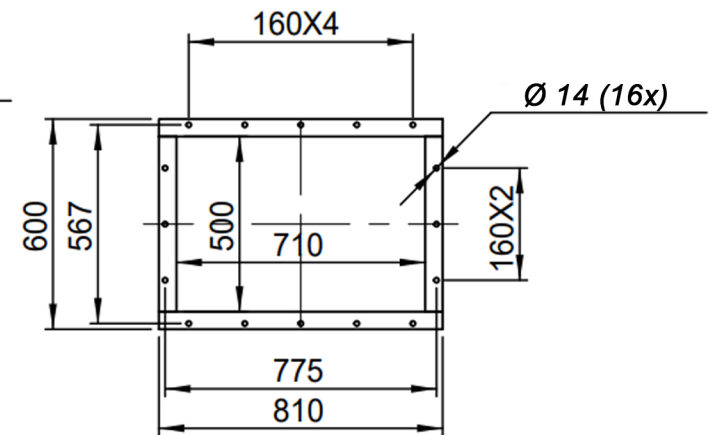
\* (Pos 180 and 225 extra price)


**Possible accessories**

|   |                           |
|---|---------------------------|
| Mounting profiles for load distribution     | --                        |
| Counterflange inlet/outlet                  | zz Ø630 / pz 710x500      |
| Flexible connection inlet/outlet max. 80°C  | zz Ø710 / pz Ø900         |
| Anti-vibration mountings                    | 6x 70x45/B/40° ShA        |
| Inspection door                             |                           |
| Drain connection                            |                           |
| Shaft seal without asbestos                 |                           |
| Coolingwheel (medium max. 150°C)            | ( incl. coating RAL9006 ) |
| Flexible connection inlet/outlet max. 150°C | zz Ø710 / pz Ø900         |
| ATEX version                                | Zone 1 / 2 / 21 / 22      |
| ATEX motor                                  | Ex nA / Exe / Ex de       |
| Coating suitable for outdoor application    | RAL 5010 / RAL ....       |
| Stainless steel version                     | 304 / 316 / ...           |
| Acoustic enclosure                          |                           |



$\varnothing 13 (16x)$



|   |            |                    |                 |
|---|------------|--------------------|-----------------|
| DESCRIPTION-BESCHRIJVING  | SCHAAL     | GEMAAKT - PREPARED | FORMAAT         |
| <b>EU901 - RD0</b>  | 1:22       | Overmeer E.        | A4              |
|   | DATUM      |                    |                 |
|   | 19/10/2023 |                    |                 |
| N.TEKENING - N.DRAWING  |            |                    | REV.            |
|  |            |                    | <b>V1EU 901</b> |
|   |            |                    | 00              |