

Centrifugal fan model EU, Es.4

Single inlet fan, direct driven with an IEC-standard motor in form B3 which is mounted on a motorbase. The overhang impeller is mounted on the motor shaft and has backwardly curved blades. The blades are welded between the back plate disc and the aerodynamically formed front plate. The robust industrial fan is totally made of steel and painted in the agate grey color RAL 7037. The fan is suitable for the transportation of clean and slightly dusty air.

General data:

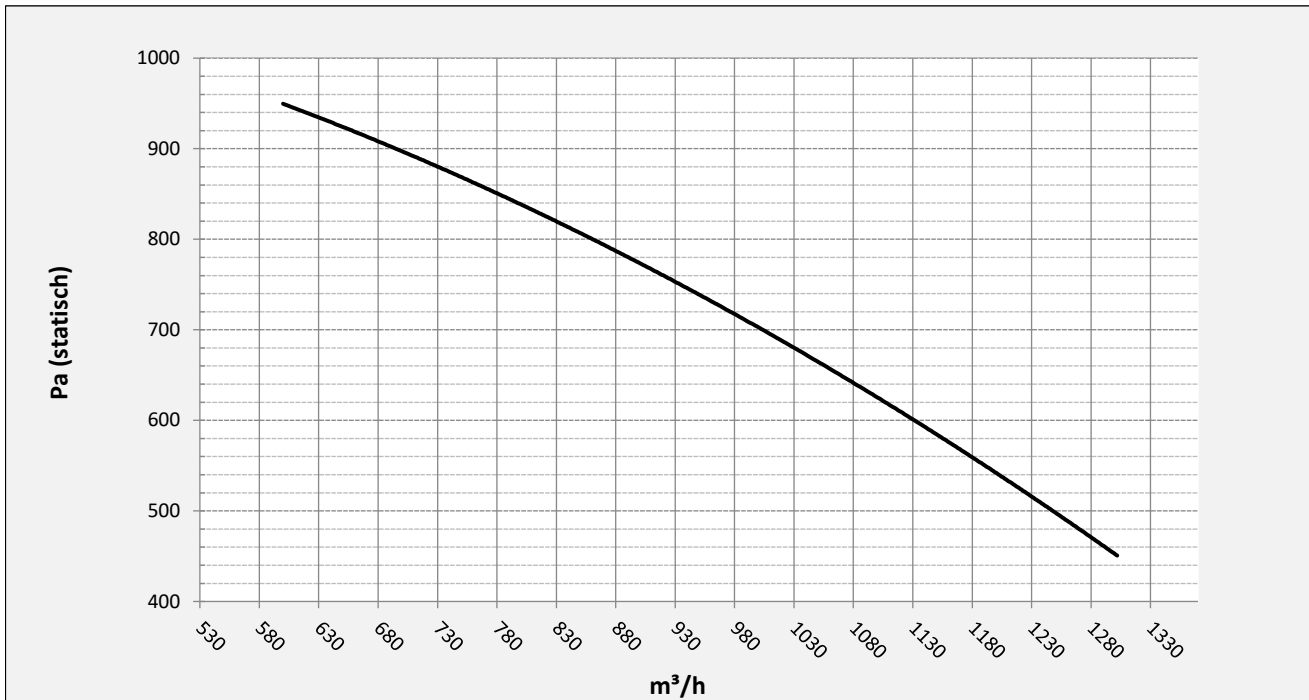
Drive	direct
Motor position	horizontal
Material casing/base	Steel
Material impeller/hub	Steel
Motorcoating/protection	RAL 7037
Operating temperature (max.)	15 (80) °C
Medium density (altitude 0 m)	1,226 kg/m ³
Impeller speed	2820 rpm
Weight	26 kg
Sound pressure level ±3	65 dB(A)

(at 1,5 m near the fan with inlet and outlet ducted, in free field)

Electric motor:

Power	0,37 kW	71 IEC
Motor speed	2.820 rpm	
Electric supply	3x400V50Hz	V/Hz
Full load current	0,851 A	
Enclosure	55	IP
Shape	B3T	
Efficiency class	IE3	

Curve EU 251 @ 2820rpm @ 15°C @ 0m



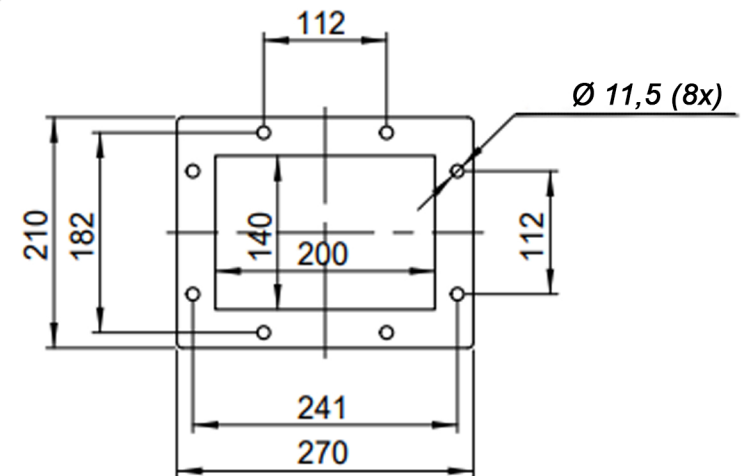
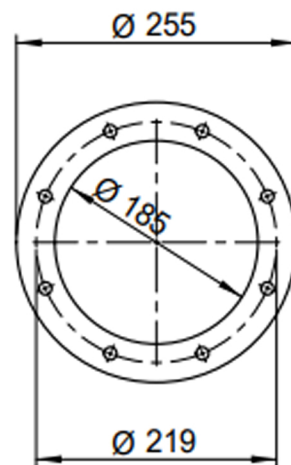
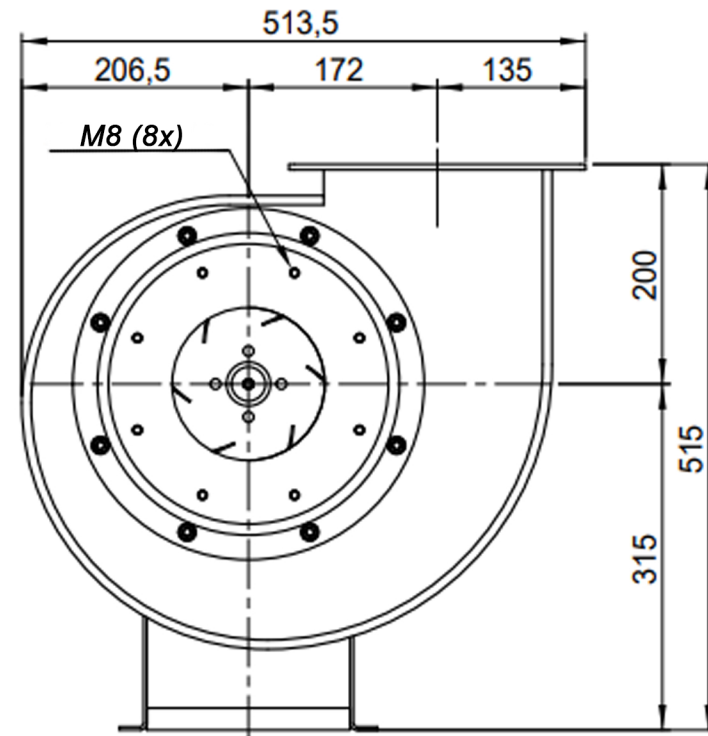
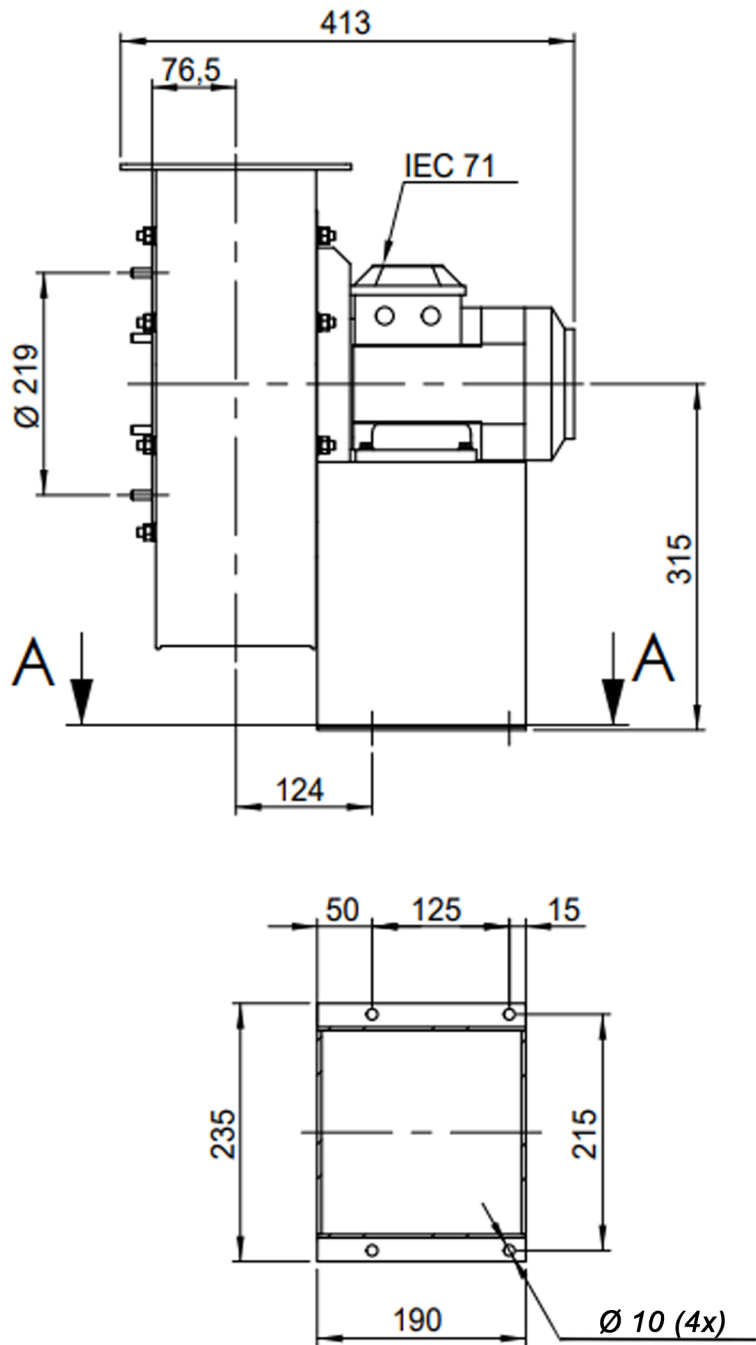
Possible discharge positions:




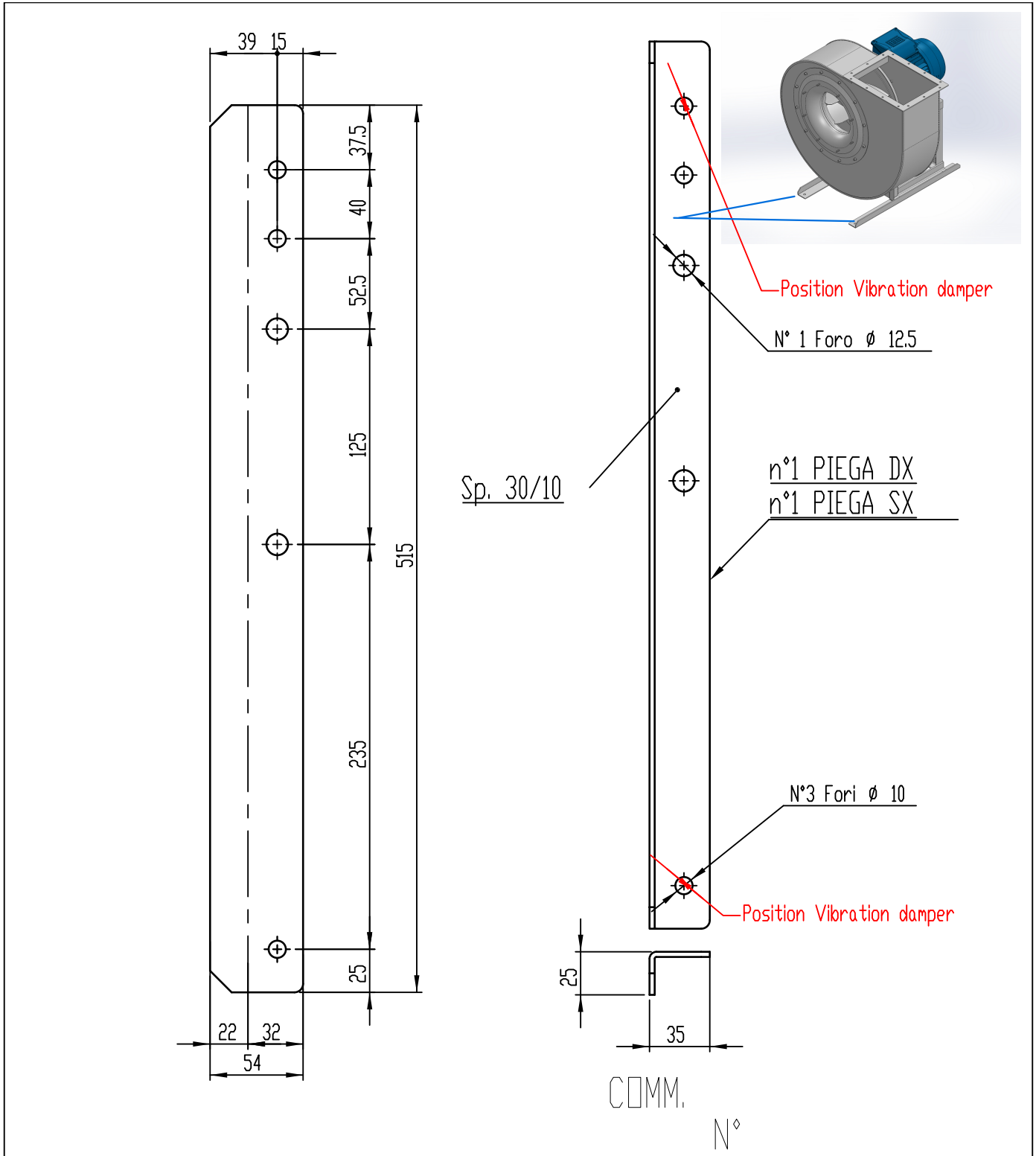
* (Pos 180 and 225 extra price)

Possible accessories

Mounting profiles for load distribution	STF 047502
Counterflange inlet/outlet	zz Ø180 / pz 200x140
Flexible connection inlet/outlet max. 80°C	zz Ø200 / pz Ø250
Anti-vibration mountings	4x 30x20/B/40° ShA
Inspectiondoor	
Drain connection	
Shaft seal without asbestos	
Coolingwheel (medium max. 150°C)	(incl. coating RAL9006)
Flexible connection inlet/outlet max. 150°C	zz Ø200 / pz Ø250
ATEX version	Zone 1 / 2 / 21 / 22
ATEX motor	Ex nA / Exe / Ex de
Coating suitable for outdoor application	RAL 5010 / RAL
Stainless steel version	304 / 316 / ...
Acoustic enclosure	



DESCRIPTION-BESCHRIJVING	SCHAAL	GEMAAKT - PREPARED	FORMAAT
EU251 - RD0	1:7	Overmeer E.	A4
	DATUM		
17/10/2023			
N.TEKENING - N.DRAWING			REV.
			V1EU 251
			00



01	04/12/2019	Adattamento a sedie nuove		Galiotto M.	De Santi G.
00	11/11/2015	PRIMA EMISSIONE		Galiotto M.	De Santi G.
REV	DATA - DATE	DESCRIZIONE - DESCRIPTION		DISEGNATO PREPARED	CONTROLLATO CHECKED
DESCRIZIONE - DESCRIPTION		MATERIALE - MATERIAL	NR.FILE	PESO - WEIGHT	
		Fe 360	EUR00067975	Kg 0.64	
DESCRIZIONE - DESCRIPTION			SCALA	DISEGNATO - PREPARED	FORMATO
Staffe per Puffer L=515 IEC 71-80			1:3	Galiotto M.	A4
			DATA	SOSTITUISCE IL - REPLACES THE N°	
			04/12/2019	SOSTITUITO DAL - REPLACES BY N°	
			N.DISEGNO - N.DRAWING		REV.
			STF047502		01