

#### Centrifugal fan model EU, Es.4

Single inlet fan, direct driven with an IEC-standard motor in form B3 which is mounted on a motorbase. The overhang impeller is mounted on the motor shaft and has backwardly curved blades. De blades are welded between the back plate disc and the aerodynamically formed front plate. The robust industrial fan is totally made of steel and painted in the agate grey color RAL 7037. The fan is suitable for the transportation of clean and slightly dusty air.

#### General data:

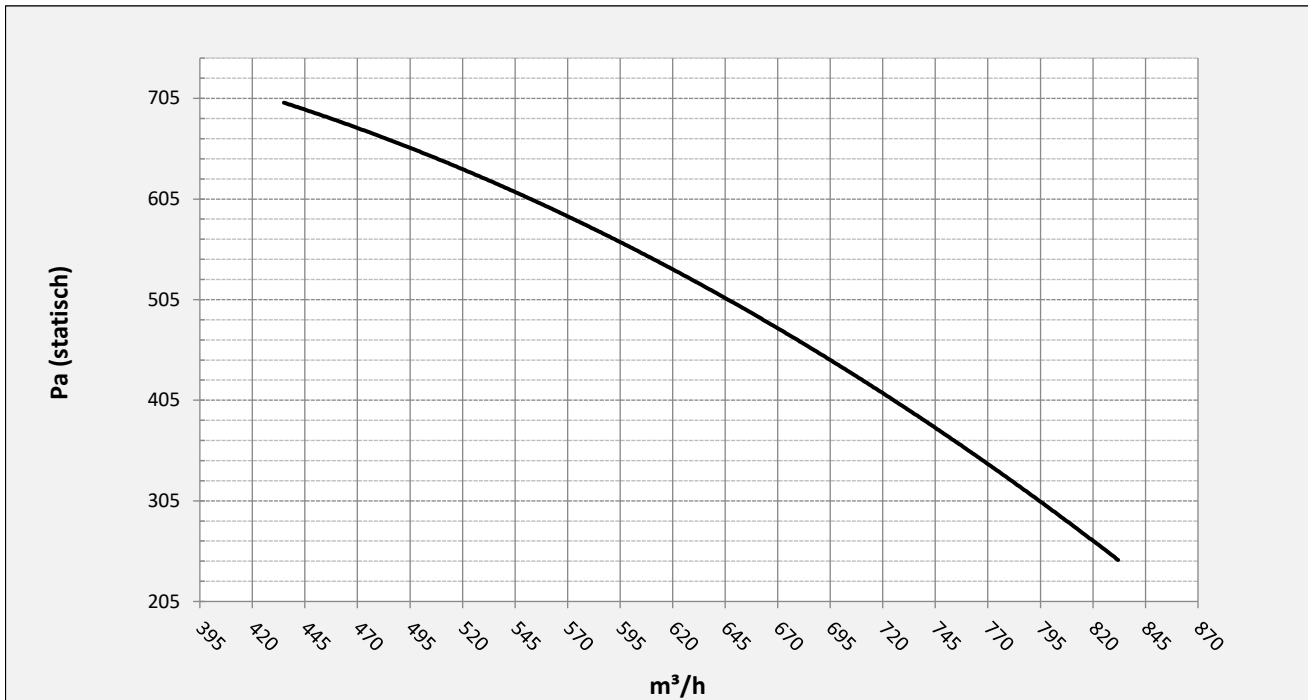
Drive	direct
Motor position	horizontal
Material casing/base	Steel
Material impeller/hub	Steel
Motorcoating/protection	RAL 7037
Operating temperature (max.)	15 (80) °C
Medium density (altitude 0 m)	1,226 kg/m <sup>3</sup>
Impeller speed	2815 rpm
Weight	20 kg
Sound pressure level ±3	62 dB(A)

*(at 1,5 m near the fan with inlet and outlet ducted, in free field)*

#### Electric motor:

	63	IEC
Power	0,18	kW
Motor speed	2.815	rpm
Electric supply	3x400V50Hz	V/Hz
Full load current	0,533	A
Enclosure	55	IP
Shape	B3T	
Efficiency class	IE3	

Curve EU 221 @ 2815rpm @ 15°C @ 0m



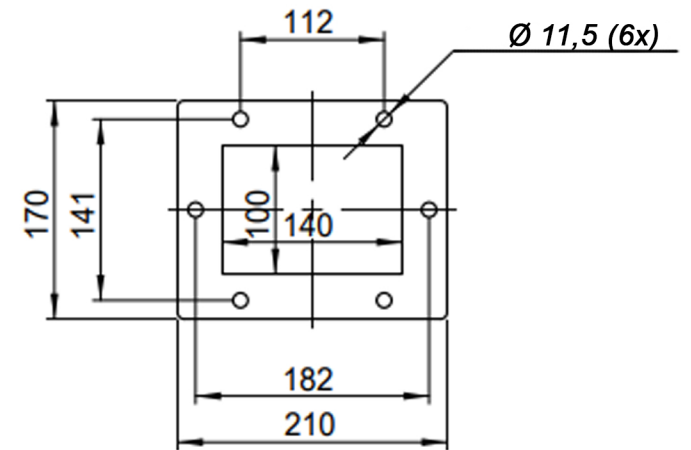
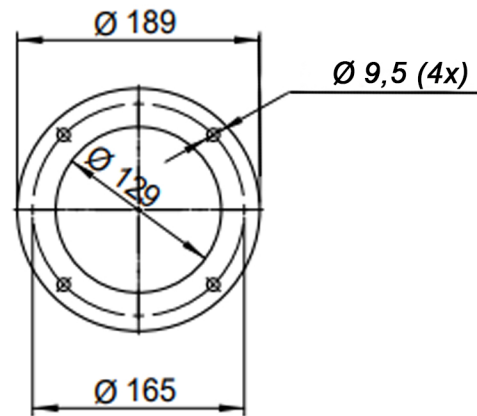
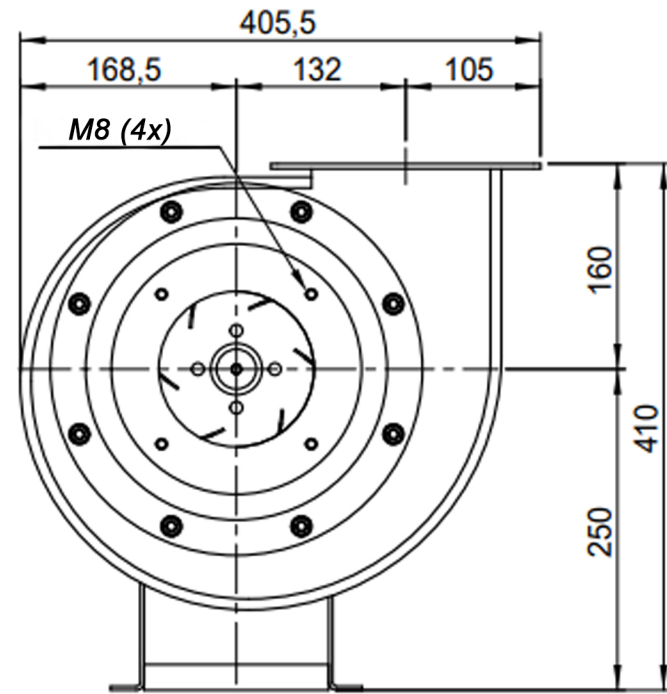
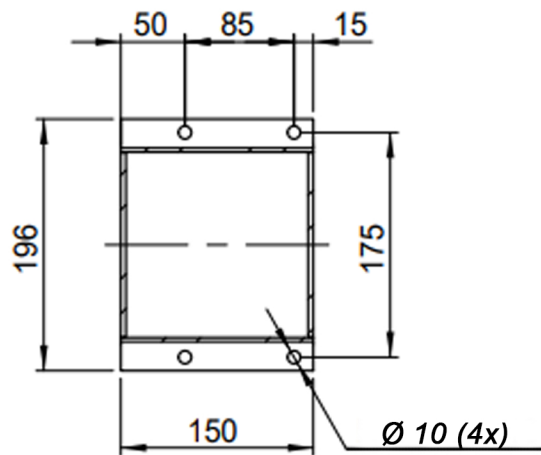
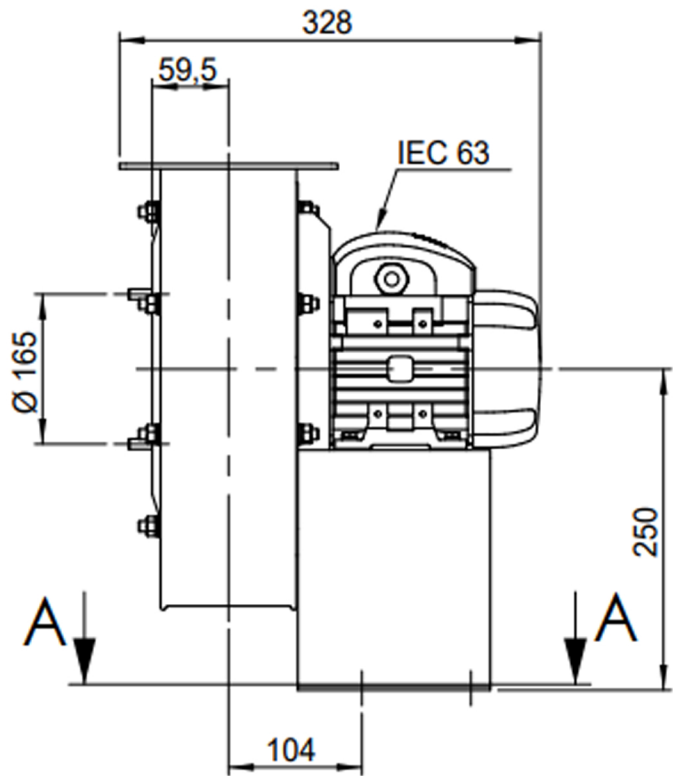
Possible discharge positions:




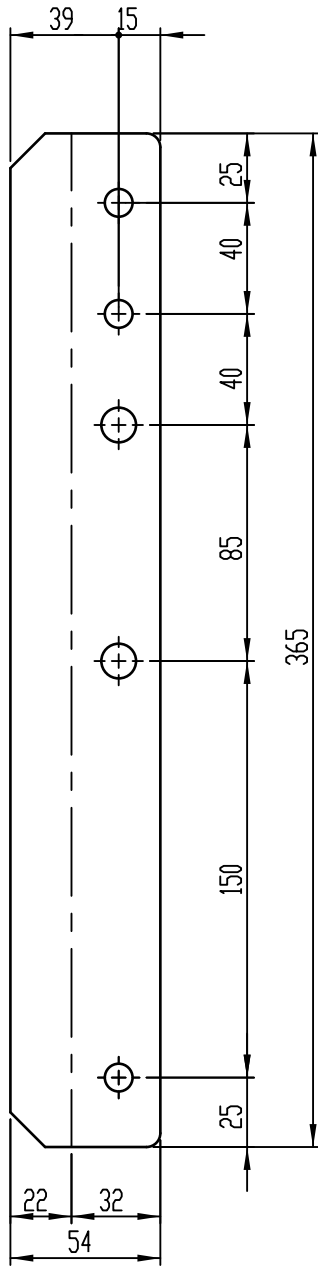
\* (Pos 180 and 225 extra price)

Possible accessories

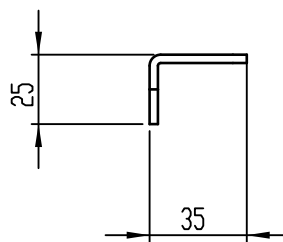
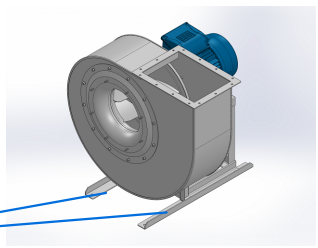
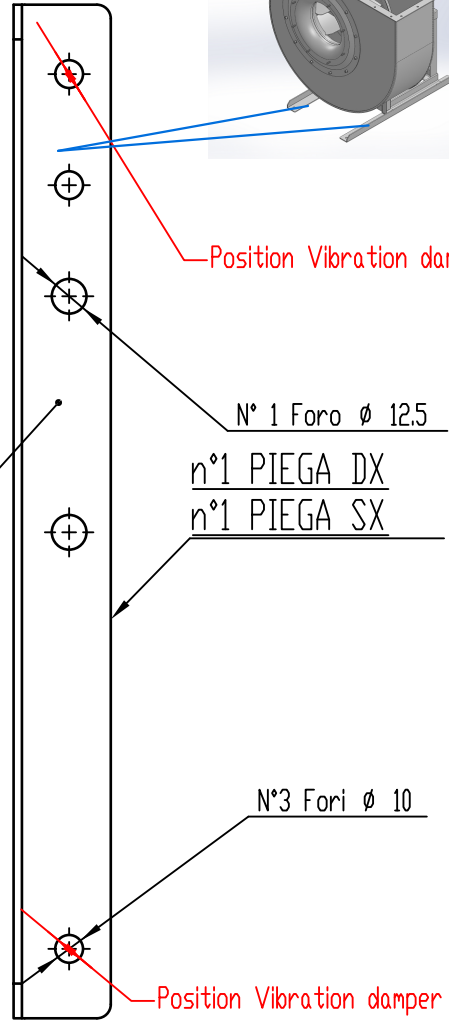
Mounting profiles for load distribution	STF 032501
Counterflange inlet/outlet	zz Ø125 / pz 140x100
Flexible connection inlet/outlet max. 80°C	zz Ø160 / pz Ø200
Anti-vibration mountings	4x 30x20/B/40° ShA
Inspection door	
Drain connection	
Shaft seal without asbestos	
Cooling wheel (medium max. 150°C)	( incl. coating RAL9006 )
Flexible connection inlet/outlet max. 150°C	zz Ø160 / pz Ø200
ATEX version	Zone 1 / 2 / 21 / 22
ATEX motor	Ex nA / Exe / Ex de
Coating suitable for outdoor application	RAL 5010 / RAL ....
Stainless steel version	304 / 316 / ...
Acoustic enclosure	



DESCRIPTION-BESCHRIJVING	SCHAAL	GEMAAKT - PREPARED	FORMAAT
	<b>1:6</b>	Overmeer E.	A4
<b>EU221 - RD0</b>	DATUM		
	17/10/2023		
N. TEKENING - N. DRAWING		REV.	
		<b>V1EU 221</b>	
		00	



Sp. 30/10



COMM.

N°

01	04/12/2019	Adattamento a sedie nuove	Galiotto M.	De Santi G.
00	12/11/2015	PRIMA EMISSIONE	Galiotto M.	De Santi G.
REV	DATA - DATE	DESCRIZIONE - DESCRIPTION	DISEGNATO PREPARED	CONTROLLATO CHECKED
DESCRIZIONE - DESCRIPTION		MATERIALE - MATERIAL	NR.FILE	PESO - WEIGHT
Staffe per Puffer L=365 IEC 63		Fe 360	EUR00067971	Kg 0.45
		SCALA 1:2.5	DISEGNATO - PREPARED	FORMATO
		DATA 04/12/2019	Galiotto M.	A4
		SOSTITUISCE IL - REPLACES THE N° SOSTITUITO DAL - REPLACES BY N°		
N.DISEGNO - N.DRAWING			REV.	
STF032501			01	

