

TDA DV 450-500 Adapter

Framework f. mounting of accessories, for air handling units

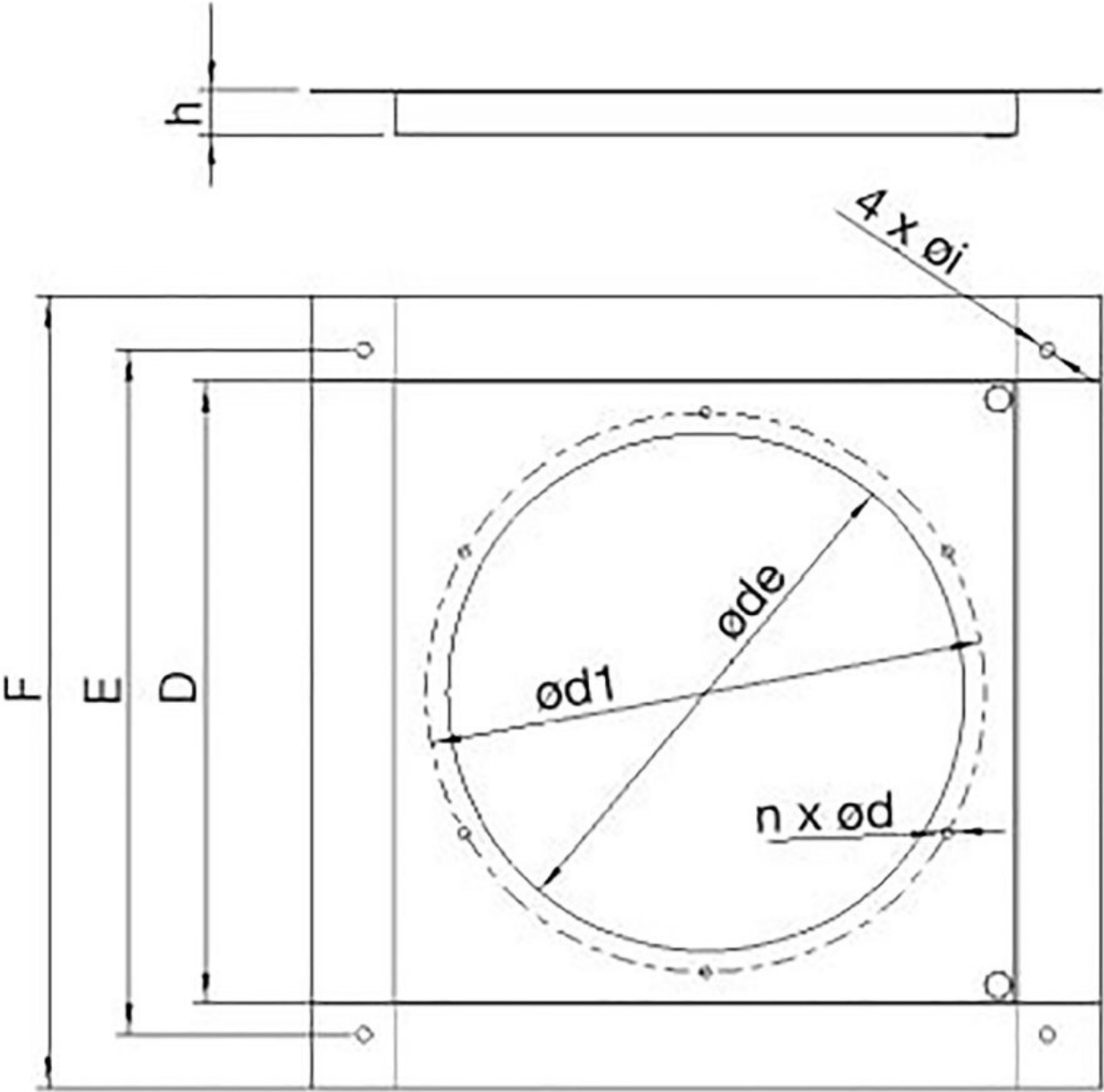
Adapter framework for mounting of accessories.
Adapter framework TDA for mounting into roof socket.
The adapter framework consists of galvanized steel.



Technical parameters

Dimensions and weights	
Weight	2.5 kg

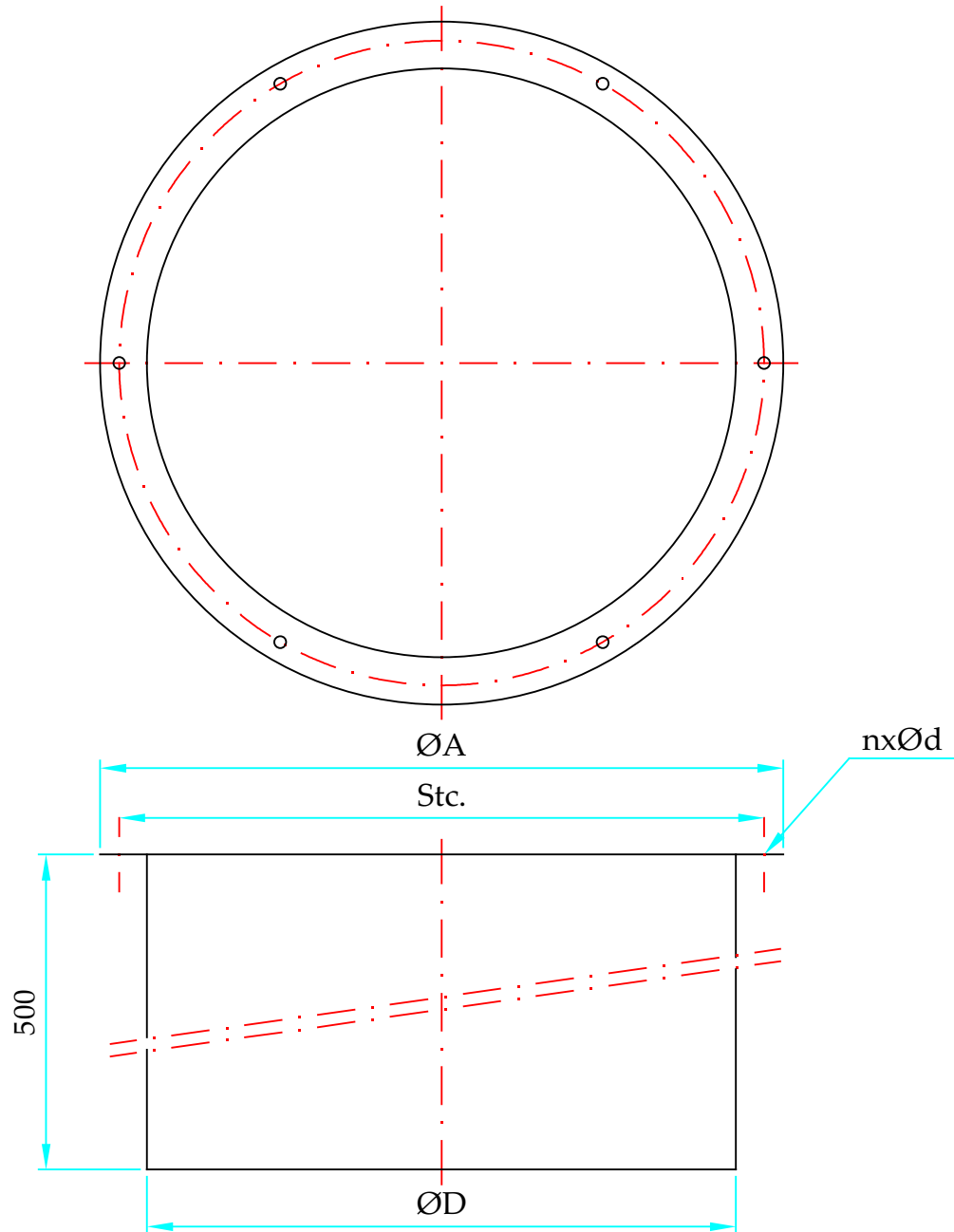
Dimension



	D	E	F	h	\varnothing_i	$n \times \varnothing_d$	\varnothing_{de}	\varnothing_{d1}
TDA DV 450/500	486	535	619	35	12	6x9	405	438

Dakdoorvoerkoker

DDR, Rond
Verzinkt plaatstaal



type	ØA	Stc.	nxØd	ØD
190/225	Ø235	Ø213	6xØ7	Ø180
310	Ø306	Ø286	6xØ7	Ø250
355/400	Ø464	Ø438	6xØ9	Ø400
450/500	Ø464	Ø438	6xØ9	Ø400
560/630	Ø639	Ø605	8xØ11	Ø560