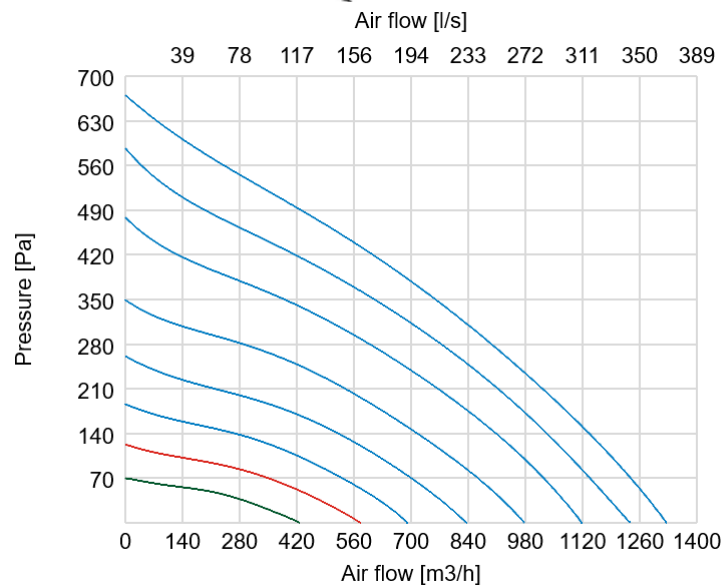


## Technical parameters

Unit name: VKA 315 EKO  
Art.no:

Date: 2020-06-11  
Order number



### Technical parameters

Max air flow	m <sup>3</sup> /h	1327
Max pressure	Pa	670
Voltage/Frequency	VAC/Hz	230/50
Power	W	166
Enclosure class		54
RPM		2550
Current	A	1.56
Phases		1
Weight [kg]	kg	4.6

### Climate data

Air flow	Air flow	1000m <sup>3</sup> /h
Pressure drop duct system	External pressure (Supply)	600Pa

## Technical parameters

---

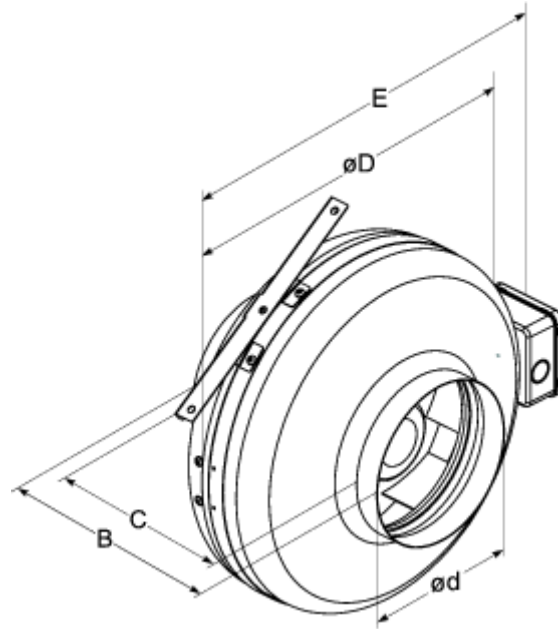
Unit name: VKA 315 EKO  
Art.no:

Date: 2020-06-11  
Order number

---

### Dimensions

---



B (mm)  
250

C (mm)  
180±2

D (mm)  
400

d (mm)  
315

E (mm)  
445