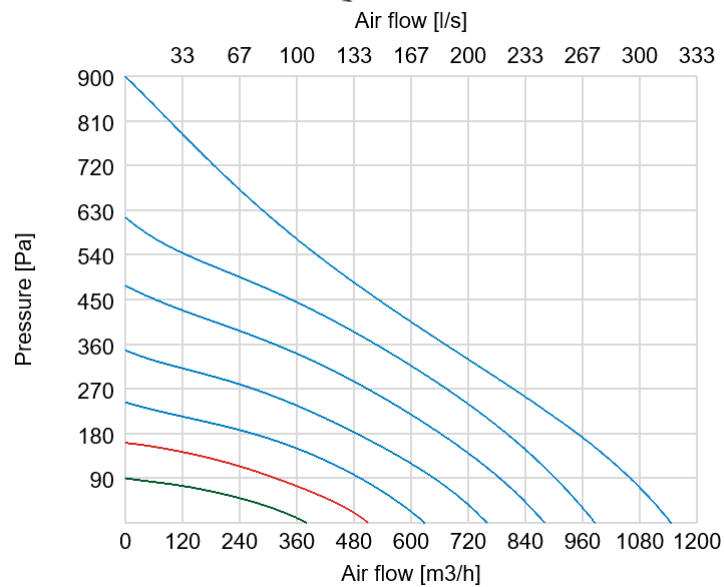


## Technical parameters

Unit name: VKA 250 EKO  
Art.no:

Date: 2020-06-11  
Order number



### Technical parameters

|                   |                   |        |
|-------------------|-------------------|--------|
| Max air flow      | m <sup>3</sup> /h | 1148   |
| Max pressure      | Pa                | 899    |
| Voltage/Frequency | VAC/Hz            | 230/50 |
| Power             | W                 | 170    |
| Enclosure class   |                   | 54     |
| RPM               |                   | 3210   |
| Current           | A                 | 1.32   |
| Phases            |                   | 1      |
| Weight [kg]       | kg                | 3.6    |

### Climate data

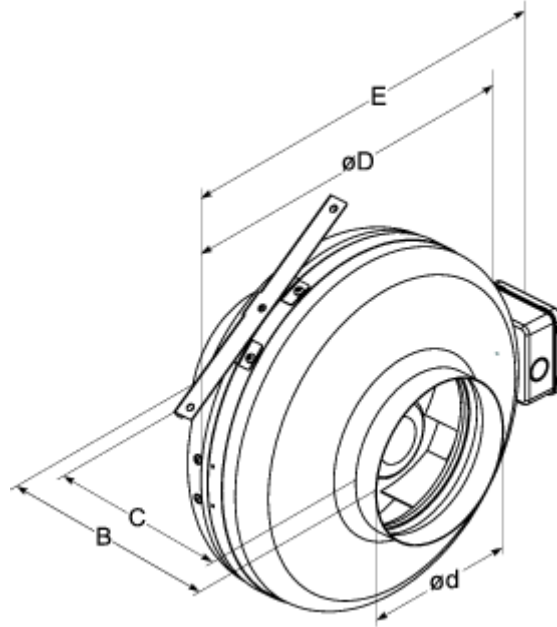
|                           |                            |                       |
|---------------------------|----------------------------|-----------------------|
| Air flow                  | Air flow                   | 1000m <sup>3</sup> /h |
| Pressure drop duct system | External pressure (Supply) | 600Pa                 |

## Technical parameters

Unit name: VKA 250 EKO  
Art.no:

Date: 2020-06-11  
Order number

### Dimensions



B (mm)  
245

C (mm)  
 $185 \pm 2$

D (mm)  
345

d (mm)  
250

E (mm)  
390