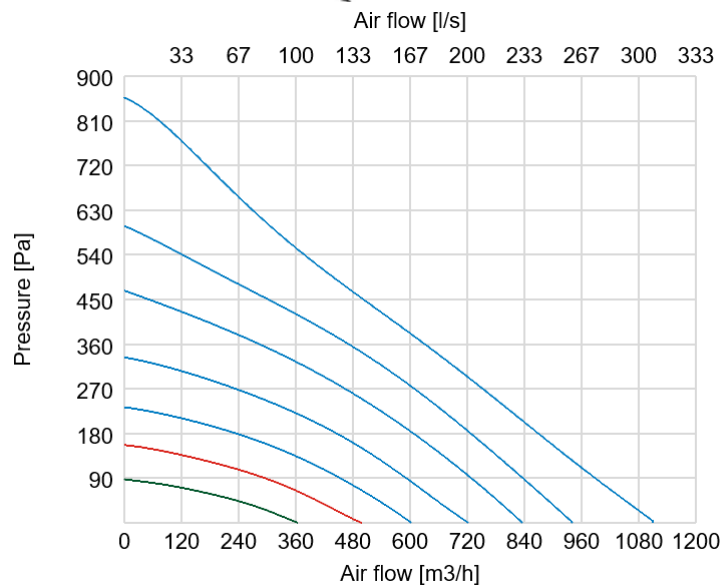


Technical parameters

Unit name: VKA 200 EKO
Art.no:

Date: 2020-06-11
Order number



Technical parameters

Max air flow	m ³ /h	1110
Max pressure	Pa	862
Voltage/Frequency	VAC/Hz	230/50
Power	W	170
Enclosure class		54
RPM		3210
Current	A	1.59
Phases		1
Weight [kg]	kg	3.7

Climate data

Air flow	Air flow	1000m ³ /h
Pressure drop duct system	External pressure (Supply)	600Pa

Technical parameters

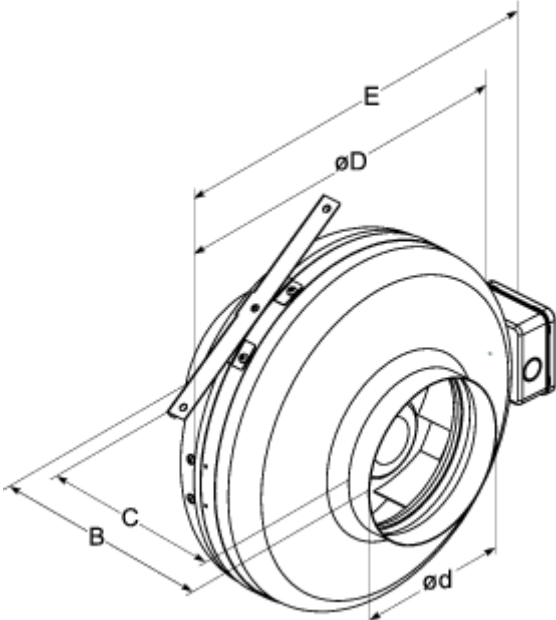
Unit name: VKA 200 EKO

Date: 2020-06-11

Art.no:

Order number

Dimensions



B (mm)	C (mm)	D (mm)	d (mm)	E (mm)
240	190±2	345	200	390