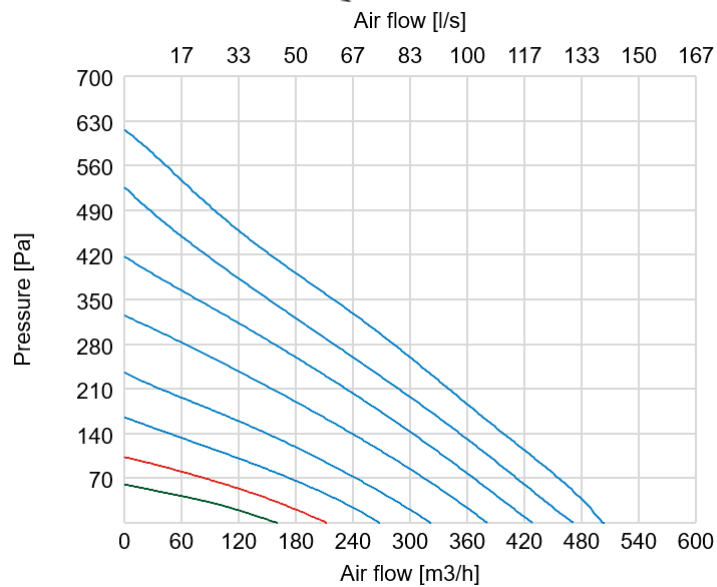


## Technical parameters

Unit name: VKA 160 EKO  
Art.no:

Date: 2020-06-11  
Order number



### Technical parameters

Max air flow	m <sup>3</sup> /h	504
Max pressure	Pa	617
Voltage/Frequency	VAC/Hz	230/50
Power	W	83
Enclosure class		54
RPM		3200
Current	A	0.88
Phases		1
Weight [kg]	kg	2.2

### Climate data

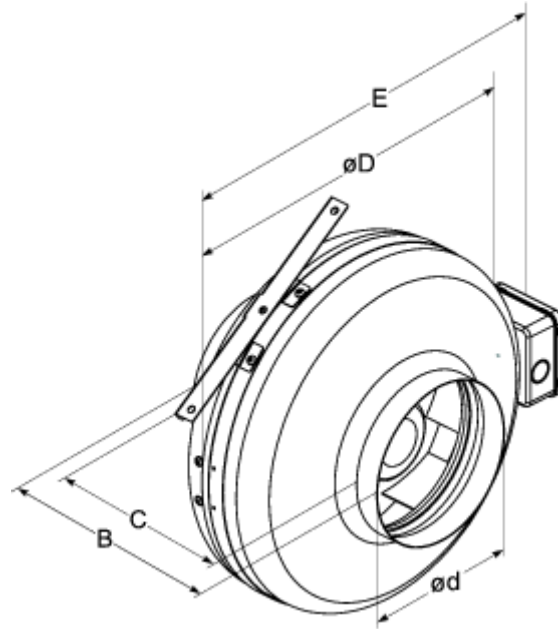
Air flow	Air flow	1000m <sup>3</sup> /h
Pressure drop duct system	External pressure (Supply)	600Pa

## Technical parameters

Unit name: VKA 160 EKO  
Art.no:

Date: 2020-06-11  
Order number

### Dimensions



B (mm)  
200

C (mm)  
 $160 \pm 2$

D (mm)  
245

d (mm)  
160

E (mm)  
290