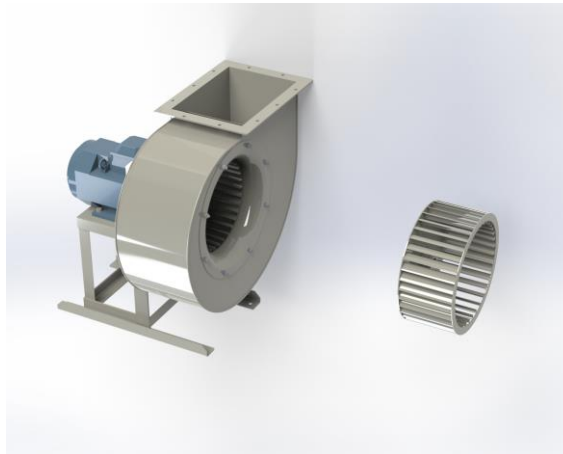


BP 451C



Centrifugal fan model BP, Es.4

Single inlet fan, direct driven with an IEC-standard motor in form B3 which is mounted on a motorbase. The overhang impeller is mounted on the motor shaft and has bent blades. The robust industrial fan is totally made of steel and painted in the agate grey color RAL 7037,. The fan is suitable for sucking in clean or slightly dusty air.

General data:

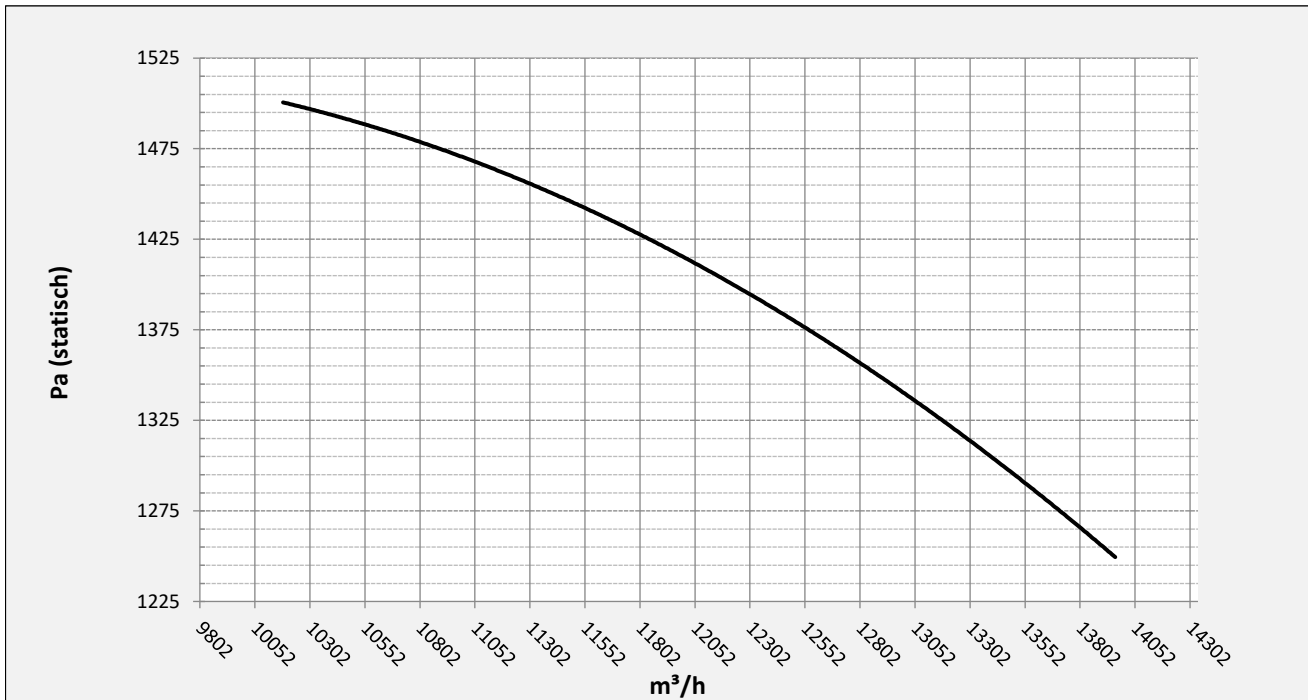
Drive	direct
Motor position	horizontal
Material casing/base	Steel
Material impeller/hub	Steel
Motorcoating/protection	RAL 7037
Operating temperature (max.)	15 (80) °C
Medium density (altitude 0 m)	1,226 kg/m ³
Impeller speed	1470 rpm
Weight	203 kg
Sound pressure level ±3	82 dB(A)

(at 1,5 m near the fan with inlet and outlet ducted, in free field)

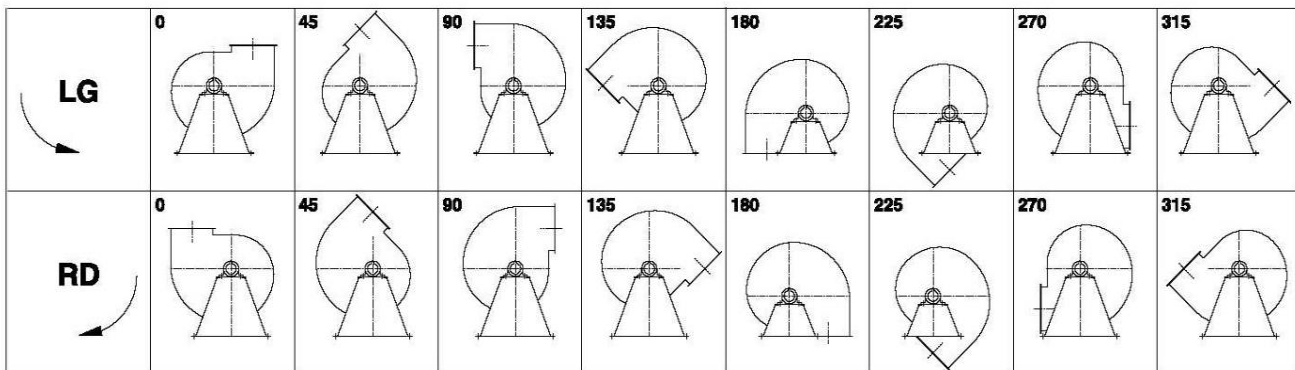
Electric motor:

	160M	IEC
Power	11	kW
Motor speed	1.470	rpm
Electric supply	3x400V50Hz	V/Hz
Full load current	20,9	A
Enclosure	55	IP
Shape	B3T	
Efficiency class	IE3	

Curve BP 451C @ 1470rpm @ 15°C @ 0m



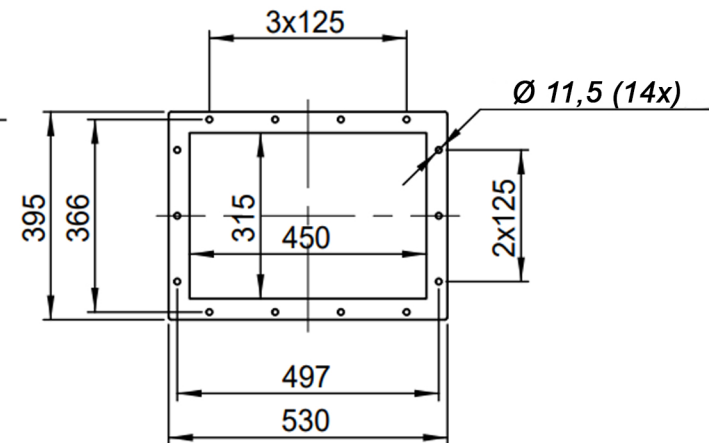
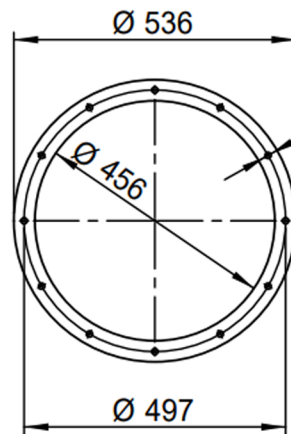
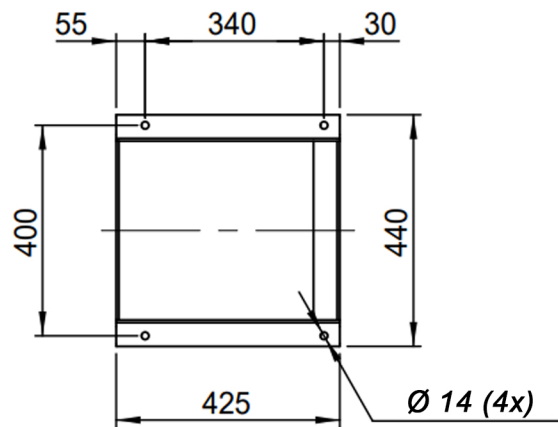
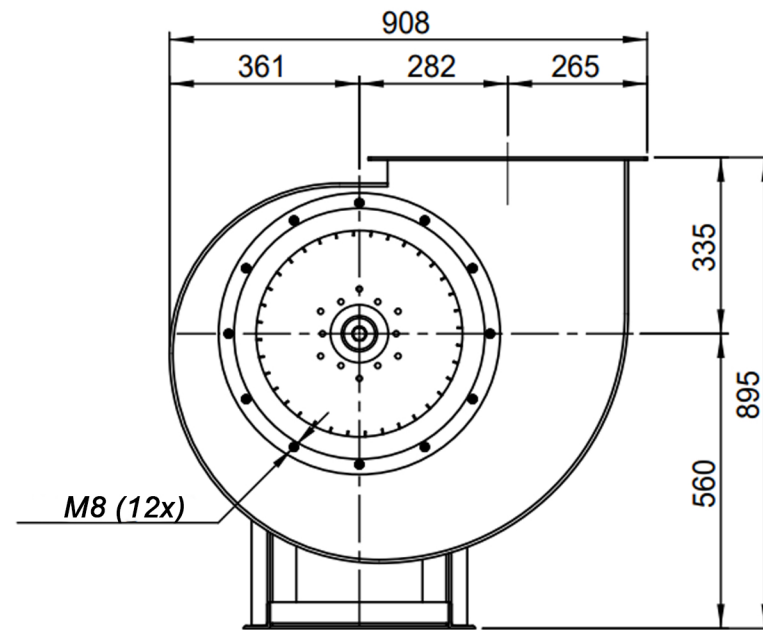
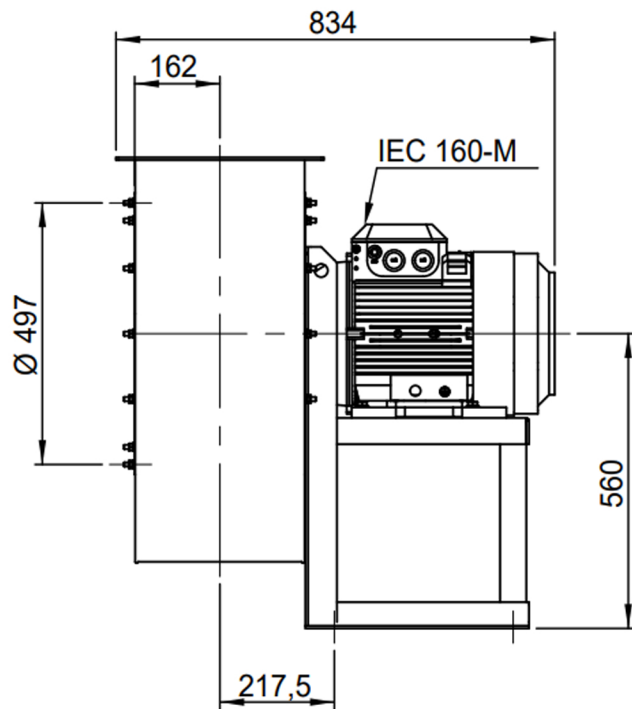
Possible discharge positions:




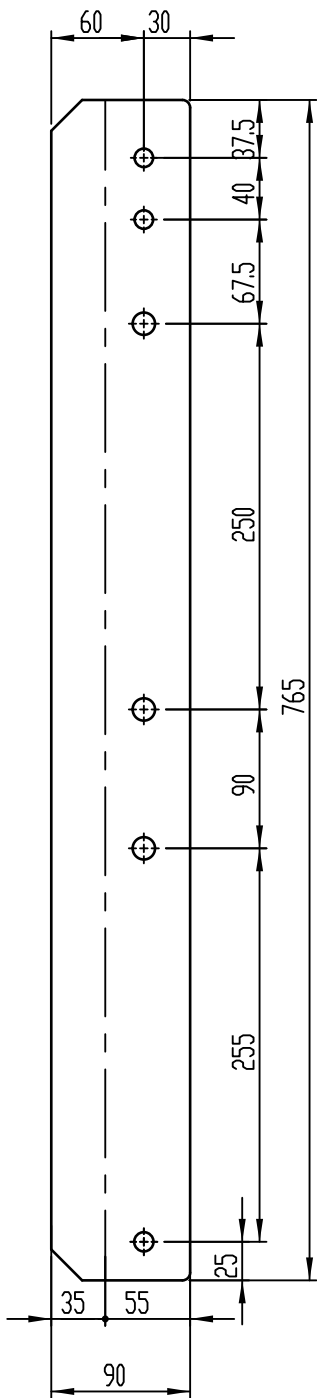
* (Pos 180 and 225 extra price)

Possible accessories

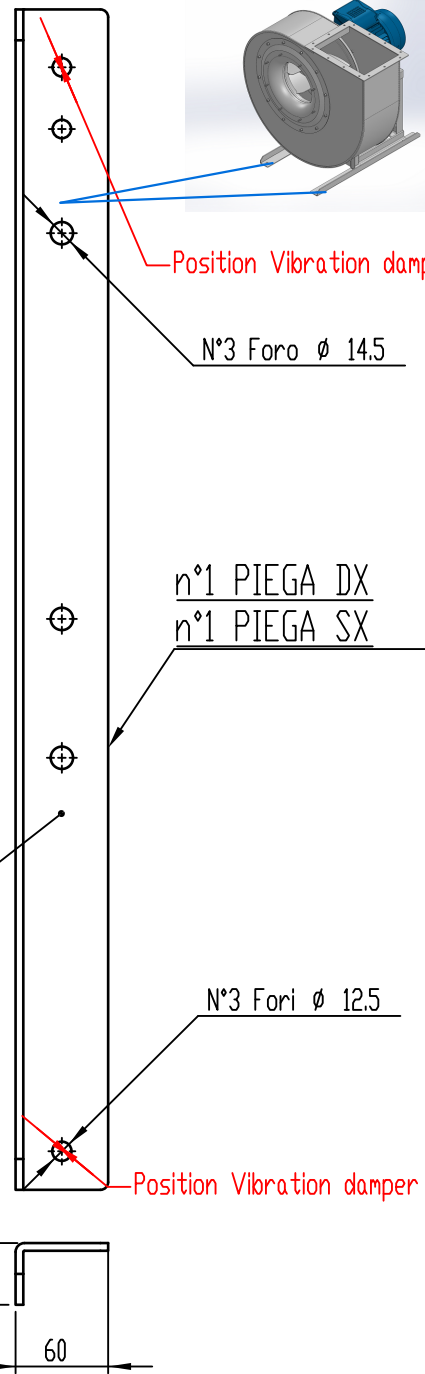
Mounting profiles for load distribution	STF072501
Counterflange inlet/outlet	zz Ø450 / pz 450x315
Flexible connection inlet/outlet max. 80°C	zz Ø500 / pz Ø560
Anti-vibration mountings	4x 40X30/B/40° ShA
Inspectiondoor	
Drain connection	
Shaft seal without asbestos	
Coolingwheel (medium max. 150°C)	(incl. coating RAL9006)
Flexible connection inlet/outlet max. 150°C	zz Ø500 / pz Ø560
ATEX version	Zone 1 / 2 / 21 / 22
ATEX motor	Ex nA / Exe / Ex de
Coating suitable for outdoor application	RAL 5010 / RAL
Stainless steel version	304 / 316 / ...
Acoustic enclosure	



DESCRIPTION-BESCHRIJVING	SCHAAL	GEMAAKT - PREPARED	FORMAAT
	1:14	Overmeer E.	A4
BP451/C - RD0	DATUM		
	06/12/2023		
	N.TEKENING - N.DRAWING		REV.
	V1BP451/C		00



Sp. 50/10



COMM.

N°

01	04/12/2019	Adattamento alle sedie nuove		Galiotto M.	De Santi G.
00	24/11/2015	PRIMA EMISSIONE		Galiotto M.	De Santi G.
REV	DATA - DATE	DESCRIZIONE - DESCRIPTION		DISEGNATO PREPARED	APPROVATO APPROVED
DESCRIZIONE - DESCRIPTION		MATERIALE - MATERIAL	NR.FILE	PESD - WEIGHT	
		Fe 360	EUR00068018	Kg 2,64	
DESCRIZIONE - DESCRIPTION			SCALA	DISEGNATO - PREPARED	FORMATO
Staffe per Puffer L=765			1:4,5	Galiotto M.	A4
IEC 132 - 160			DATA	SOSTITUISCE IL - REPLACES THE N°	
			04/12/2019	SOSTITUITO DAL - REPLACES BY N°	
			N.DISEGNO - N.DRAWING		REV.
			STF072501		01

