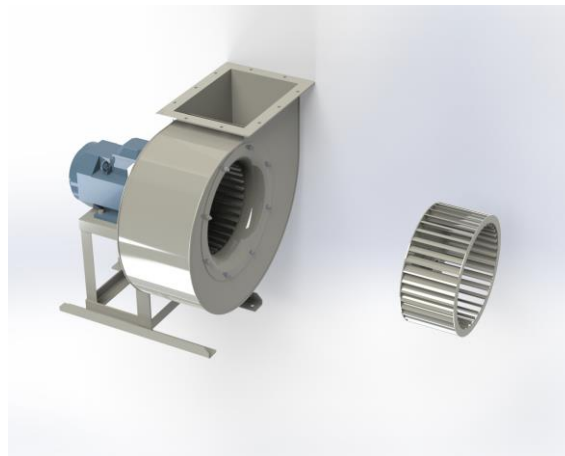


BP 401A



Centrifugal fan model BP, Es.4

Single inlet fan, direct driven with an IEC-standard motor in form B3 which is mounted on a motorbase. The overhang impeller is mounted on the motor shaft and has bent blades. The robust industrial fan is totally made of steel and painted in the agate grey color RAL 7037,. The fan is suitable for sucking in clean or slightly dusty air.

General data:

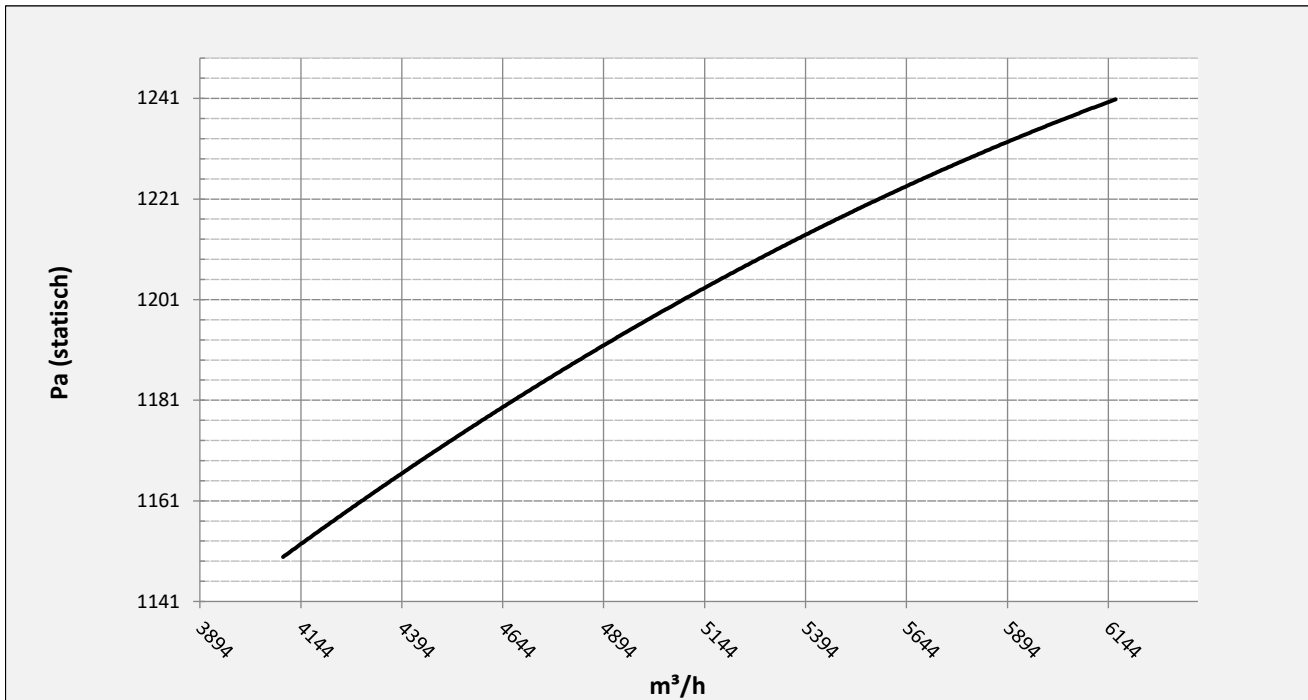
Drive	direct
Motor position	horizontal
Material casing/base	Steel
Material impeller/hub	Steel
Motorcoating/protection	RAL 7037
Operating temperature (max.)	15 (80) °C
Medium density (altitude 0 m)	1,226 kg/m ³
Impeller speed	1450 rpm
Weight	104 kg
Sound pressure level ±3	77 dB(A)

(at 1,5 m near the fan with inlet and outlet ducted, in free field)

Electric motor:

	112M	IEC
Power	4	kW
Motor speed	1.450	rpm
Electric supply	3x400V50Hz	V/Hz
Full load current	8,03	A
Enclosure	55	IP
Shape	B3T	
Efficiency class	IE3	

Curve BP 401A @ 1450rpm @ 15°C @ 0m



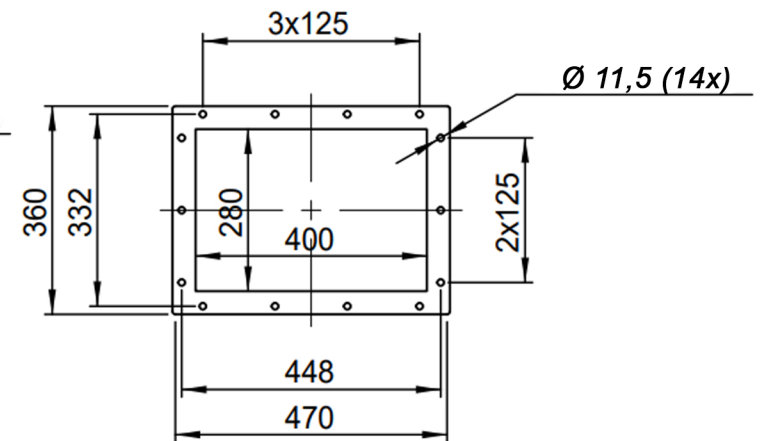
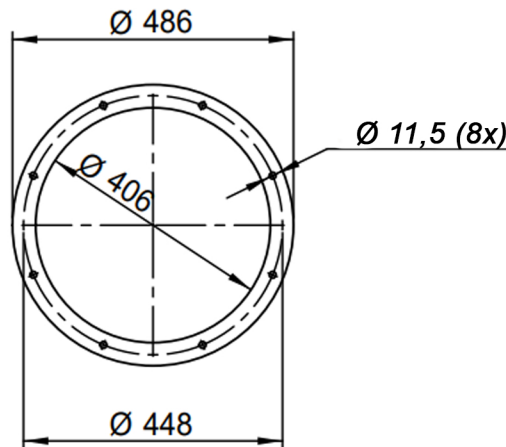
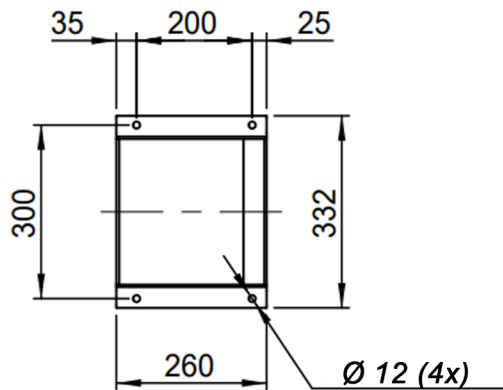
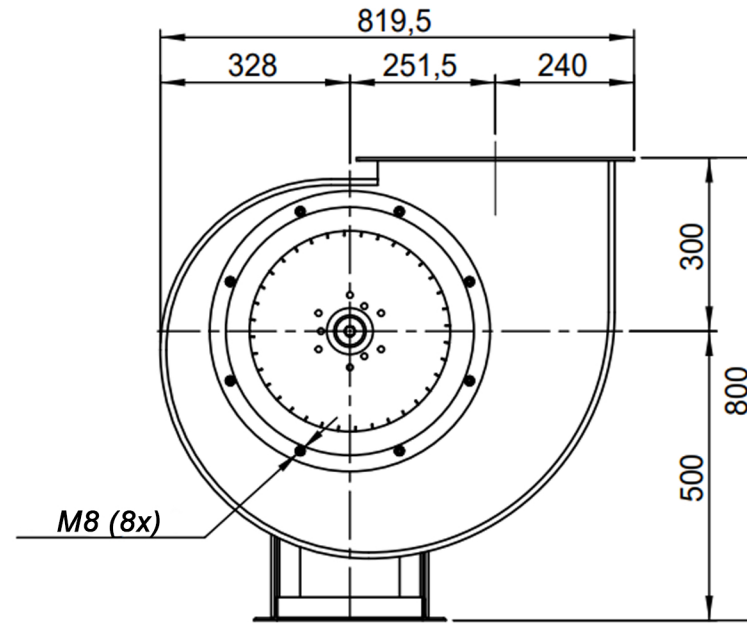
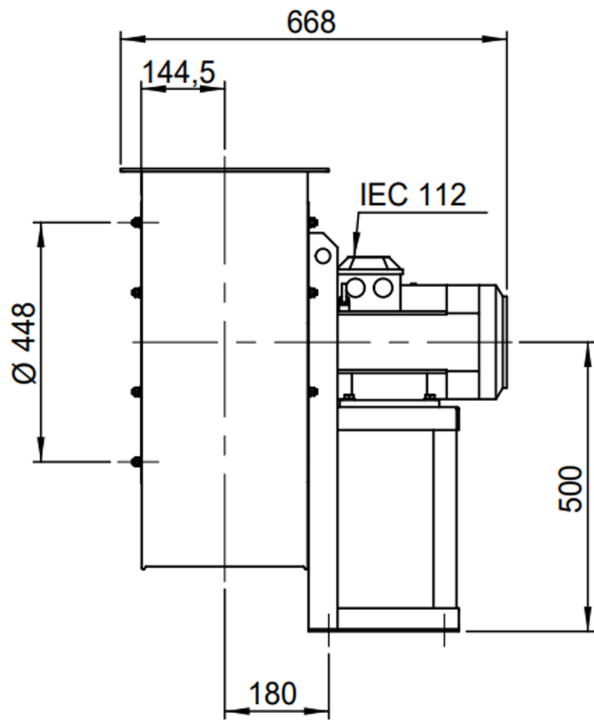
Possible discharge positions:




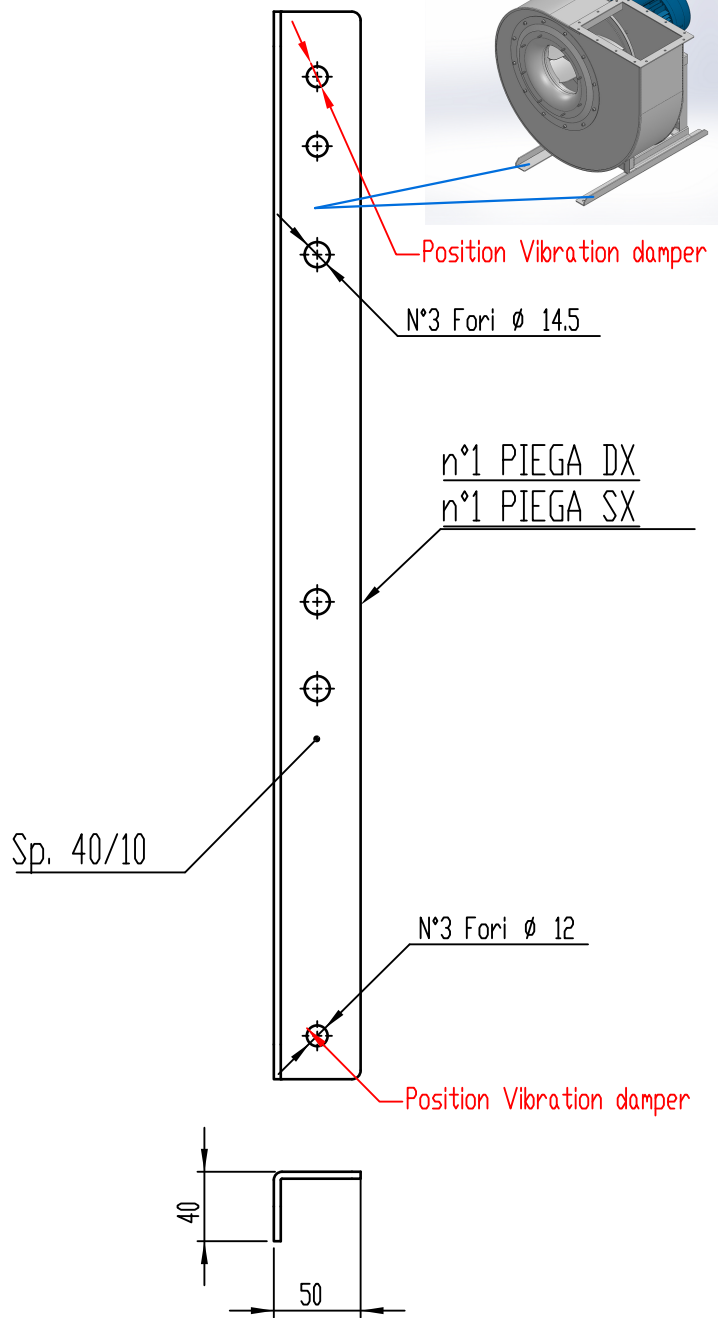
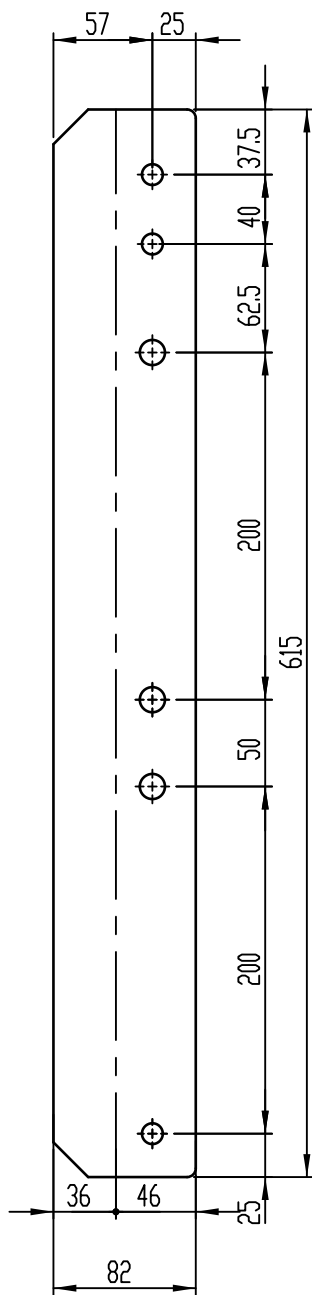
* (Pos 180 and 225 extra price)

Possible accessories

Mounting profiles for load distribution	STF057501
Counterflange inlet/outlet	zz Ø400 / pz 400x280
Flexible connection inlet/outlet max. 80°C	zz Ø450 / pz Ø500
Anti-vibration mountings	4x 30X20/B/40° ShA
Inspectiondoor	
Drain connection	
Shaft seal without asbestos	
Coolingwheel (medium max. 150°C)	(incl. coating RAL9006)
Flexible connection inlet/outlet max. 150°C	zz Ø450 / pz Ø500
ATEX version	Zone 1 / 2 / 21 / 22
ATEX motor	Ex nA / Exe / Ex de
Coating suitable for outdoor application	RAL 5010 / RAL
Stainless steel version	304 / 316 / ...
Acoustic enclosure	



DESCRIPTION-BESCHRIJVING	SCHAAL	GEMAAKT - PREPARED	FORMAAT
BP401/A - RD0	1:13	Overmeer E.	A4
	DATUM		
	06/12/2023		
N.TEKENING - N.DRAWING		REV.	
		V1BP401/A	00



COMM.

N°

01	04/12/2019	Adattamento alle sedie nuove	Galiotto M.	De Santi G.
00	23/11/2015	PRIMA EMISSIONE	Galiotto M.	De Santi G.
REV	DATA - DATE	DESCRIZIONE - DESCRIPTION	DISEGNATO PREPARED	CONTROLLATO CHECKED
DESCRIZIONE - DESCRIPTION		MATERIALE - MATERIAL	NR.FILE	PESO - WEIGHT
		Fe 360	EUR00067997	Kg 1.53
DESCRIZIONE - DESCRIPTION		SCALA 1:4	DISEGNATO - PREPARED	FORMATO
Staffe per Puffer L=615 IEC 100-112-132		DATA 04/12/2019	Galiotto M.	A4
		SOSTITUISCE IL - REPLACES THE N°		
		SOSTITUITO DAL - REPLACES BY N°		
N.DISEGNO - N.DRAWING			REV.	
STF057501			01	

