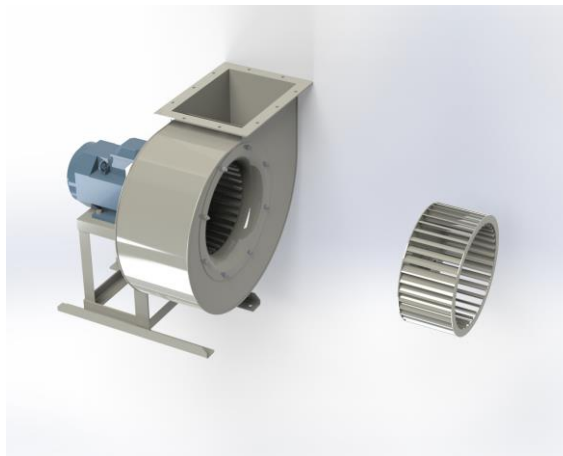


## BP 201C



### Centrifugal fan model BP, Es.4

Single inlet fan, direct driven with an IEC-standard motor in form B3 which is mounted on a motorbase. The overhang impeller is mounted on the motor shaft and has bent blades. The robust industrial fan is totally made of steel and painted in the agate grey color RAL 7037,. The fan is suitable for sucking in clean or slightly dusty air.

#### General data:

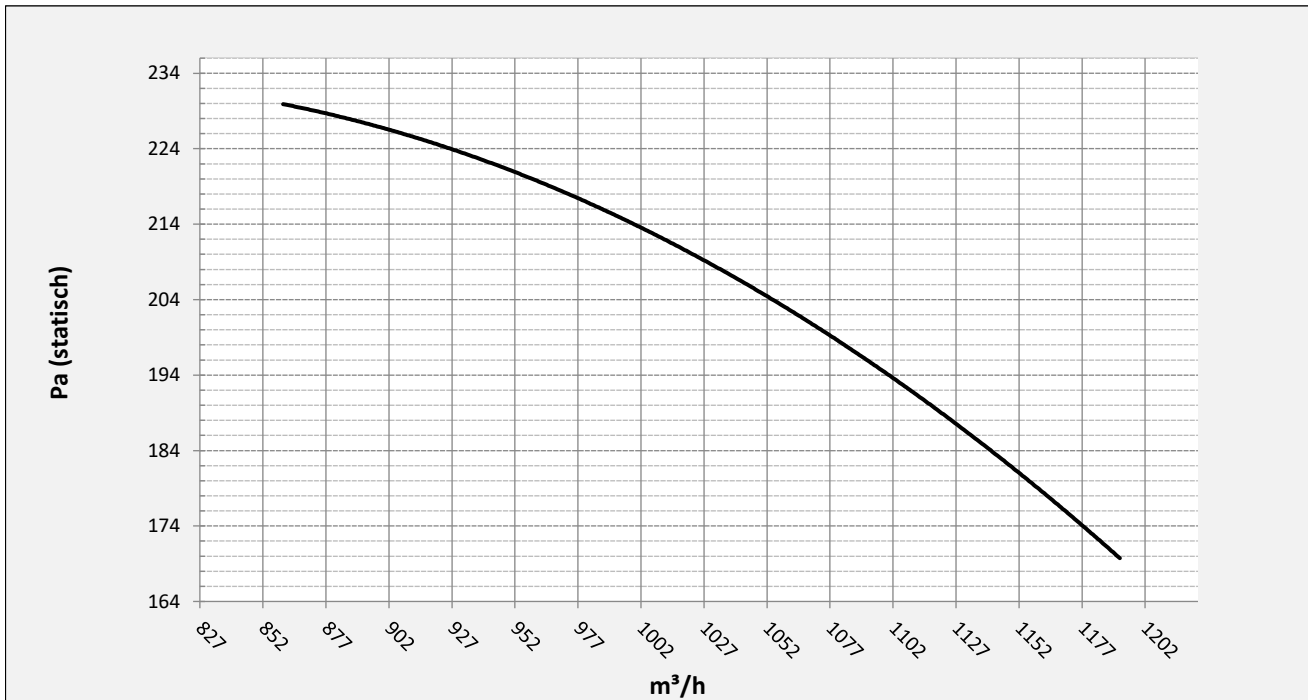
Drive	direct
Motor position	horizontal
Material casing/base	Steel
Material impeller/hub	Steel
Motorcoating/protection	RAL 7037
Operating temperature (max.)	15 (80) °C
Medium density (altitude 0 m)	1,226 kg/m <sup>3</sup>
Impeller speed	1390 rpm
Weight	24 kg
Sound pressure level ±3	58 dB(A)

*(at 1,5 m near the fan with inlet and outlet ducted, in free field)*

#### Electric motor:

	71A	IEC
Power	0,25	kW
Motor speed	1.390	rpm
Electric supply	3x400V50Hz	V/Hz
Full load current	0,682	A
Enclosure	55	IP
Shape	B3T	
Efficiency class	IE3	

Curve BP 201C @ 1390rpm @ 15°C @ 0m



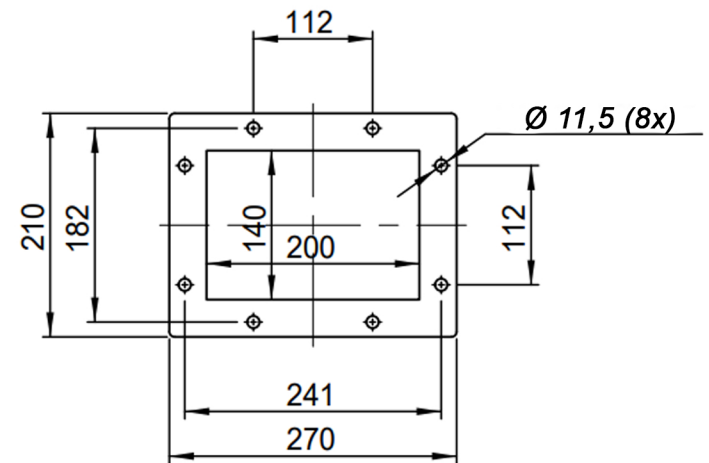
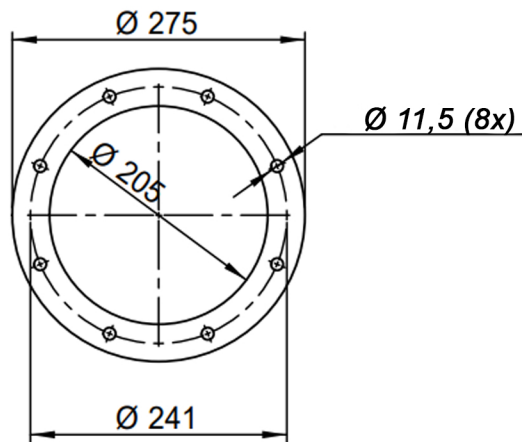
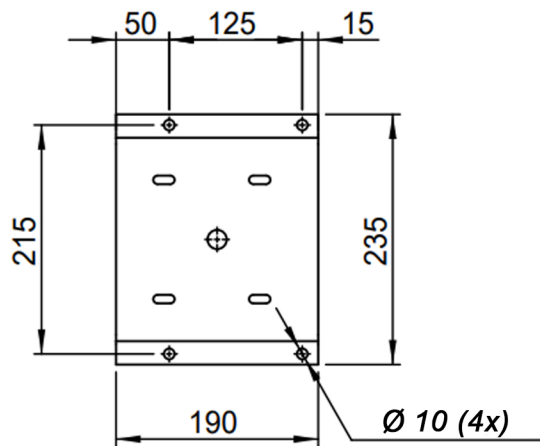
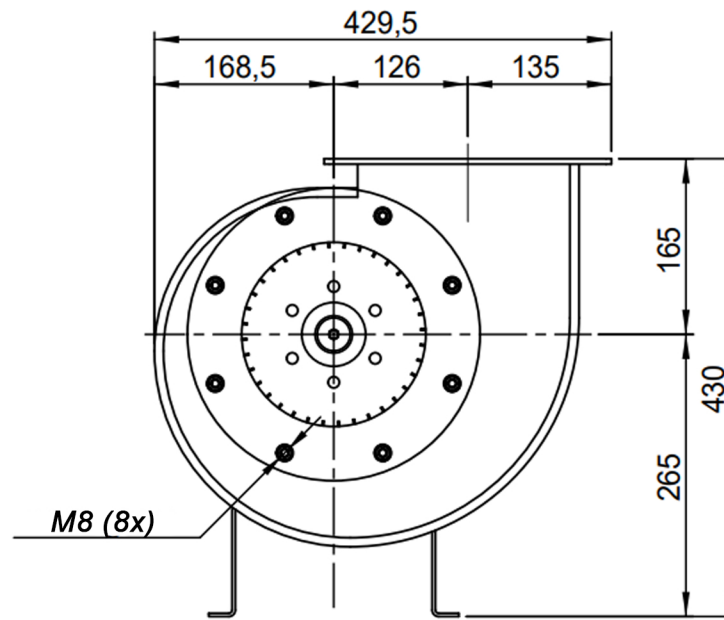
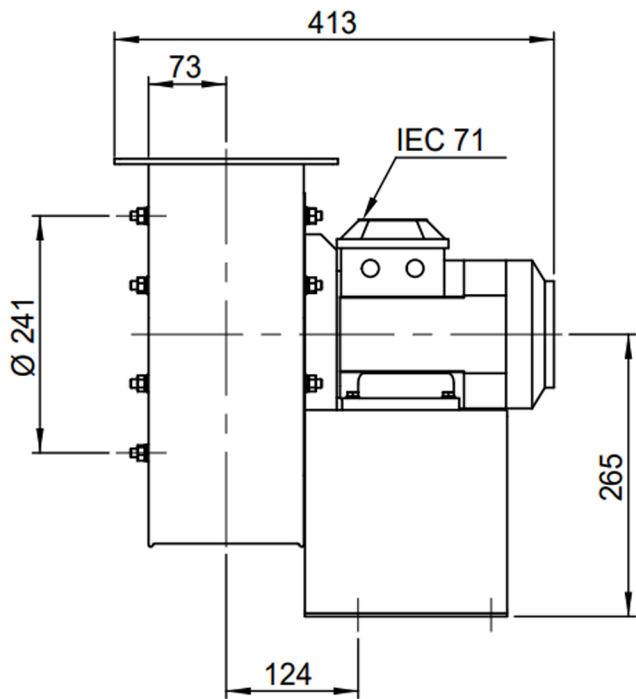
Possible discharge positions:




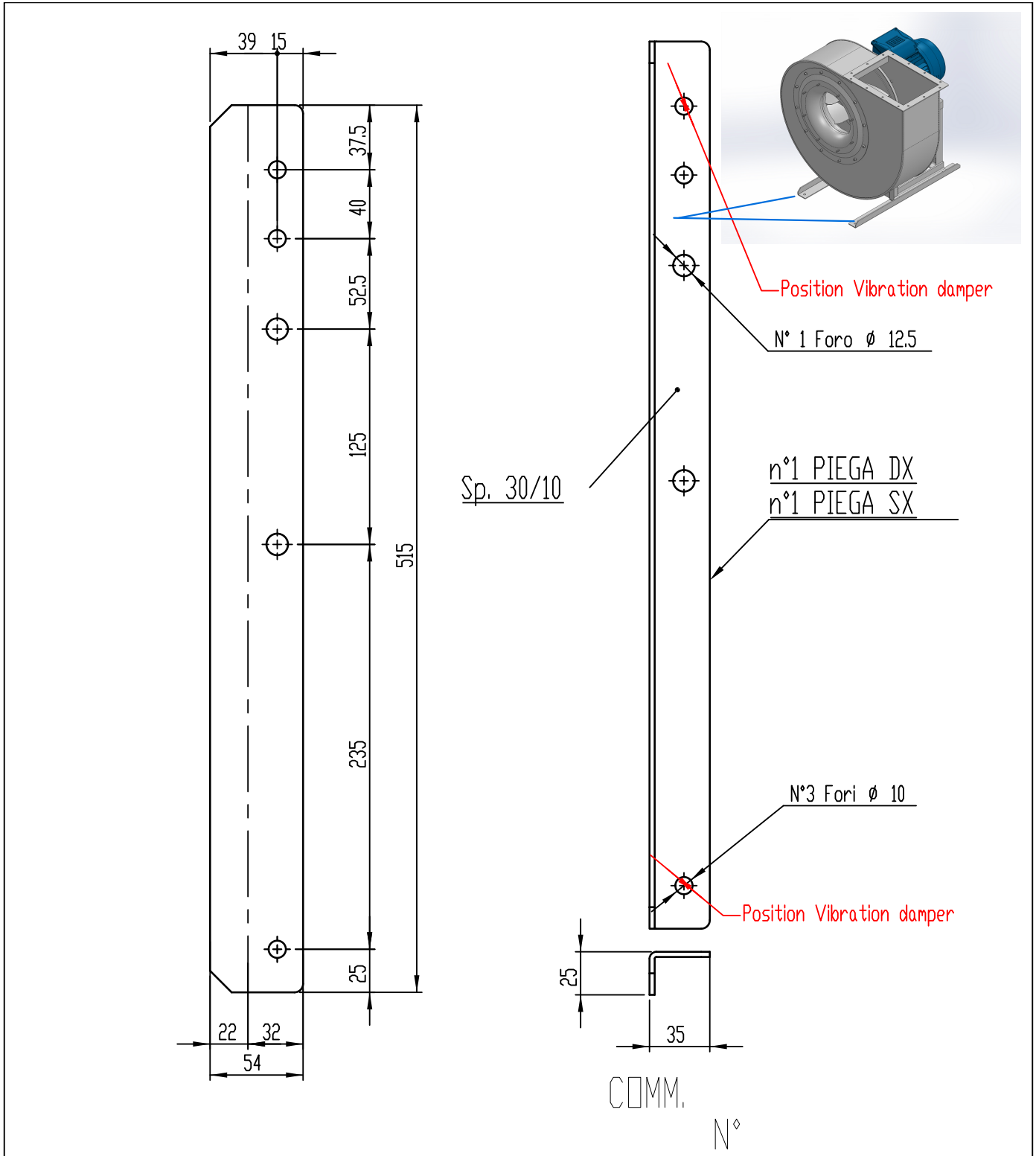
\* (Pos 180 and 225 extra price)

Possible accessories

Mounting profiles for load distribution	STF047502
Counterflange inlet/outlet	zz Ø200 / pz 200x140
Flexible connection inlet/outlet max. 80°C	zz Ø250 / pz Ø250
Anti-vibration mountings	4x 30X20/B/40° ShA
Inspection door	
Drain connection	
Shaft seal without asbestos	
Cooling wheel (medium max. 150°C)	( incl. coating RAL9006 )
Flexible connection inlet/outlet max. 150°C	zz Ø250 / pz Ø250
ATEX version	Zone 1 / 2 / 21 / 22
ATEX motor	Ex nA / Exe / Ex de
Coating suitable for outdoor application	RAL 5010 / RAL ....
Stainless steel version	304 / 316 / ...
Acoustic enclosure	



DESCRIPTION-BESCHRIJVING <b>BP201/C - RD0</b>	SCHAAL <b>1:7</b>	GEMAAKT - PREPARED <b>Overmeer E.</b>	FORMAAT <b>A4</b>
	DATUM <b>06/12/2023</b>		
N.TEKENING - N.DRAWING		REV.	
		<b>V1BP201/C</b>	
		<b>00</b>	



01	04/12/2019	Adattamento a sedie nuove		Galiotto M.	De Santi G.
00	11/11/2015	PRIMA EMISSIONE		Galiotto M.	De Santi G.
REV	DATA - DATE	DESCRIZIONE - DESCRIPTION		DISEGNATO PREPARED	CONTROLLATO CHECKED
DESCRIZIONE - DESCRIPTION		MATERIALE - MATERIAL	NR.FILE	PESO - WEIGHT	
		Fe 360	EUR00067975	Kg 0.64	
DESCRIZIONE - DESCRIPTION			SCALA	DISEGNATO - PREPARED	FORMATO
Staffe per Puffer L=515			1:3	Galiotto M.	A4
IEC 71-80			DATA	SOSTITUISCE IL - REPLACES THE N°	
			04/12/2019	SOSTITUITO DAL - REPLACES BY N°	
			N.DISEGNO - N.DRAWING		REV.
			STF047502		01