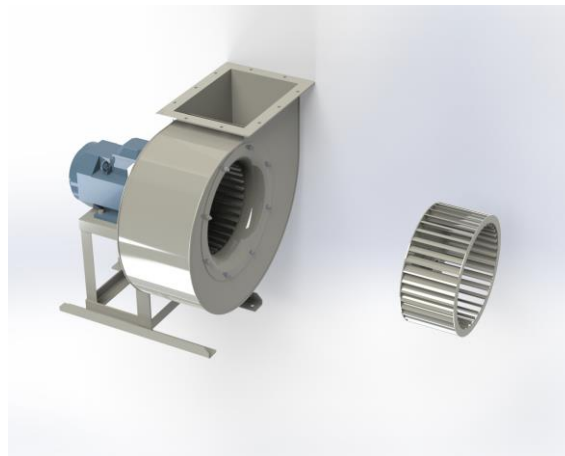


BP 161B



Centrifugal fan model BP, Es.4

Single inlet fan, direct driven with an IEC-standard motor in form B3 which is mounted on a motorbase. The overhang impeller is mounted on the motor shaft and has bent blades. The robust industrial fan is totally made of steel and painted in the agate grey color RAL 7037,. The fan is suitable for sucking in clean or slightly dusty air.

General data:

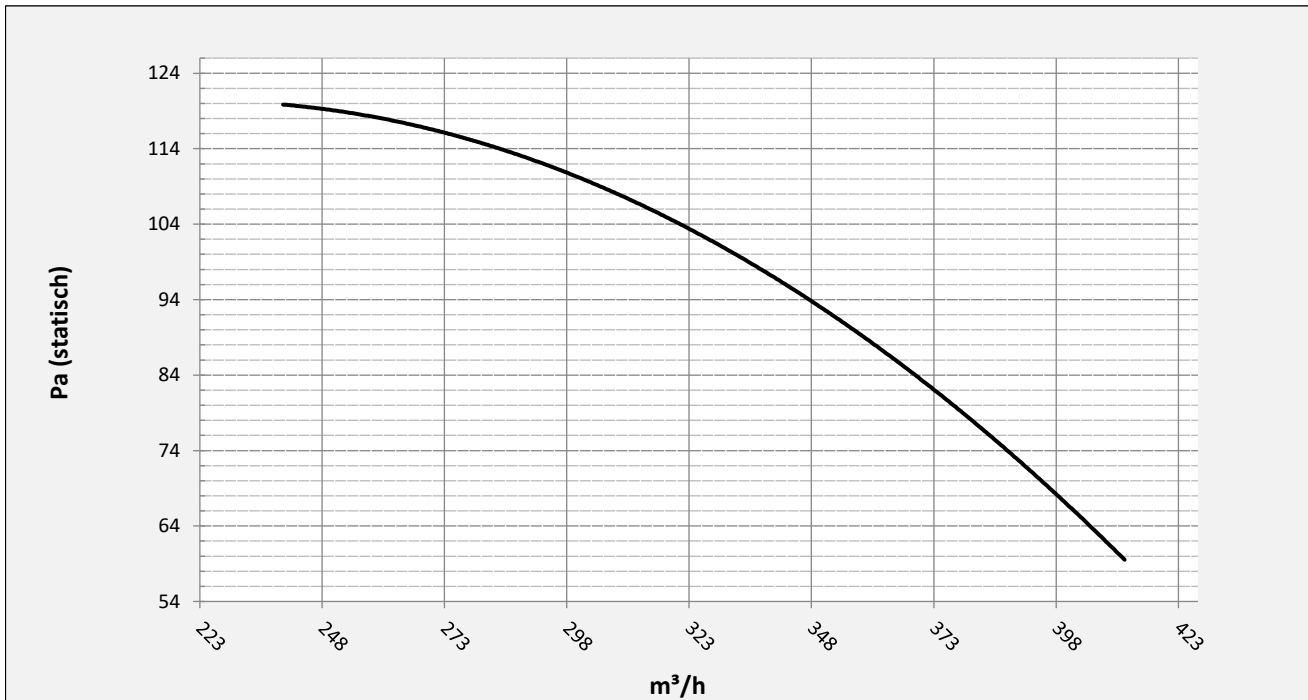
Drive	direct
Motor position	horizontal
Material casing/base	Steel
Material impeller/hub	Steel
Motorcoating/protection	RAL 7037
Operating temperature (max.)	15 (80) °C
Medium density (altitude 0 m)	1,226 kg/m ³
Impeller speed	1370 rpm
Weight	15 kg
Sound pressure level ±3	55 dB(A)

(at 1,5 m near the fan with inlet and outlet ducted, in free field)

Electric motor:

	63B	IEC
Power	0,12	kW
Motor speed	1.370	rpm
Electric supply	3x400V50Hz	V/Hz
Full load current	0,366	A
Enclosure	55	IP
Shape	B3T	
Efficiency class	IE3	

Curve BP 161B @ 1370rpm @ 15°C @ 0m



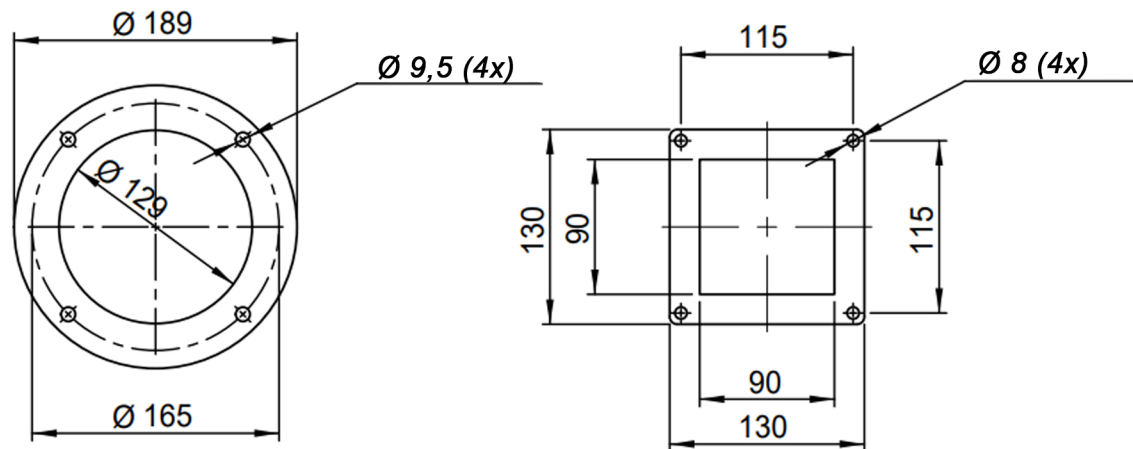
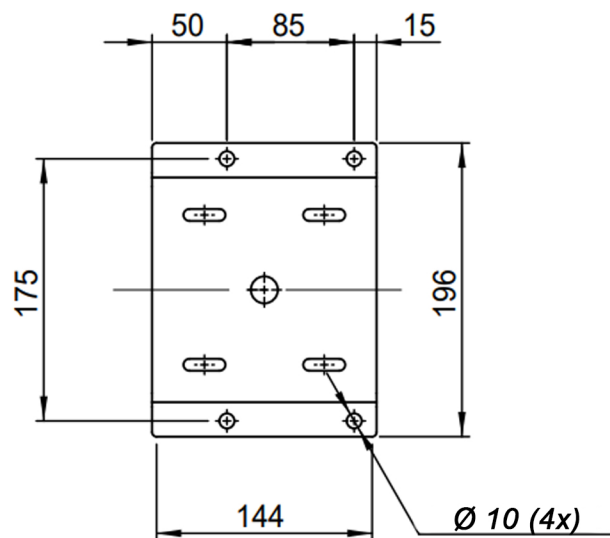
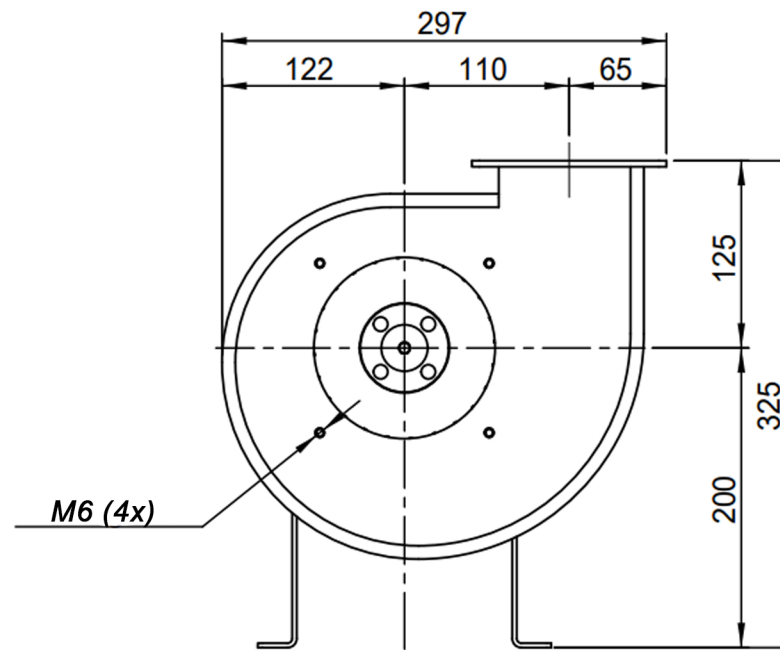
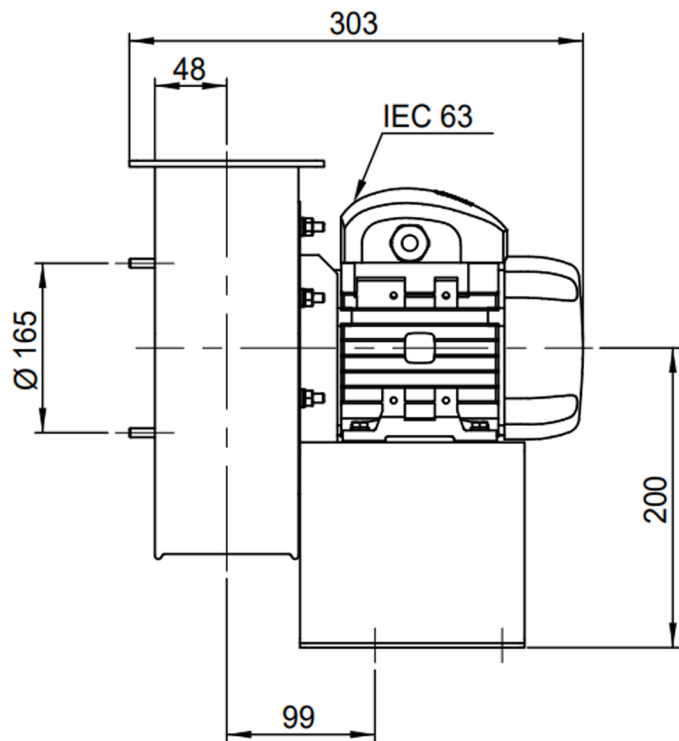
Possible discharge positions:



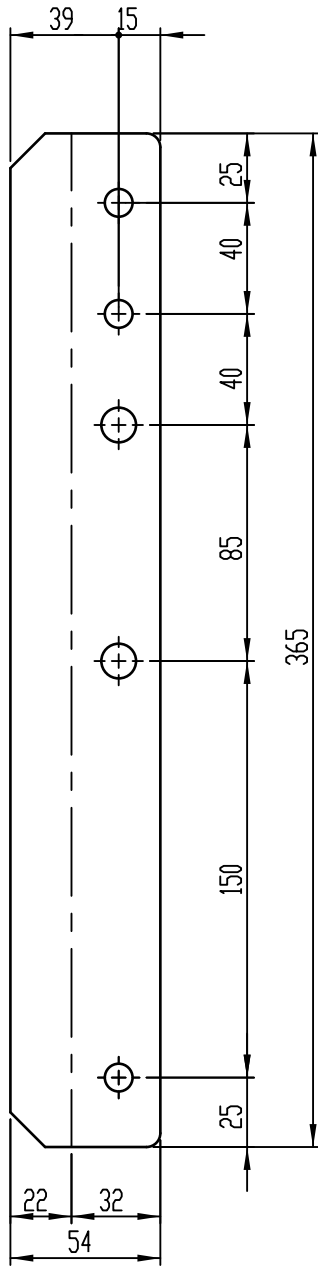
* (Pos 180 and 225 extra price)

Possible accessories

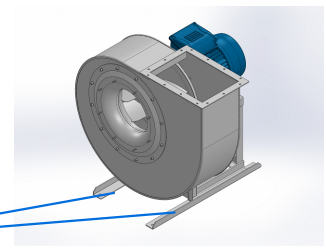
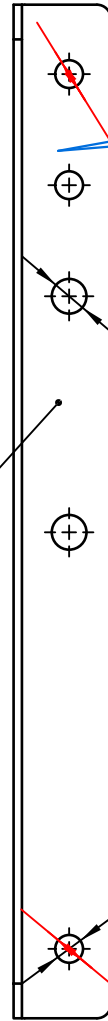
Mounting profiles for load distribution	STF032501
Counterflange inlet/outlet	zz Ø140 / pz 90x90
Flexible connection inlet/outlet max. 80°C	zz Ø160 / pz Ø200
Anti-vibration mountings	4x 30X20/B/40° ShA
Inspection door	
Drain connection	
Shaft seal without asbestos	
Cooling wheel (medium max. 150°C)	(incl. coating RAL9006)
Flexible connection inlet/outlet max. 150°C	zz Ø160 / pz Ø200
ATEX version	Zone 1 / 2 / 21 / 22
ATEX motor	Ex nA / Exe / Ex de
Coating suitable for outdoor application	RAL 5010 / RAL
Stainless steel version	304 / 316 / ...
Acoustic enclosure	



DESCRIPTION-BESCHRIJVING BP161/B - RD0	SCHAAL 1:5	GEMAAKT - PREPARED Overmeer E.	FORMAAT A4
	DATUM 06/12/2023		REV. 00
Slingerland ventilatoren		N.TEKENING - N.DRAWING V1BP161/B	



Sp. 30/10



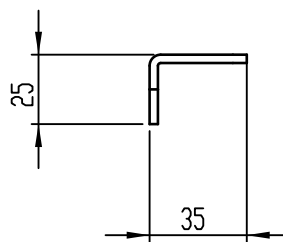
Position Vibration damper

N° 1 Foro ø 12.5

n°1 PIEGA DX
n°1 PIEGA SX

N°3 Fori ø 10

Position Vibration damper



COMM.

N°

01	04/12/2019	Adattamento a sedie nuove		Galiotto M.	De Santi G.
00	12/11/2015	PRIMA EMISSIONE		Galiotto M.	De Santi G.
REV	DATA - DATE	DESCRIZIONE - DESCRIPTION		DISEGNATO PREPARED	CONTROLLATO CHECKED
DESCRIZIONE - DESCRIPTION		MATERIALE - MATERIAL	NR.FILE	PESO - WEIGHT	
		Fe 360	EUR00067971	Kg 0.45	
DESCRIZIONE - DESCRIPTION			SCALA	DISEGNATO - PREPARED	FORMATO
Staffe per Puffer L=365			1:2.5	Galiotto M.	A4
IEC 63			DATA	SOSTITUISCE IL - REPLACES THE N°	
			04/12/2019	SOSTITUITO DAL - REPLACES BY N°	
			N.DISEGNO - N.DRAWING		REV.
			STF032501		01

