

MF 450D4/A



Axial wall fan model MF.

With our extensive range of standard Wall Fans, we offer a wide range of reliable and efficient fans.

These robust fans are used for various applications in horticulture, pig farming, dairy farming, poultry farming, and industrial markets.

These fans are specially designed for heavy corrosive environments and can also be used outdoors. These Wall Fans are optionally available with the energy-efficient ECplus technology.

General info:

Max. aircapacity	6450	m3/h
Material impeller	PP	
Impeller blades	6	
Impeller speed	1370	rpm
Power	0,28	kW
Electric supply	3x230-400/50	V/Hz
Nominal / Max current	1/0,6	1,1/0,6 A
Enclosure	55	IP
Weight	10,8	kg
Max./Min. medium temp.	40	-25 °C
Sound pressure level ±2*	65	dB(A)

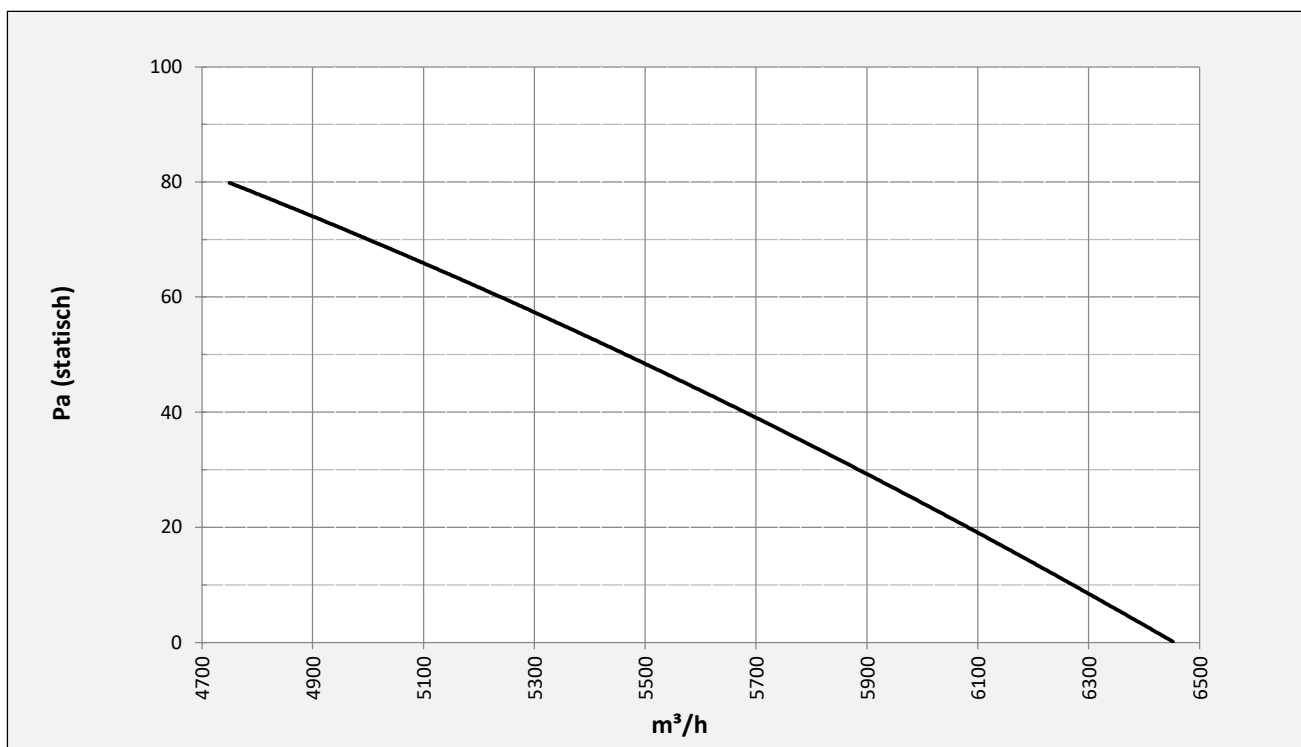
* (at 2m near the fan with inlet and outlet ducted, in free field)

Options:

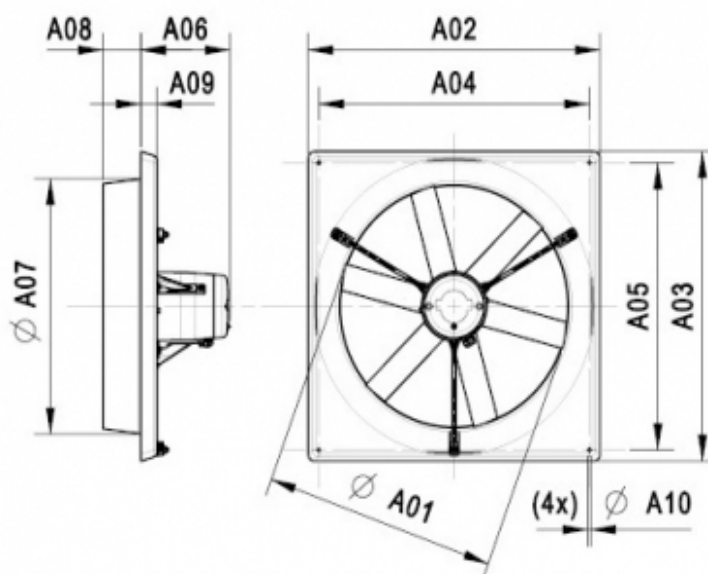
5-stands regulating transformer	STRS4-12L40 / STTA4-15L40
Air intake and exhaust wireguards	On Request
System 1 weather hood	On Request
Other regulators	On Request

MF 450D4/A

Graph:



Dimensions:



A01	A02	A03	A04	A05	A06	A07	A08	A09	A10
460	593	593	545	545	192	490	84	36	8