

MF 300D4/A



Axial wall fan model MF.

With our extensive range of standard Wall Fans, we offer a wide range of reliable and efficient fans.

These robust fans are used for various applications in horticulture, pig farming, dairy farming, poultry farming, and industrial markets.

These fans are specially designed for heavy corrosive environments and can also be used outdoors. These Wall Fans are optionally available with the energy-efficient ECplus technology.

General info:

| | | |
|--------------------------|--------------|----------|
| Max. aircapacity | 2350 | m3/h |
| Material impeller | PP | |
| Impeller blades | 6 | |
| Impeller speed | 1435 | rpm |
| Power | 0,11 | kW |
| Electric supply | 3x230-400/50 | V/Hz |
| Nominal / Max current | 0,5/0,3 | 05/0,3 A |
| Enclosure | 55 | IP |
| Weight | 8,3 | kg |
| Max./Min. medium temp. | 40 | -25 °C |
| Sound pressure level ±2* | 59 | dB(A) |

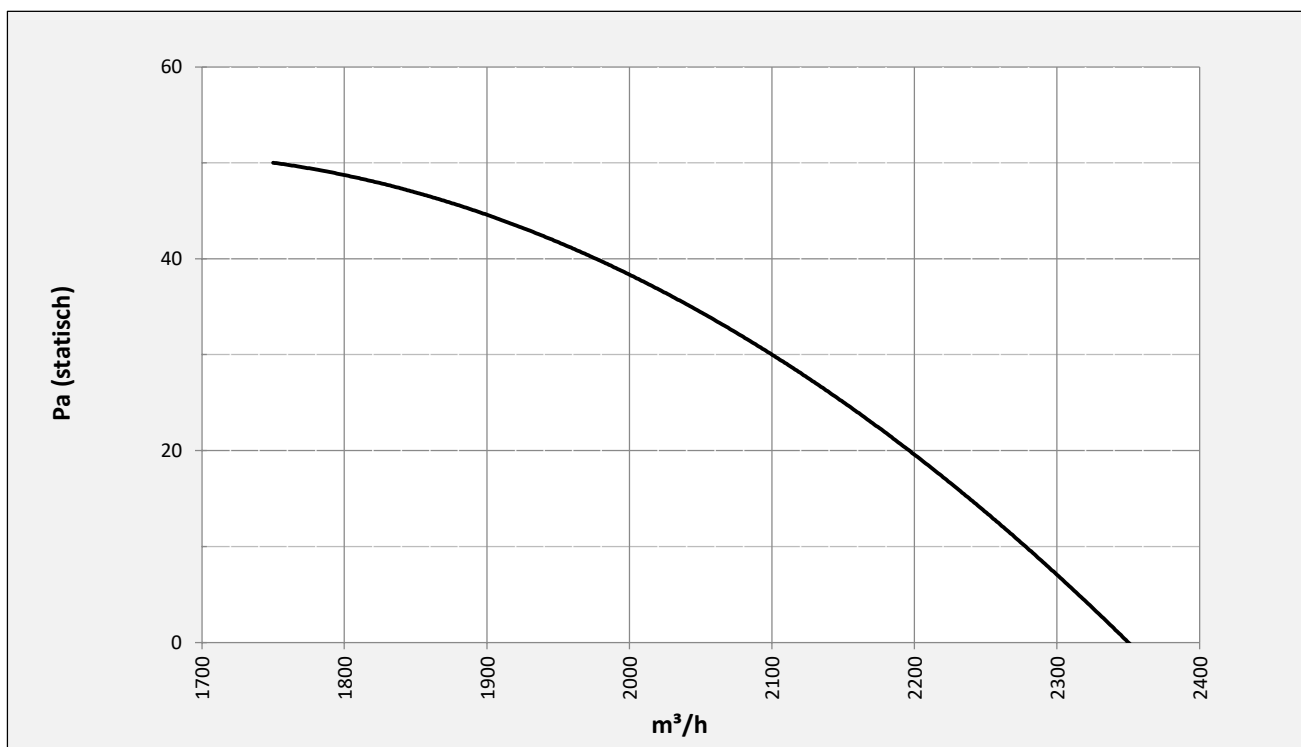
* (at 2m near the fan with inlet and outlet ducted, in free field)

Options:

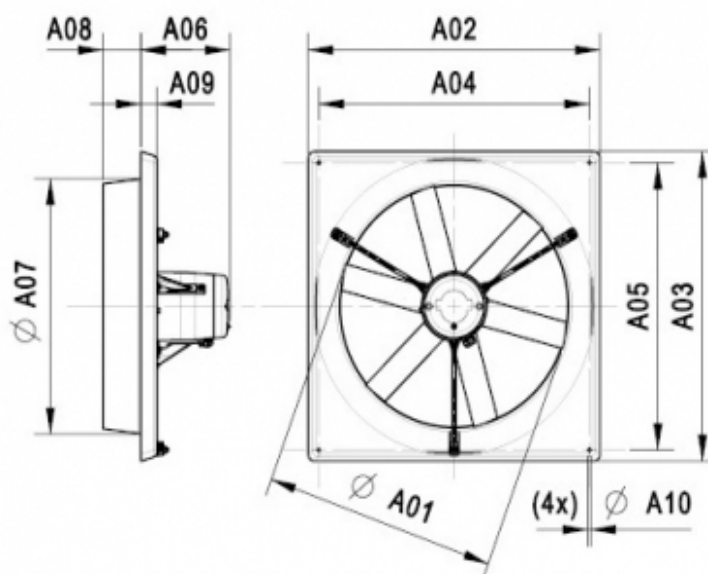
| | |
|-----------------------------------|---------------------------|
| 5-stands regulating transformer | STRS4-12L40 / STTA4-15L40 |
| Air intake and exhaust wireguards | On Request |
| System 1 weather hood | On Request |
| Other regulators | On Request |

MF 300D4/A

Graph:



Dimensions:



| A01 | A02 | A03 | A04 | A05 | A06 | A07 | A08 | A09 | A10 |
|-----|-----|-----|-----|-----|-----|-----|-----|-----|-----|
| 312 | 443 | 443 | 395 | 395 | 192 | 340 | 84 | 36 | 8 |