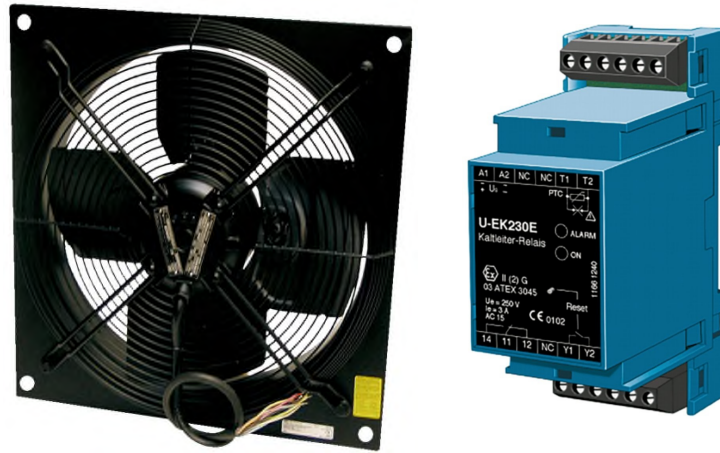


AW 650D6-2-EX



ATEX-certified
Speed-controllable
Integral thermal contact
Explosion proof

The AW - EX fans have speed controllable external rotor motors. The fans have a square plate for wall mounting and are painted in standard black. The casing and impeller are manufactured from sheet steel.

To protect the motor from overheating, integral thermistors are fitted with external leads which must be connected to the U-EK230E motor protection relay which is included by the purchase.

The AW-Ex fan motor is approved according to ATEX. Useful for Zone 1 and 2, groups IIA, IIB and temperature class T1, T2, or T3 (AW 355 and AW 420 also T4). Ignition protection "e".

General data:

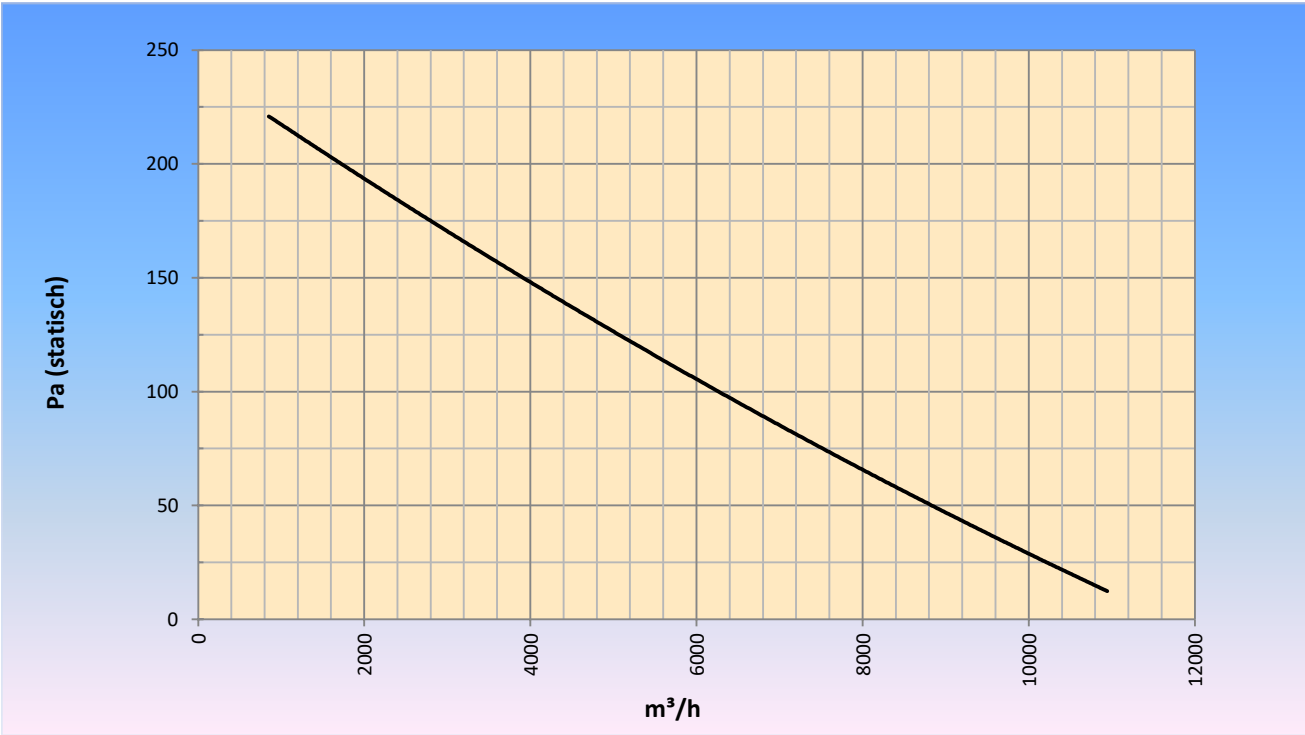
Max Air flow	10940	m3/h
Impeller speed	790	rpm
Input power	1,077	kW
Voltage (nominal)	3x400/50	V/Hz
Input current	1,78	A
Enclosure class, motor	44	IP
Weight	18,9	kg
Max. Temperature of transported air	40	°C
Max. temperature of transported air, when speed controlled	40	°C
Sound pressure level ±2*	72	dB(A)

* (at 3 m near the fan with inlet and outlet ducted, in free field)

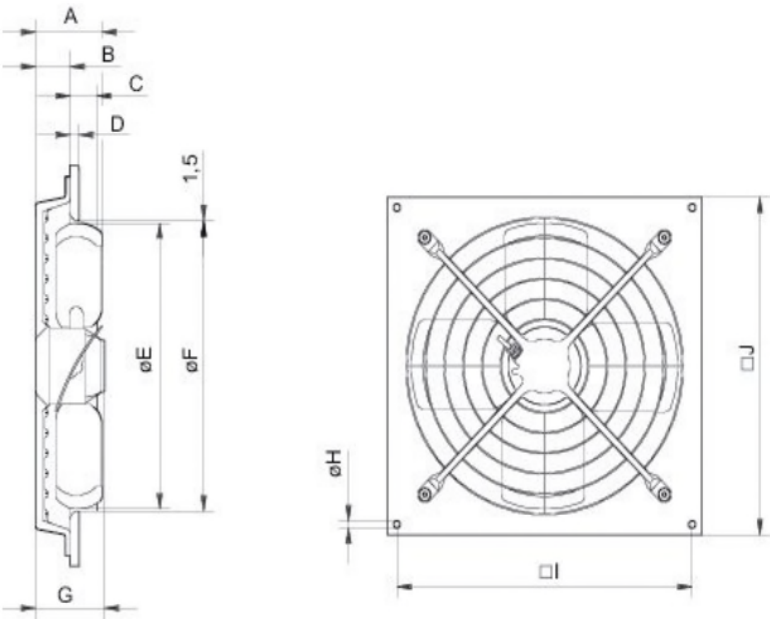
Options:

Louvre shutter, plastic	VK 710
five-step transformer	STRS4-25L40

Curve :

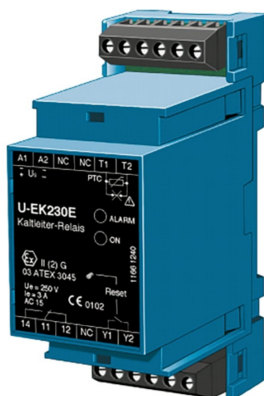


Dimensions:



A	B	C	D	E	F	G	H	I	J
162	66	78	18	651	658	161	14,5	730	770

U-EK230E Motor protection



Description

Thermistor motor protection

Monitoring device (PTC thermistor tripping device) with potential-free signal contact (at AC15: 250VAC & 3A)(e.g. for connection to a system controller or a frequency converter) to protect all motors with integrated PTC thermistors.

The U-EK 230E is a thermistor motor protection device which is intended for use in conjunction with a contactor for the protection of the Ex fans, it can also be used for fans with built-in thermistor. This is an electronic unit designed for snap fitting on to a 35 mm instrument rail. Fan motors have six series-connected thermistors, two per phase winding, whose resistance is determined...

Technical parameters

Nominal data	
Voltage (nominal)	230 V
Frequency	50 Hz
Protection/Classification	
Enclosure class	IP20
Controller and Sensors	
Permitted ambient temperature	-20 to 50 °C
Switching capacity	250V AC / 3A
Dimensions and weights	
Depth	58 mm
Height	116 mm
Width	35 mm
Weight	0.15 kg

Wiring

