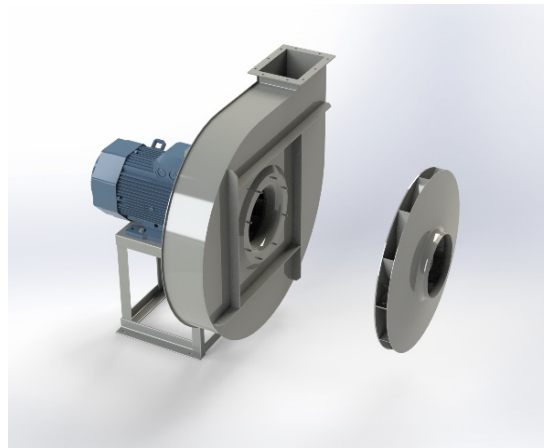


APRG 712B



Centrifugal fan model APRG, Es.4

Single inlet fan, direct driven with an IEC-standard motor in form B3 which is mounted on a motorbase. This series of high-pressure fans is characterized by a high efficiency with electricity saving by installing a special impeller with backward curved blades. The robust industrial fan is totally made of steel and painted in the agate gray RAL 7037. The fan is suitable for the transportation of clean and slightly dusty air.

General data:

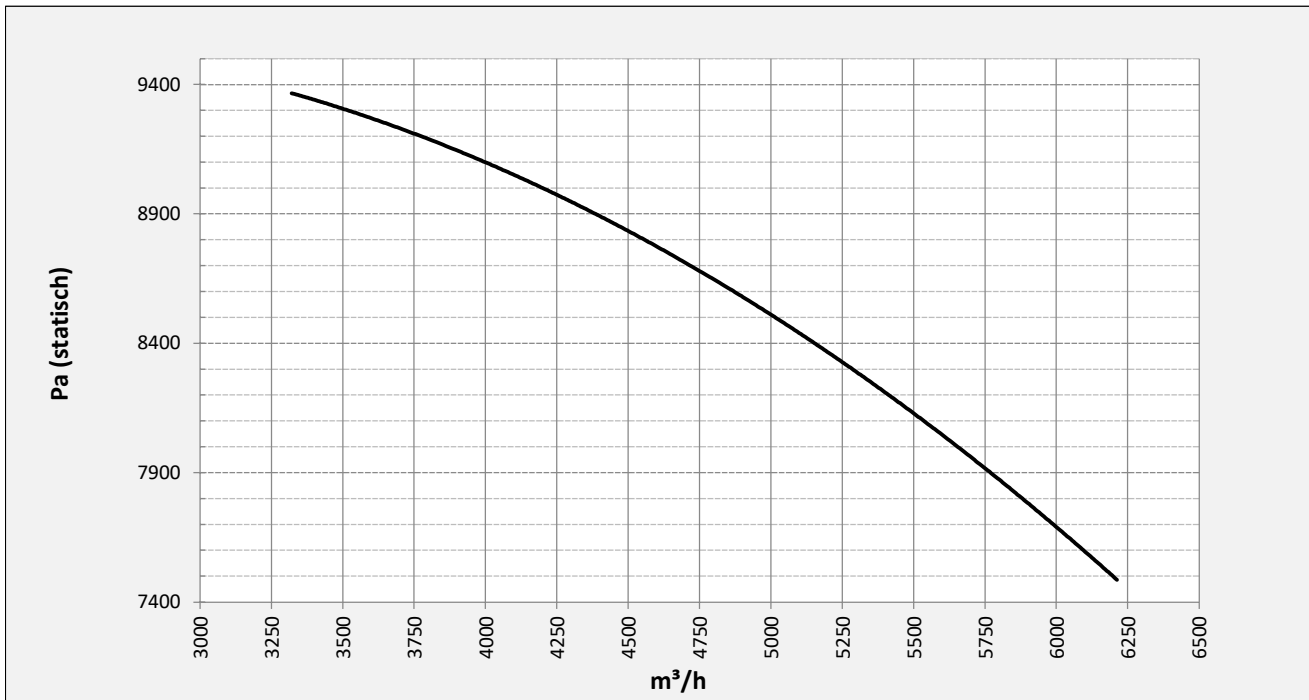
Drive	direct
Motor position	horizontal
Material casing/base	Steel
Material impeller/hub	Steel
Motorcoating/protection	RAL 7037
Operating temperature (max.)	15 (80) °C
Medium density (altitude 0 m)	1,226 kg/m ³
Impeller speed	2945 rpm
Weight	300 kg
Sound pressure level ±3	87 dB(A)

(at 1,5 m near the fan with inlet and outlet ducted, in free field)

Electric motor:

	160L	IEC
Power	18,5	kW
Motor speed	2.945	rpm
Electric supply	3x400V50Hz	V/Hz
Full load current	33,9	A
Enclosure	55	IP
Shape	B3T	
Efficiency class	IE3	

Curve APRG 712B @ 2945rpm @ 15°C @ 0m



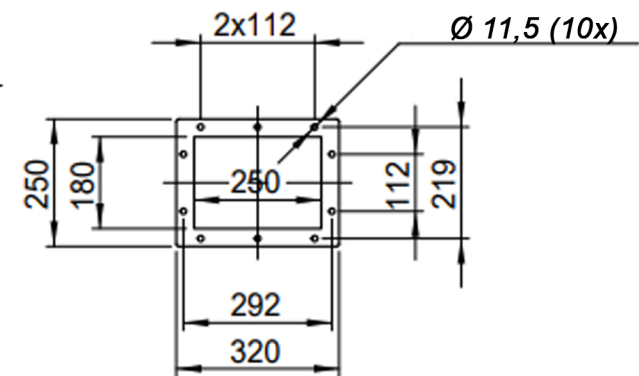
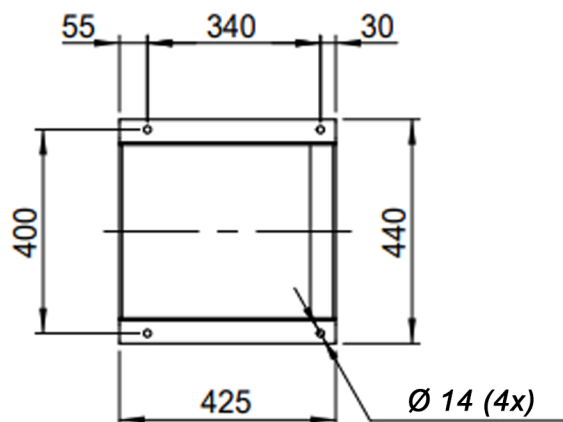
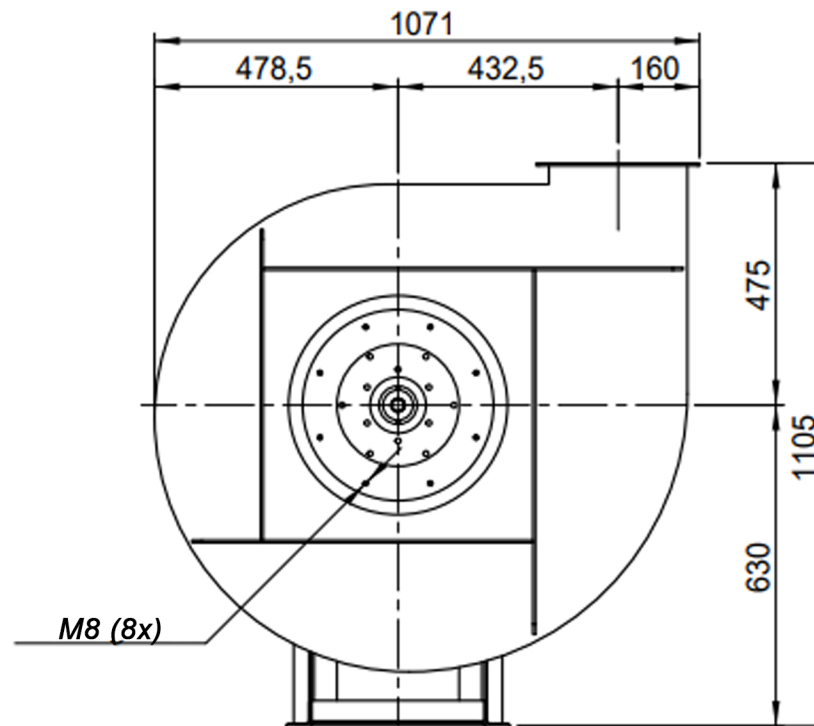
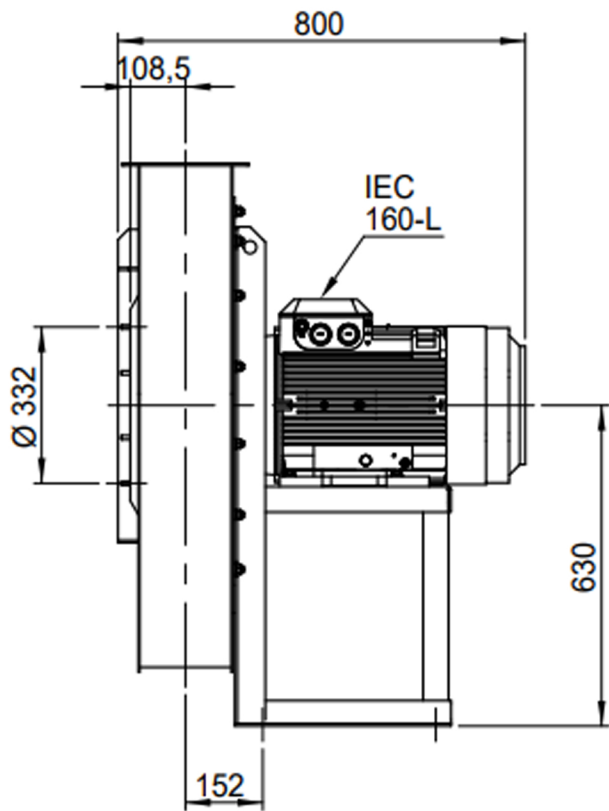
Possible discharge positions:




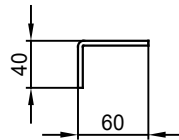
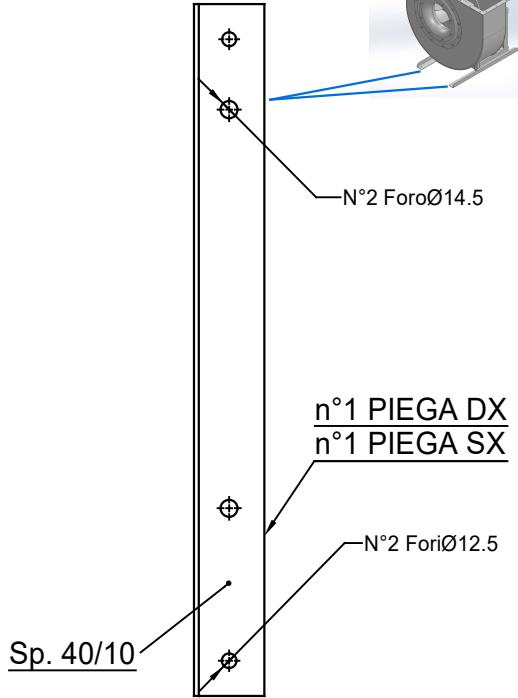
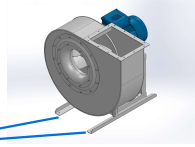
* (Pos 180 and 225 extra price)

Possible accessories

Mounting profiles for load distribution	AP16001ST
Counterflange inlet/outlet	zz Ø280 / pz 250x180
Flexible connection inlet/outlet max. 80°C	zz Ø315 / pz Ø315
Anti-vibration mountings	4x 50x40/B/70° ShA
Inspectiondoor	
Drain connection	
Shaft seal without asbestos	
Coolingwheel (medium max. 150°C)	(incl. coating RAL9006)
Flexible connection inlet/outlet max. 150°C	zz Ø315 / pz Ø315
ATEX version	Zone 1 / 2 / 21 / 22
ATEX motor	Ex nA / Exe / Ex de
Coating suitable for outdoor application	RAL 5010 / RAL
Stainless steel version	304 / 316 / ...
Acoustic enclosure	



DESCRIPTION-BESCHRIJVING	SCHAAL	GEMAAKT - PREPARED	FORMAAT
APRG712/B - RD0	1:15	Overmeer E.	A4
	DATUM		
	17/11/2023		
N.TEKENING - N.DRAWING			REV.
			V1APRG712/B
			00



COMM.
N°

00	04/02/2016	PRIMA EMISSIONE		RK	RK
01	16/09/2020	Extension pedestal		MvS	MvS
REV	DATA - DATE	DESCRIZIONE - DESCRIPTION			APPROVATO APPROVED
DESCRIZIONE - DESCRIPTION		MATERIALE - MATERIAL	NR.FILE	PESO - WEIGHT	
DESCRIZIONE - DESCRIPTION		Fe 360		Kg	
Staffe per Puffer L=650 IEC 160 / AP series			SCALA 1:4.5	DISEGNATO - PREPARED	FORMATO
			DATA 04/02/2016	RK	A4
			SOSTITUISCE IL - REPLACED THE N°		
			SOSTITUITO DAL - REPLACES BY N°		
N.DISEGNO - N.DRAWING				REV.	
STF-AP16001ST					
				01	