

## APG 902B



### Centrifugal fan model APG Es.4

Single inlet fan, direct driven with an IEC-standard motor in form B3 which is mounted on a motorbase. The overhang impeller is mounted on the motor shaft and has forward curved blades. De blades are welded between the back plate disc and the aerodynamically formed front plate. The fan is suitable for pneumatic transport, in cement plants, in the air supply of cabinets, in foundries and in oil burners, in mills, in pasta factories, in the chemical, iron and steel industry, in the metallurgical industry where small flows with medium and high pressure are required.

#### General data:

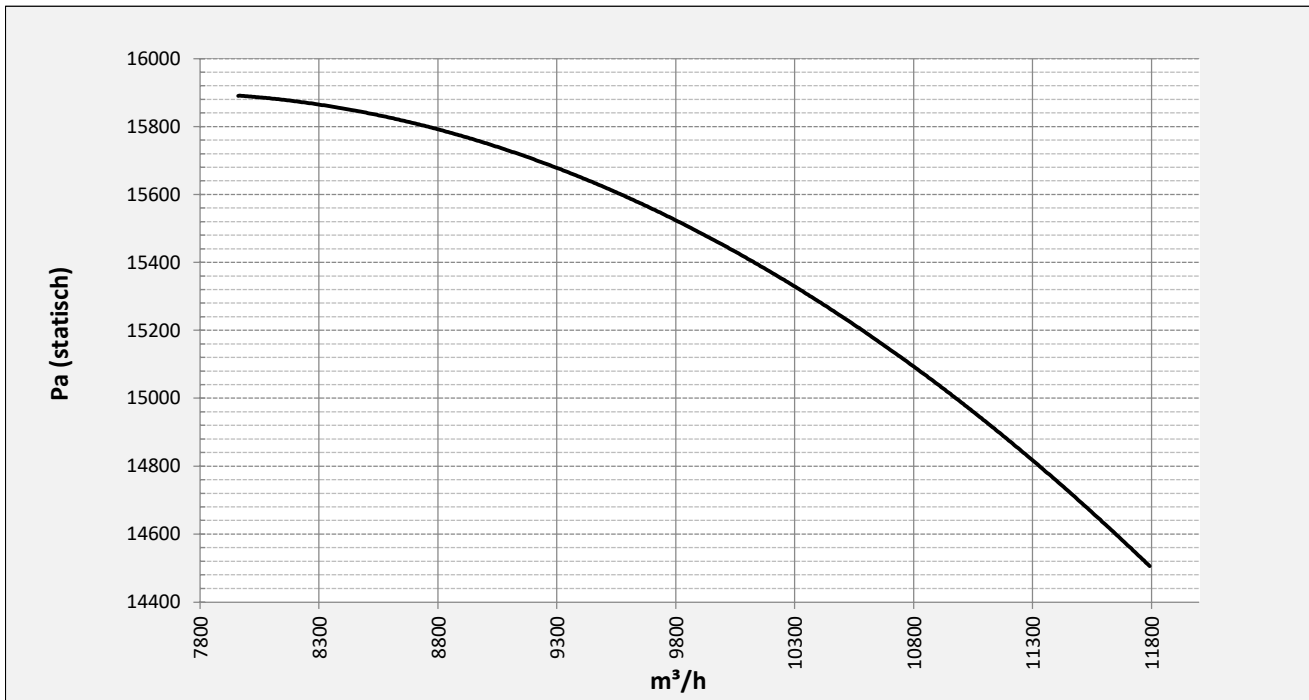
Drive	direct
Motor position	horizontal
Material casing/base	Steel
Material impeller/hub	Steel
Motorcoating/protection	RAL 7037
Operating temperature (max.)	15 (80) °C
Medium density (altitude 0 m)	1,226 kg/m <sup>3</sup>
Impeller speed	2975 rpm
Weight	1.087 kg
Sound pressure level ±3	92 dB(A)

*(at 1,5 m near the fan with inlet and outlet ducted, in free field)*

#### Electric motor:

	280S	IEC
Power	75	kW
Motor speed	2.975	rpm
Electric supply	3x400V50Hz	V/Hz
Full load current	130	A
Enclosure	55	IP
Shape	B3T	
Efficiency class	IE4	

**Curve APG 902B @ 2975rpm @ 15°C @ 0m**



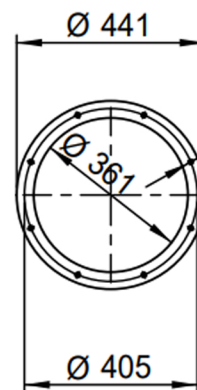
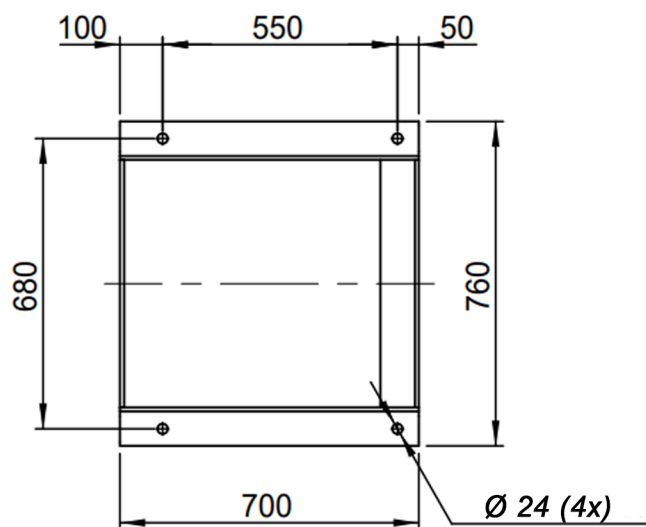
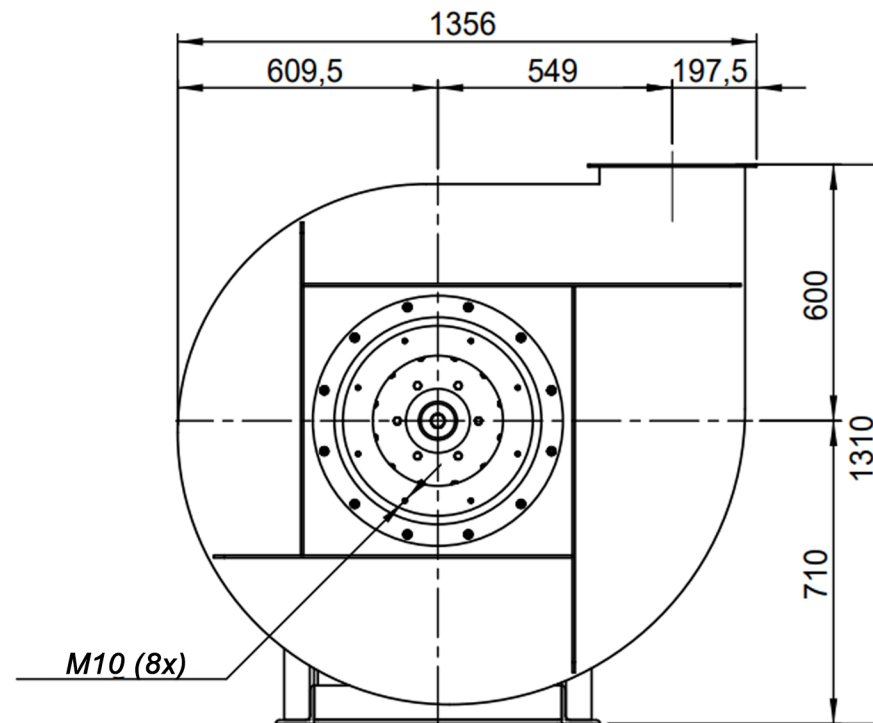
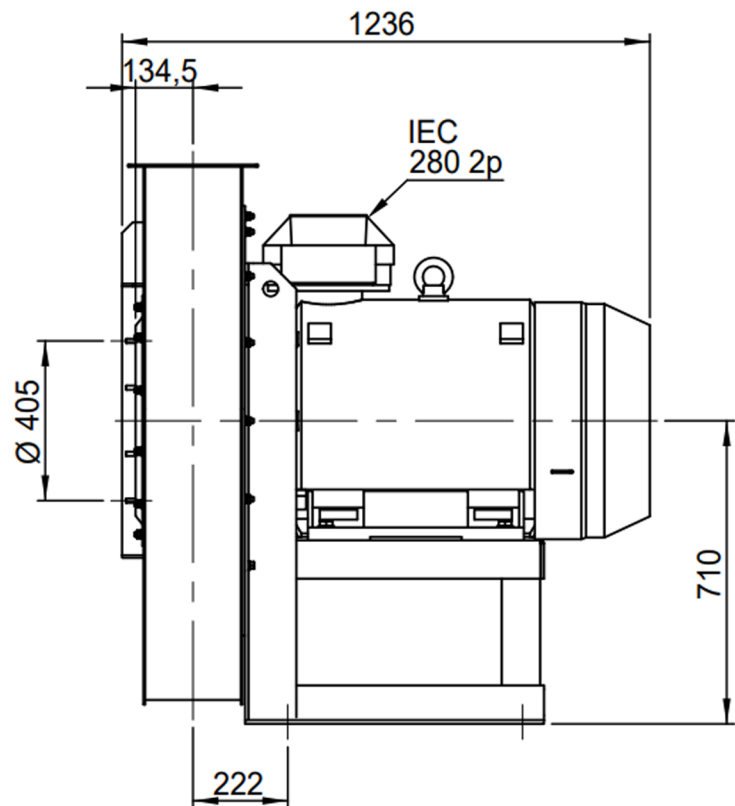
**Possible discharge positions:**



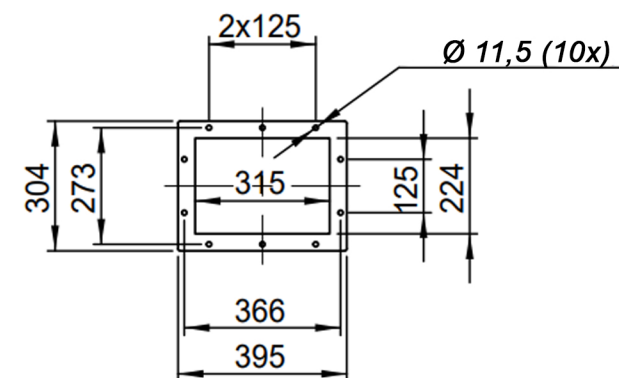
\* (Pos 180 and 225 extra price)

**Possible accessories**

Mounting profiles for load distribution	--
Counterflange inlet/outlet	zz Ø355 / pz 315x224
Flexible connection inlet/outlet max. 80°C	zz Ø400 / pz Ø400
Anti-vibration mountings	4x 100x55/B/70° ShA
Inspection door	
Drain connection	
Shaft seal without asbestos	
Coolingwheel (medium max. 150°C)	( incl. coating RAL9006 )
Flexible connection inlet/outlet max. 150°C	zz Ø400 / pz Ø400
ATEX version	Zone 1 / 2 / 21 / 22
ATEX motor	Ex nA / Exe / Ex de
Coating suitable for outdoor application	RAL 5010 / RAL ....
Stainless steel version	304 / 316 / ...
Acoustic enclosure	



Ø 11,5 (8x)



Ø 11,5 (10x)

DESCRIPTION-BESCHRIJVING

**APG902/B - RD0**

SCHAAL

1:18

GEMAAKT - PREPARED

Overmeer E.

FORMAAT

A4

DATUM

15/11/2023

N.TEKENING - N.DRAWING

REV.



**V1APG902/B**

00