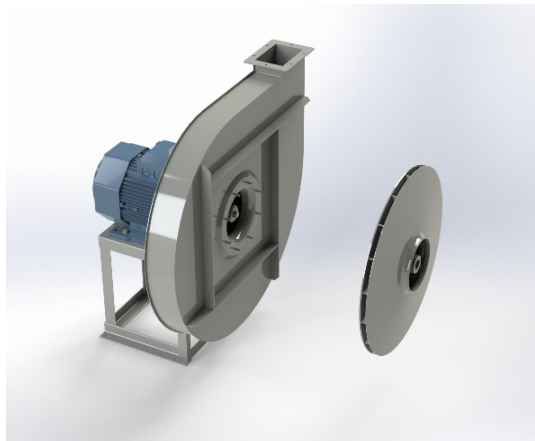


## APF 902C



### Centrifugal fan model APF Es.4

Single inlet fan, direct driven with an IEC-standard motor in form B3 which is mounted on a motorbase. The overhang impeller is mounted on the motor shaft and has forward curved blades. The blades are welded between the back plate disc and the aerodynamically formed front plate. The fan is suitable for pneumatic transport, in cement plants, in the air supply of cabinets, in foundries and in oil burners, in mills, in pasta factories, in the chemical, iron and steel industry, in the metallurgical industry where small flows with medium and high pressure are required.

#### General data:

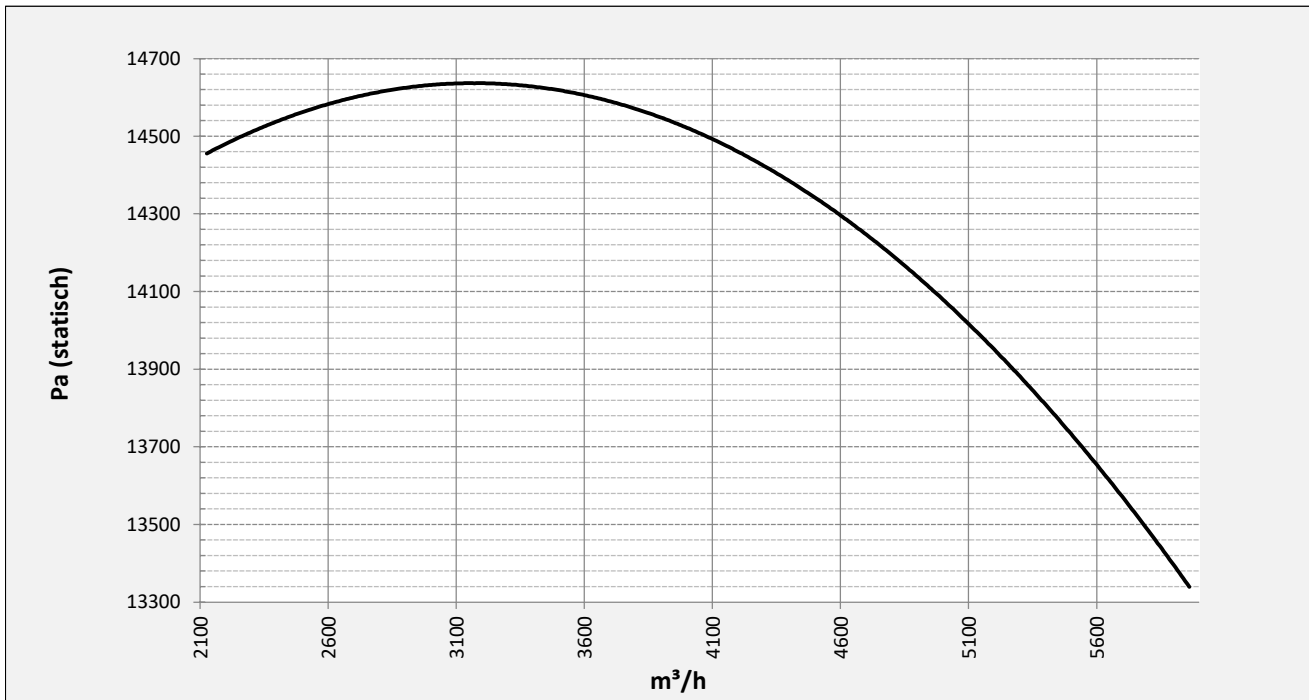
Drive	direct
Motor position	horizontal
Material casing/base	Steel
Material impeller/hub	Steel
Motorcoating/protection	RAL 7037
Operating temperature (max.)	15 (80) °C
Medium density (altitude 0 m)	1,226 kg/m <sup>3</sup>
Impeller speed	2960 rpm
Weight	604 kg
Sound pressure level ±3	90 dB(A)

*(at 1,5 m near the fan with inlet and outlet ducted, in free field)*

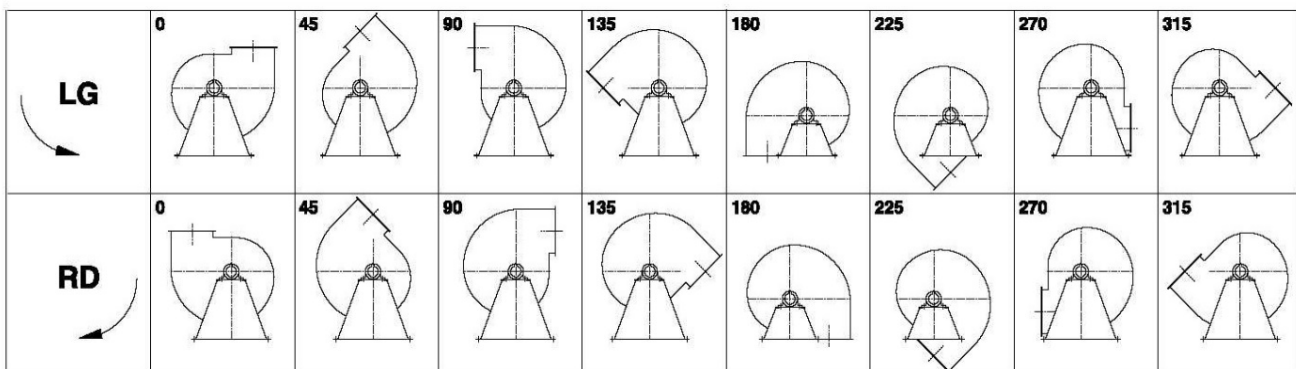
#### Electric motor:

	200L	IEC
Power	37	kW
Motor speed	2.960	rpm
Electric supply	3x400V50Hz	V/Hz
Full load current	67,8	A
Enclosure	55	IP
Shape	B3T	
Efficiency class	IE3	

**Curve APF 902C @ 2960rpm @ 15°C @ 0m**



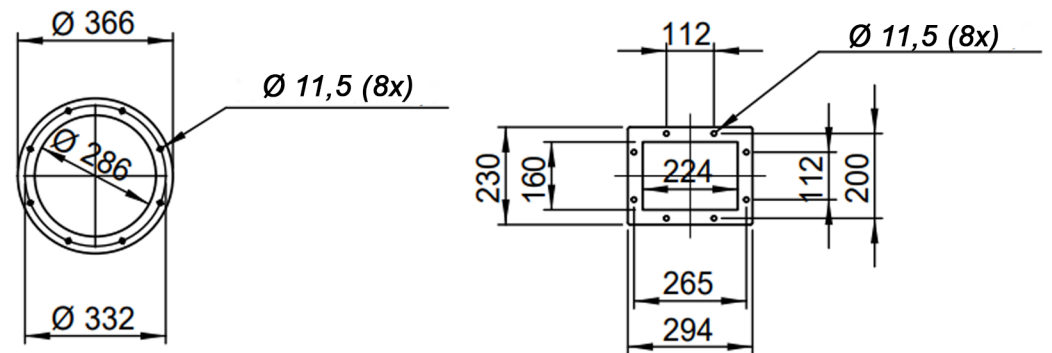
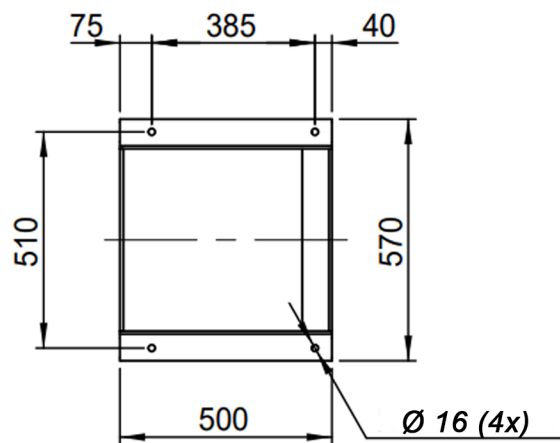
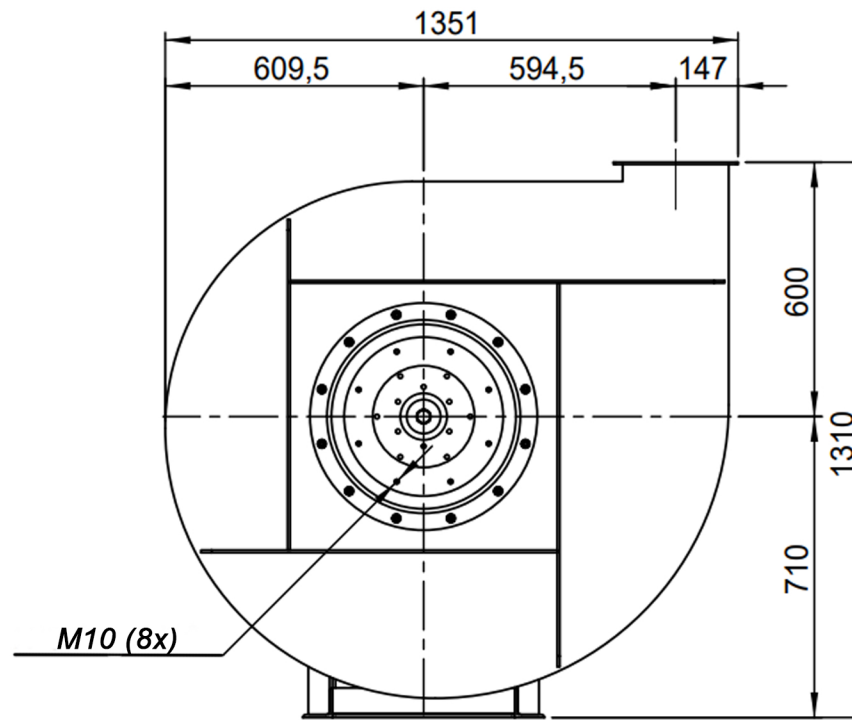
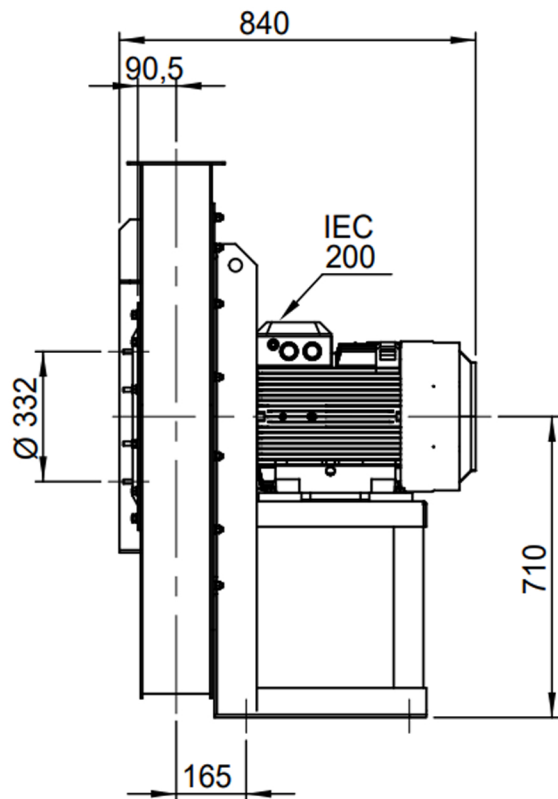
**Possible discharge positions:**




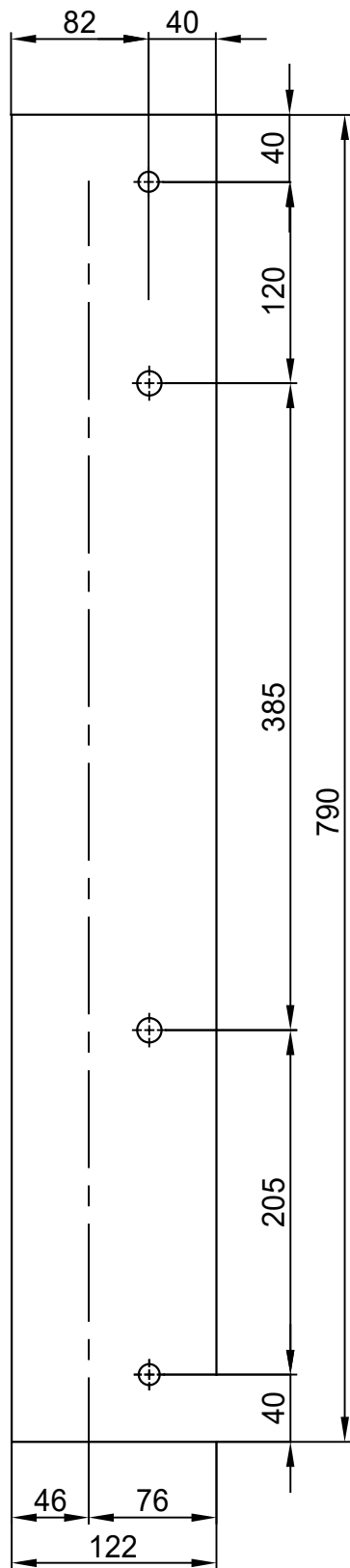
\* (Pos 180 and 225 extra price)

**Possible accessories**

Mounting profiles for load distribution	STF AP20001ST
Counterflange inlet/outlet	zz Ø280 / pz 224x160
Flexible connection inlet/outlet max. 80°C	zz Ø315 / pz Ø315
Anti-vibration mountings	4x 70x45/B/70° ShA
Inspection door	
Drain connection	
Shaft seal without asbestos	
Cooling wheel (medium max. 150°C)	( incl. coating RAL9006 )
Flexible connection inlet/outlet max. 150°C	zz Ø315 / pz Ø315
ATEX version	Zone 1 / 2 / 21 / 22
ATEX motor	Ex nA / Exe / Ex de
Coating suitable for outdoor application	RAL 5010 / RAL ....
Stainless steel version	304 / 316 / ...
Acoustic enclosure	



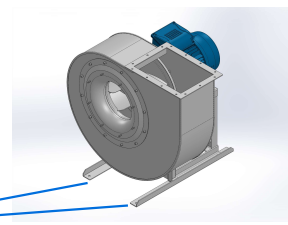
DESCRIPTION-BESCHRIJVING <b>APF902/C - RD0</b>	SCHAAL <b>1:18</b>	GEMAAKT - PREPARED <b>Overmeer E.</b>	FORMAAT <b>A4</b>
	DATUM <b>10/11/2023</b>		
Slingerland ventilatoren 		N.TEKENING - N.DRAWING <b>V1APF902/C</b>	
			REV. <b>00</b>



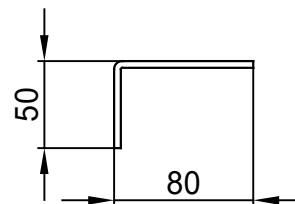
Sp. 40/10

N°2 ForoØ14.5

n°1 PIEGA DX  
n°1 PIEGA SX



COMM.  
N°



N°2 ForiØ12.5

00	04/02/2016	PRIMA EMISSIONE		RK	RK
REV	DATA - DATE	DESCRIZIONE - DESCRIPTION		DISEGNATO PREPARED	APPROVATO APPROVED
DESCRIZIONE - DESCRIPTION		MATERIALE - MATERIAL	NR.FILE	PESO - WEIGHT	
		Fe 360		Kg	
DESCRIZIONE - DESCRIPTION			SCALA	DISEGNATO - PREPARED	FORMATO
Staffe per Puffer L=750			1:4.5	RK	A4
IEC 200 / AP series			DATA	SOSTITUISCE IL - REPLACED THE N°	
			04/02/2016	SOSTITUITO DAL - REPLACES BY N°	
N.DISEGNO - N.DRAWING				REV.	
STF-AP20001ST				01	