

## APF 801C



### Centrifugal fan model APF Es.4

Single inlet fan, direct driven with an IEC-standard motor in form B3 which is mounted on a motorbase. The overhang impeller is mounted on the motor shaft and has forward curved blades. De blades are welded between the back plate disc and the aerodynamically formed front plate. The fan is suitable for pneumatic transport, in cement plants, in the air supply of cabinets, in foundries and in oil burners, in mills, in pasta factories, in the chemical, iron and steel industry, in the metallurgical industry where small flows with medium and high pressure are required.

#### General data:

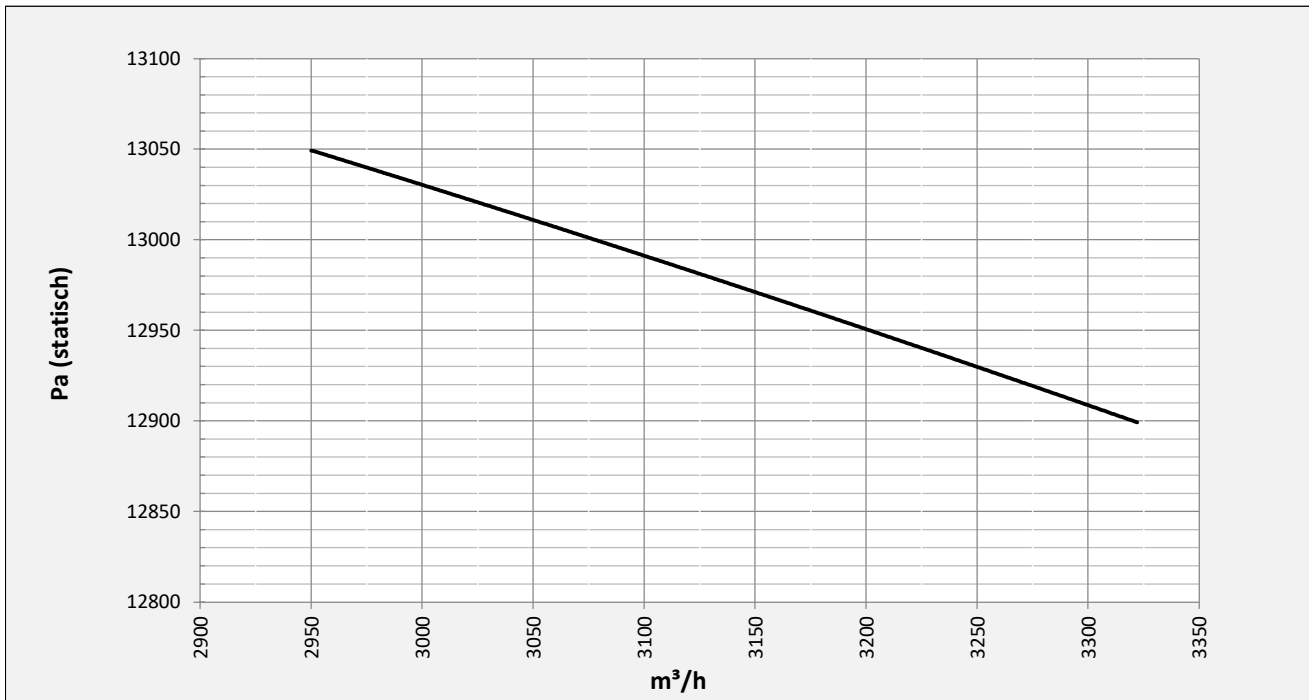
Drive	direct
Motor position	horizontal
Material casing/base	Steel
Material impeller/hub	Steel
Motorcoating/protection	RAL 7037
Operating temperature (max.)	15 (80) °C
Medium density (altitude 0 m)	1,226 kg/m <sup>3</sup>
Impeller speed	2950 rpm
Weight	423 kg
Sound pressure level ±3	88 dB(A)

*(at 1,5 m near the fan with inlet and outlet ducted, in free field)*

#### Electric motor:

	180M	IEC
Power	22	kW
Motor speed	2.950	rpm
Electric supply	3x400V50Hz	V/Hz
Full load current	39,7	A
Enclosure	55	IP
Shape	B3T	
Efficiency class	IE3	

**Curve APF 801C @ 2950rpm @ 15°C @ 0m**



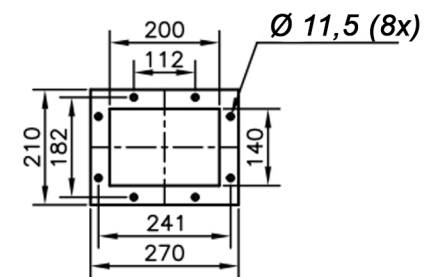
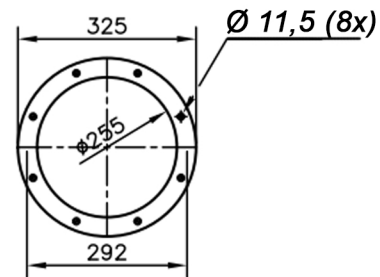
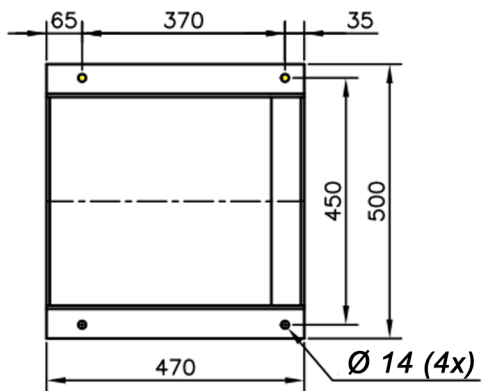
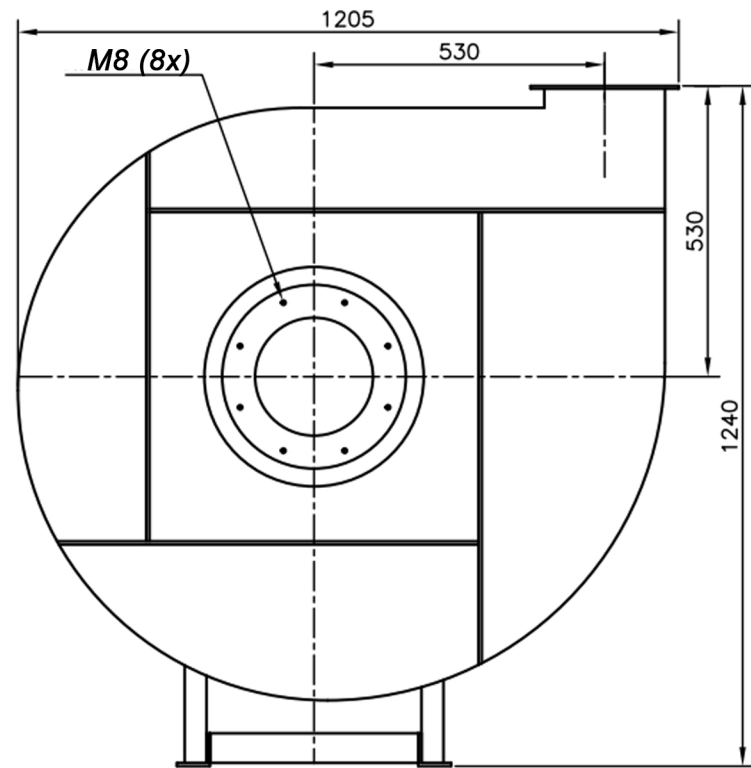
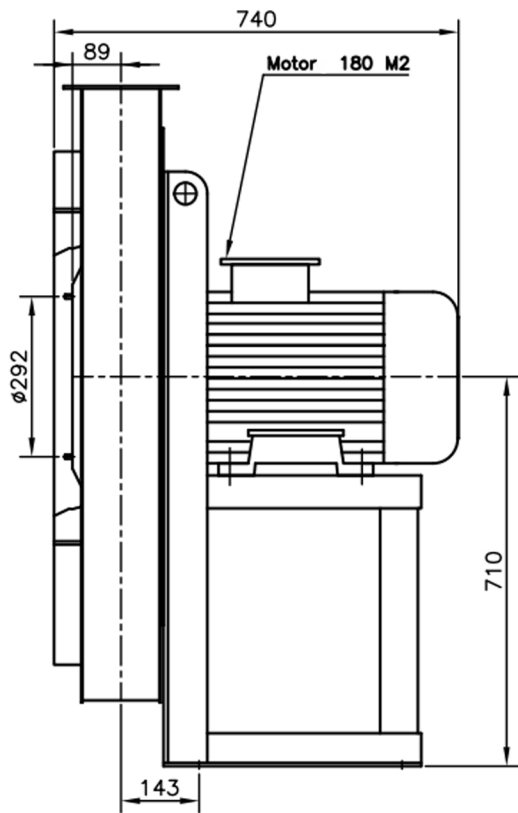
**Possible discharge positions:**




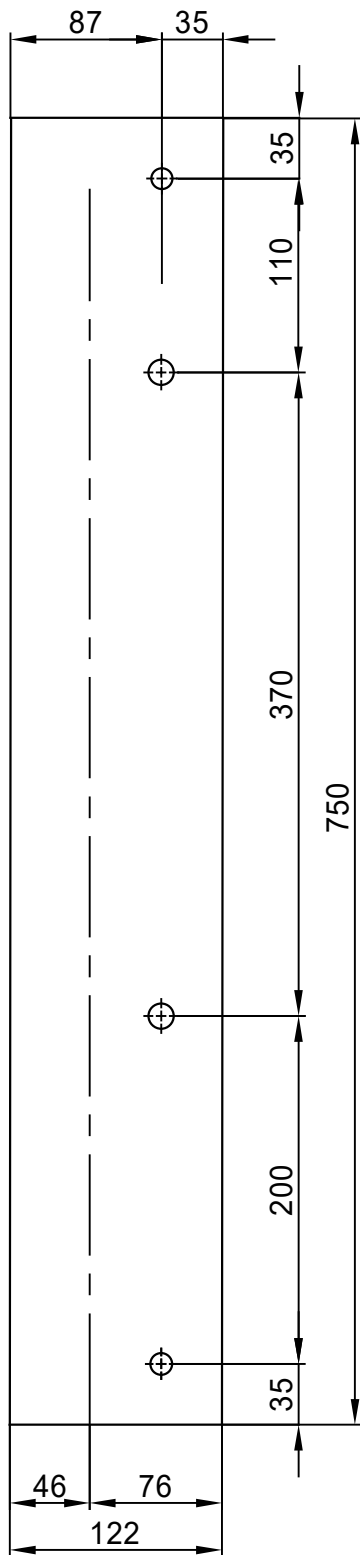
\* (Pos 180 and 225 extra price)

**Possible accessories**

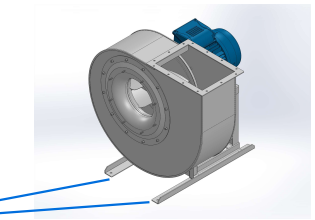
Mounting profiles for load distribution	STF AP18001ST
Counterflange inlet/outlet	zz Ø250 / pz 200x140
Flexible connection inlet/outlet max. 80°C	zz Ø250 / pz Ø250
Anti-vibration mountings	4x 70x45/B/70° ShA
Inspectiondoor	
Drain connection	
Shaft seal without asbestos	
Coolingwheel (medium max. 150°C)	( incl. coating RAL9006 )
Flexible connection inlet/outlet max. 150°C	zz Ø250 / pz Ø250
ATEX version	Zone 1 / 2 / 21 / 22
ATEX motor	Ex nA / Exe / Ex de
Coating suitable for outdoor application	RAL 5010 / RAL ....
Stainless steel version	304 / 316 / ...
Acoustic enclosure	



DESCRIPTION-BESCHRIJVING	SCHAAL	GEMAAKT - PREPARED	FORMAAT
<b>APF801/C - RD0</b>	<b>1:14</b>	<b>Overmeer E.</b>	<b>A4</b>
	DATUM		
	<b>10/11/2023</b>		
N.TEKENING - N.DRAWING		REV	
		<b>V1APF801/C</b>	
		<b>00</b>	



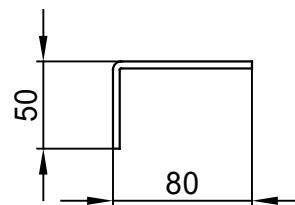
Sp. 40/10



N°2 ForoØ14.5

n°1 PIEGA DX  
n°1 PIEGA SX

N°2 ForiØ12.5



COMM.  
N°

00	04/02/2016	PRIMA EMISSIONE	RK	RK
REV	DATA - DATE	DESCRIZIONE - DESCRIPTION	DISEGNATO PREPARED	APPROVATO APPROVED
DESCRIZIONE - DESCRIPTION		MATERIALE - MATERIAL	NR.FILE	PESO - WEIGHT
		Fe 360		Kg
DESCRIZIONE - DESCRIPTION		SCALA 1:4.5	DISEGNATO - PREPARED	FORMATO
Staffe per Puffer L=710		DATA 04/02/2016	RK	A4
IEC 180 / AP series		SOSTITUISCE IL - REPLACED THE N°		
		SOSTITUITO DAL - REPLACES BY N°		
N.DISEGNO - N.DRAWING			REV.	
STF-AP18001ST			Slingerland ventilatoren	
			01	