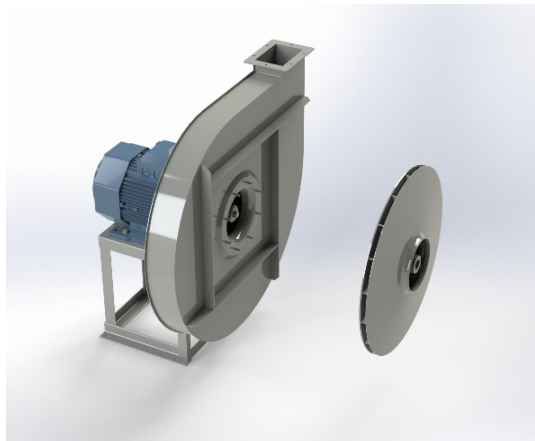


## APF 631B



### Centrifugal fan model APF Es.4

Single inlet fan, direct driven with an IEC-standard motor in form B3 which is mounted on a motorbase. The overhang impeller is mounted on the motor shaft and has forward curved blades. De blades are welded between the back plate disc and the aerodynamically formed front plate. The fan is suitable for pneumatic transport, in cement plants, in the air supply of cabinets, in foundries and in oil burners, in mills, in pasta factories, in the chemical, iron and steel industry, in the metallurgical industry where small flows with medium and high pressure are required.

#### General data:

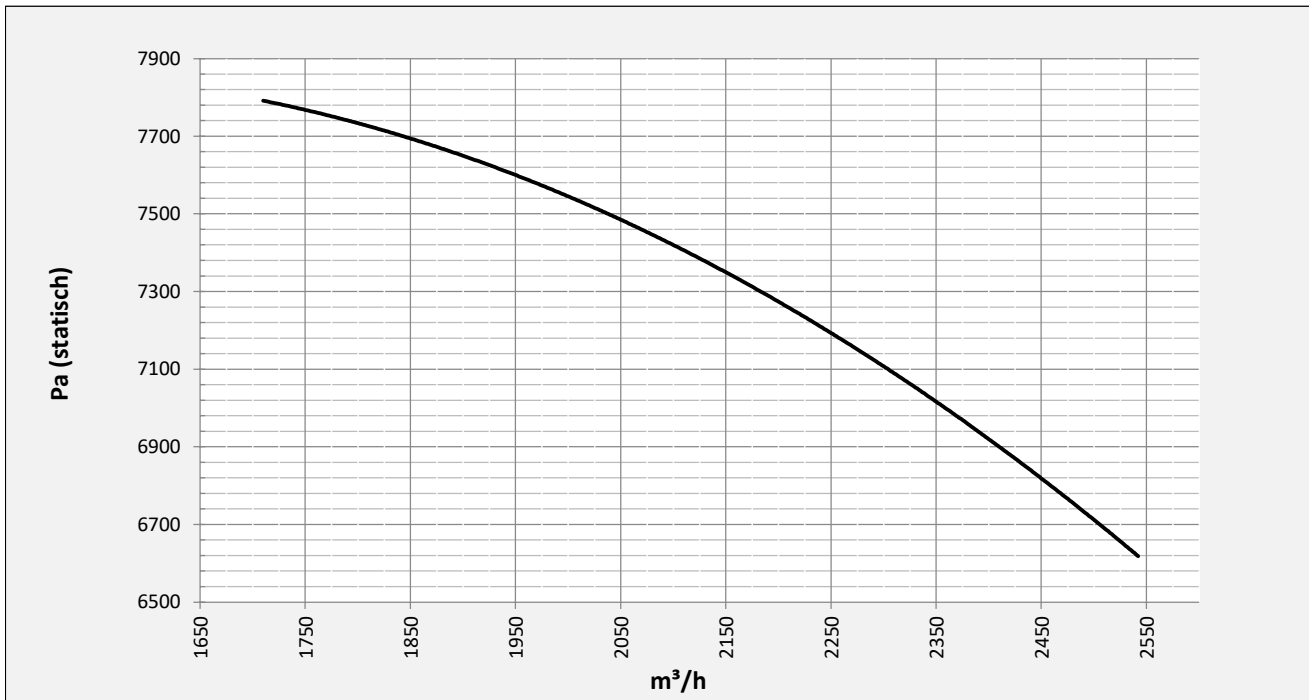
|                               |                         |
|-------------------------------|-------------------------|
| Drive                         | direct                  |
| Motor position                | horizontal              |
| Material casing/base          | Steel                   |
| Material impeller/hub         | Steel                   |
| Motorcoating/protection       | RAL 7037                |
| Operating temperature (max.)  | 15 (80) °C              |
| Medium density (altitude 0 m) | 1,226 kg/m <sup>3</sup> |
| Impeller speed                | 2930 rpm                |
| Weight                        | 152 kg                  |
| Sound pressure level ±3       | 84 dB(A)                |

*(at 1,5 m near the fan with inlet and outlet ducted, in free field)*

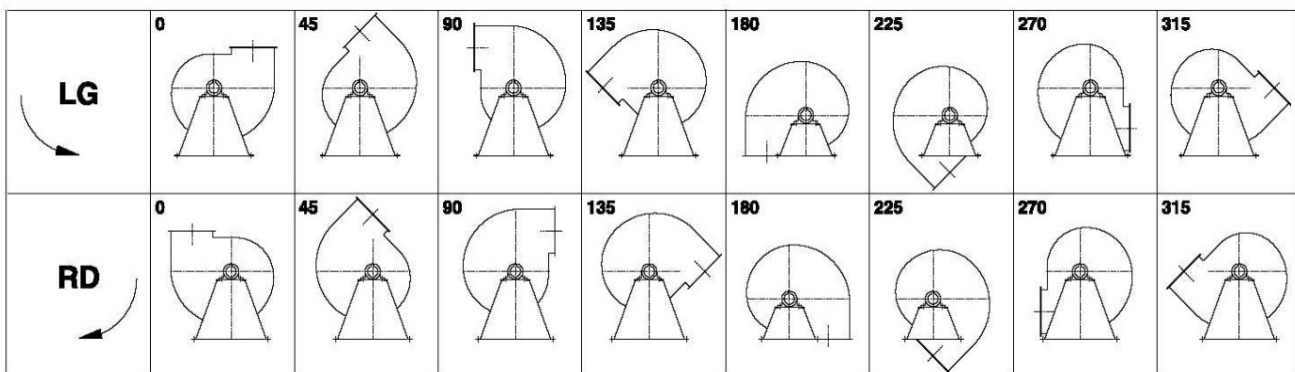
#### Electric motor:

|                   |            |      |
|-------------------|------------|------|
|                   | 132M       | IEC  |
| Power             | 9,2        | kW   |
| Motor speed       | 2.930      | rpm  |
| Electric supply   | 3x400V50Hz | V/Hz |
| Full load current | 16,6       | A    |
| Enclosure         | 55         | IP   |
| Shape             | B3T        |      |
| Efficiency class  | IE3        |      |

**Curve APF 631B @ 2930rpm @ 15°C @ 0m**



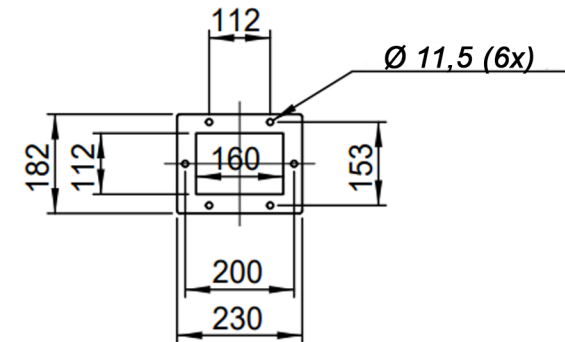
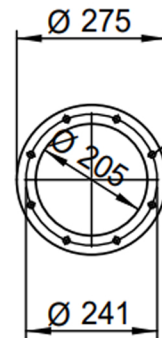
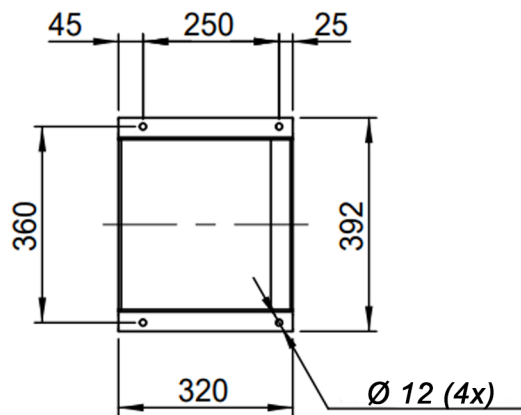
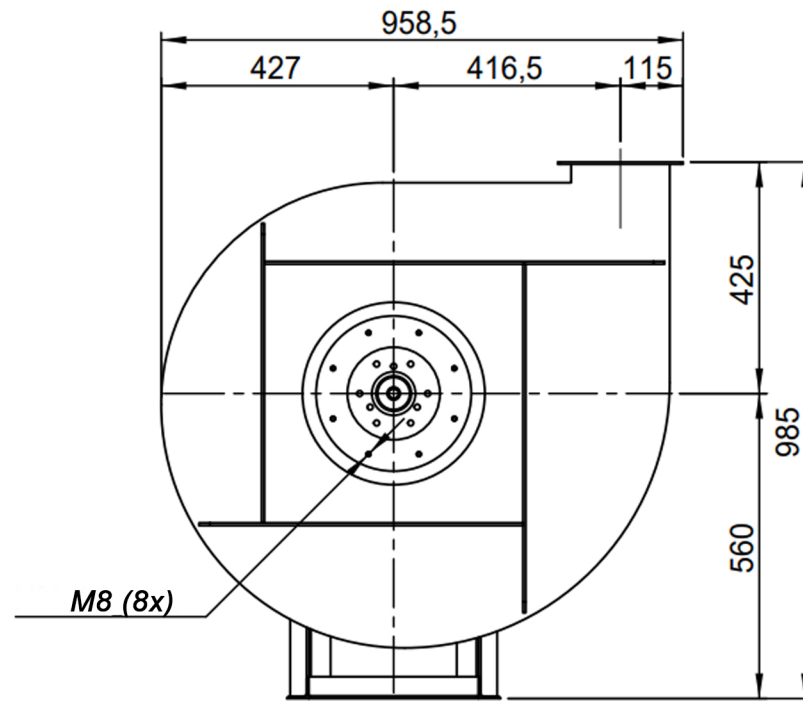
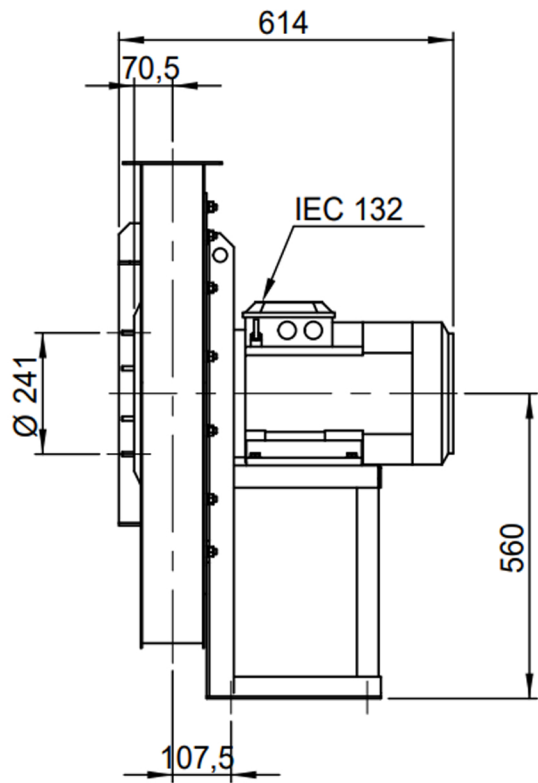
**Possible discharge positions:**



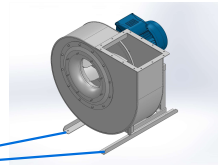
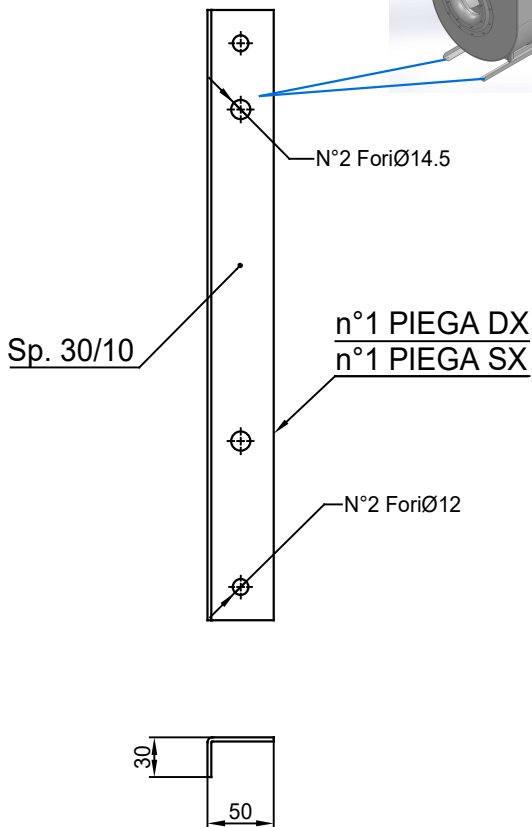
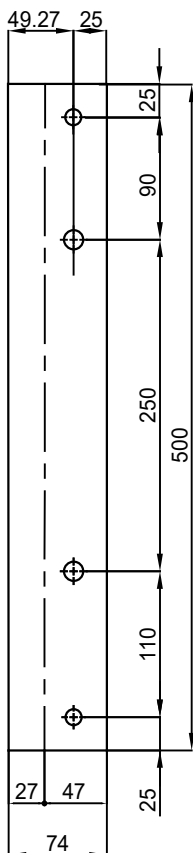
\* (Pos 180 and 225 extra price)

**Possible accessories**

|   |                           |
|---|---------------------------|
| Mounting profiles for load distribution     | STF AP13201ST             |
| Counterflange inlet/outlet                  | zz Ø200 / pz 160x112      |
| Flexible connection inlet/outlet max. 80°C  | zz Ø250 / pz Ø250         |
| Anti-vibration mountings                    | 4x 40x30/B/70° ShA        |
| Inspectiondoor                              |                           |
| Drain connection                            |                           |
| Shaft seal without asbestos                 |                           |
| Coolingwheel (medium max. 150°C)            | ( incl. coating RAL9006 ) |
| Flexible connection inlet/outlet max. 150°C | zz Ø250 / pz Ø250         |
| ATEX version                                | Zone 1 / 2 / 21 / 22      |
| ATEX motor                                  | Ex nA / Exe / Ex de       |
| Coating suitable for outdoor application    | RAL 5010 / RAL ....       |
| Stainless steel version                     | 304 / 316 / ...           |
| Acoustic enclosure                          |                           |



|   |                           |  |                      |
|---|---------------------------|--|----------------------|
| DESCRIPTION-BESCHRIJVING<br><b>APF631/B - RD0</b>         | SCHAAL<br><b>1:14</b>     | GEMAAKT - PREPARED<br><b>Overmeer E.</b> | FORMAAT<br><b>A4</b> |
|   | DATUM<br><b>8/11/2023</b> |  | REV.<br><b>00</b>    |
| N.TEKENING - N.DRAWING<br><b>Slingerland ventilatoren</b> |                           | V1APF631/B                               |                      |



COMM.  
N°

|  |             |                           |                                  |                    |                      |         |
|--|-------------|---------------------------|----------------------------------|--------------------|----------------------|---------|
| 00   | 02/02/2016  | PRIMA EMISSIONE           |                                  | RK                 | RK                   |         |
| 01   | 16/09/2020  | Extension pedestal        |                                  | MvS                | MvS                  |         |
| REV  | DATA - DATE | DESCRIZIONE - DESCRIPTION |                                  | DISEGNATO PREPARED | CONTROLLATO CHECKED  |         |
| DESCRIZIONE - DESCRIPTION                      |             |                           | MATERIALE - MATERIAL             | NR. FILE           | PESO - WEIGHT        |         |
| DESCRIZIONE - DESCRIPTION                      |             |                           | Fe 360                           |                    | Kg                   |         |
| Staffe per Puffer L=500<br>IEC 132 / AP series |             |                           | SCALA                            | 1.4                | DISEGNATO - PREPARED | FORMATO |
|  |             |                           | DATA                             | 02/02/2016         | RK                   | A4      |
|  |             |                           | SOSTITUISCE IL - REPLACES THE N° |                    |                      |         |
|  |             |                           | SOSTITUITO DAL - REPLACES BY N°  |                    |                      |         |
| N. DISEGNO - N. DRAWING                        |             |                           |                                  | REV.               |                      |         |
| STF-AP13201ST                                  |             |                           |                                  | 01                 |                      |         |

