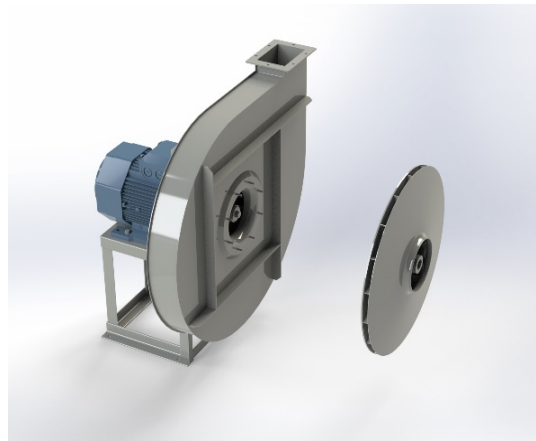


## APF 561A



### Centrifugal fan model APF Es.4

Single inlet fan, direct driven with an IEC-standard motor in form B3 which is mounted on a motorbase. The overhang impeller is mounted on the motor shaft and has forward curved blades. De blades are welded between the back plate disc and the aerodynamically formed front plate. The fan is suitable for pneumatic transport, in cement plants, in the air supply of cabinets, in foundries and in oil burners, in mills, in pasta factories, in the chemical, iron and steel industry, in the metallurgical industry where small flows with medium and high pressure are required.

#### General data:

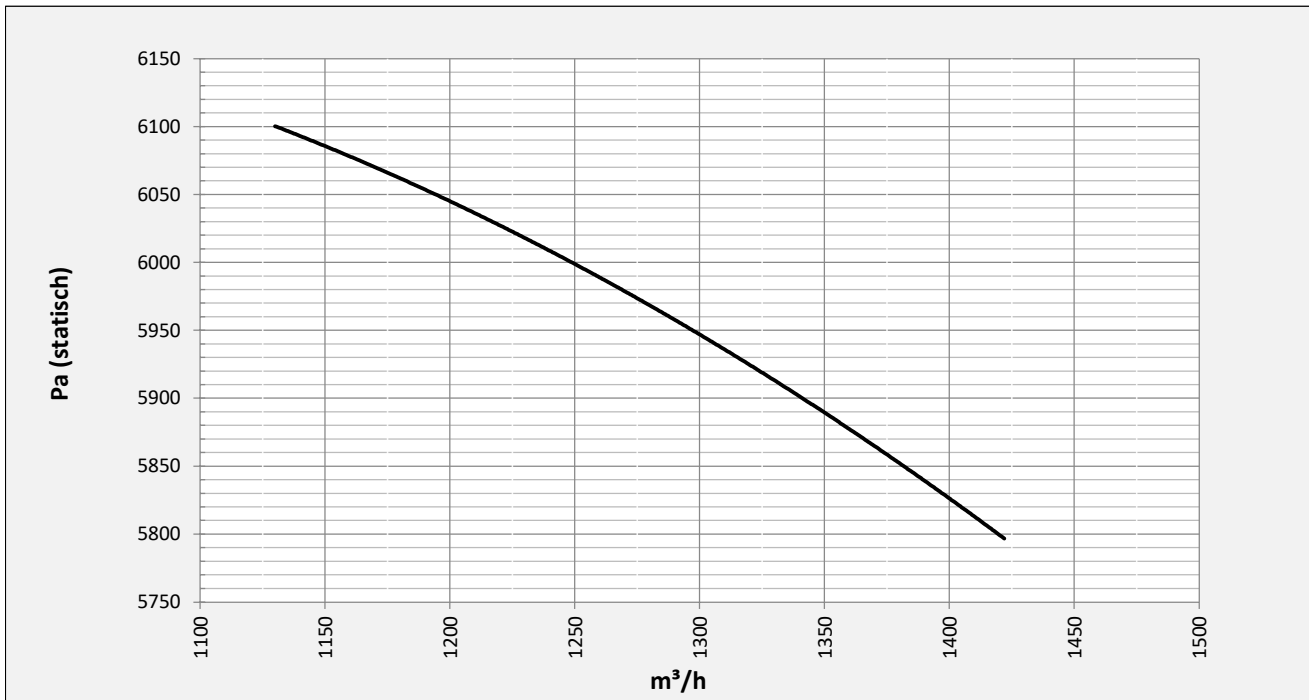
Drive	direct
Motor position	horizontal
Material casing/base	Steel
Material impeller/hub	Steel
Motorcoating/protection	RAL 7037
Operating temperature (max.)	15 (80) °C
Medium density (altitude 0 m)	1,226 kg/m <sup>3</sup>
Impeller speed	2900 rpm
Weight	107 kg
Sound pressure level ±3	79 dB(A)

*(at 1,5 m near the fan with inlet and outlet ducted, in free field)*

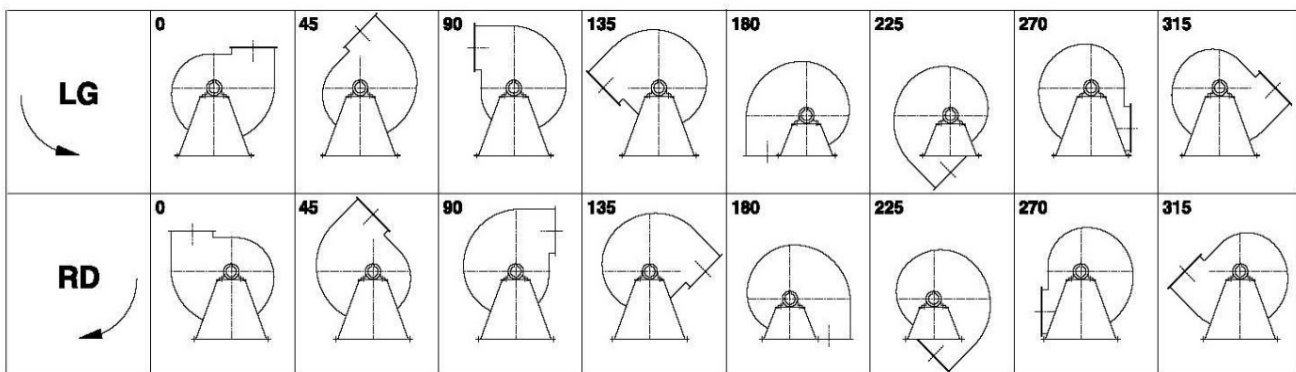
#### Electric motor:

	112M	IEC
Power	4	kW
Motor speed	2.900	rpm
Electric supply	3x400V50Hz	V/Hz
Full load current	7,59	A
Enclosure	55	IP
Shape	B3T	
Efficiency class	IE3	

**Curve APF 561A @ 2900rpm @ 15°C @ 0m**



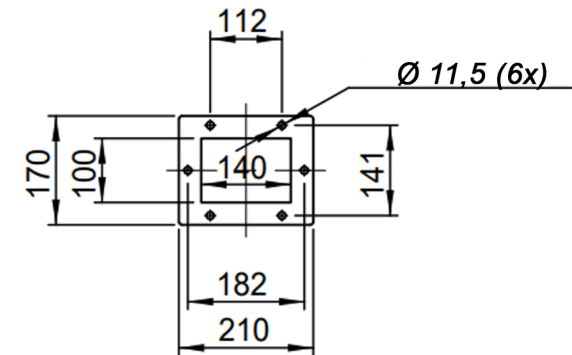
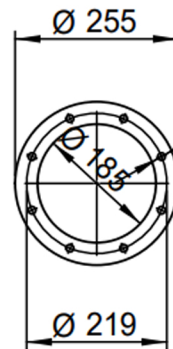
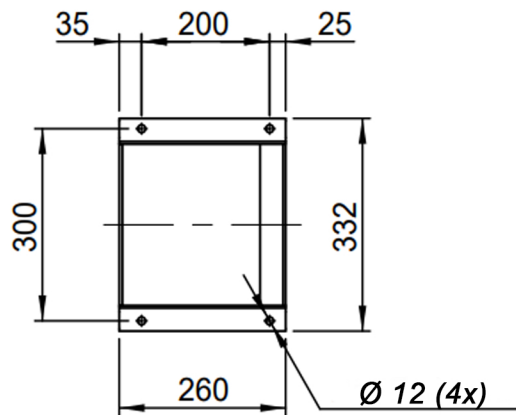
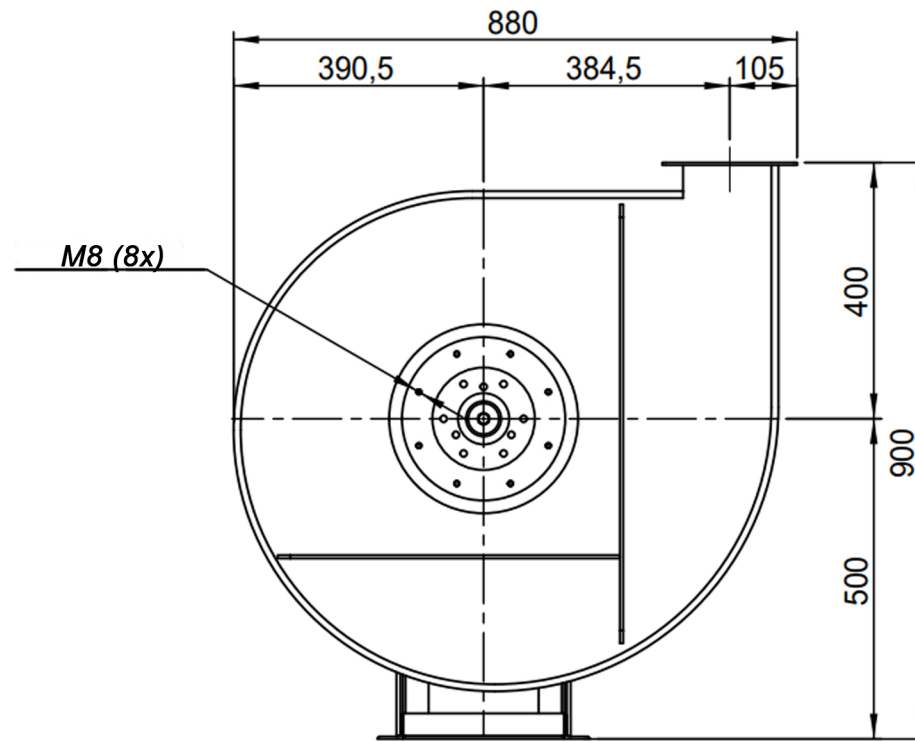
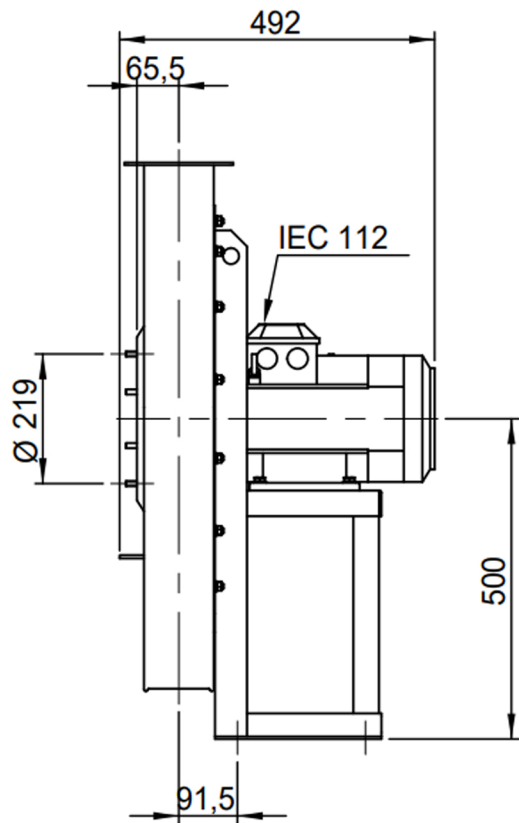
**Possible discharge positions:**




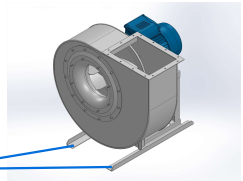
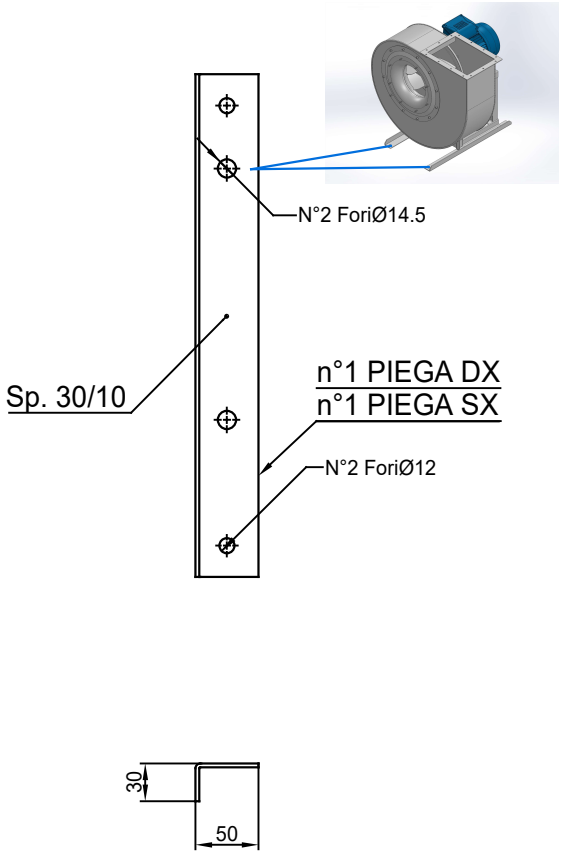
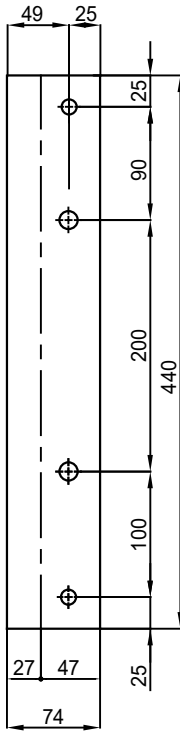
\* (Pos 180 and 225 extra price)

**Possible accessories**

Mounting profiles for load distribution	STF AP10011201ST
Counterflange inlet/outlet	zz Ø180 / pz 140x100
Flexible connection inlet/outlet max. 80°C	zz Ø200 / pz Ø200
Anti-vibration mountings	4x 30x20/B/55° ShA
Inspection door	
Drain connection	
Shaft seal without asbestos	
Cooling wheel (medium max. 150°C)	( incl. coating RAL9006 )
Flexible connection inlet/outlet max. 150°C	zz Ø200 / pz Ø200
ATEX version	Zone 1 / 2 / 21 / 22
ATEX motor	Ex nA / Exe / Ex de
Coating suitable for outdoor application	RAL 5010 / RAL ....
Stainless steel version	304 / 316 / ...
Acoustic enclosure	



DESCRIPTION-BESCHRIJVING	SCHAAL	GEMAAKT - PREPARED	FORMAAT
<b>APF561/A - RD0</b>	1:12	Overmeer E.	A4
	DATUM		
	8/11/2023		
N.TEKENING - N.DRAWING		REV.	
		<b>V1APF561/A</b>	
		00	



COMM.  
N°

00	02/02/2016	PRIMA EMISSIONE		RK	RK
01	16/09/2020	Extention pedestal		MvS	MvS
REV	DATA - DATE	DESCRIZIONE - DESCRIPTION		DISEGNATO PREPARED	CONTROLLATO CHECKED
DESCRIZIONE - DESCRIPTION			MATERIALE - MATERIAL	NR.FILE	PESO - WEIGHT
DESCRIZIONE - DESCRIPTION			Fe 360		Kg
Staffe per Puffer L=440 IEC 100-112 / AP series			SCALA	1:4	DISEGNATO - PREPARED
			DATA	02/02/2016	RK
			SOSTITUISCE IL - REPLACED THE N°		
			SOSTITUITO DAL - REPLACES BY N°		
N.DISEGNO - N.DRAWING				REV.	
STF-AP10011201ST				01	

