

Technical parameters

Unit name: AmberAir Compact 1-CXP CD50 RF1B1E1C1P
 Art.no: AHU000024

Date: 2020-06-02
 Order number



Air flow [l/s]

Air flow [l/s]

Pressure [Pa]

Pressure [Pa]

Air flow [m3/h]

Air flow [m3/h]

Technical parameters

Heater	Phases/Voltage	1	230/50
Fans	Phases/Voltage	1	230/50
supply	-Power/Current	[kW/A]	0.38/2.5
exhaust	-Power/Current	[kW/A]	0.38/2.5
Motor protection class			IP-54
Thermal efficiency			-%
Max power consumption		[kW/A]	2.76/13.72
Filter class	-supply		ePM1 70% (F7)
	-exhaust		ePM10 55% (M5)
Thermal insulation		[mm]	50
Weight		[kg]	215

Climate data

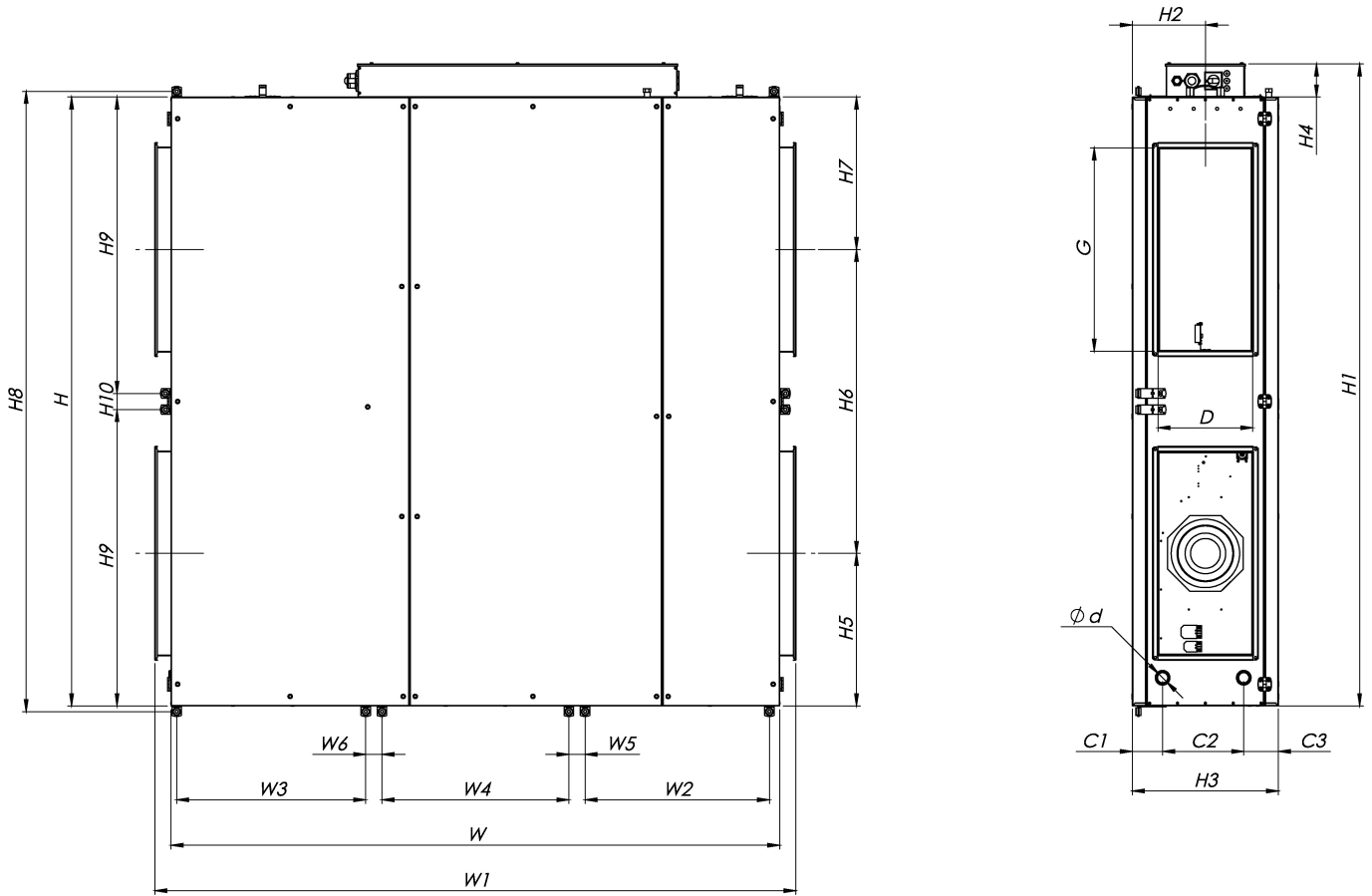
	Winter	Summer
Air flow	-23°C	32°C
Fresh air relative humidity	90 %	60 %
Extract air temperature	20°C	20°C
Extract air relative humidity	60 %	60 %

Technical parameters

Unit name: AmberAir Compact 1-CXP CD50 RF1B1E1C1P
 Art.no: AHU000024

Date: 2020-06-02
 Order number

Dimensions



G	D	H	W	H1	H2	H3	H4	H5	H6	H7	H8	H9	H10	W1	W2	W3	W4	W5	W6	∅d	C1	C2	C3
500	250	1397	1750	1534	213	426.3	137	498	851	448	1439	-	-	1852	195	195	-	-	-	46	121.4	166.7	138